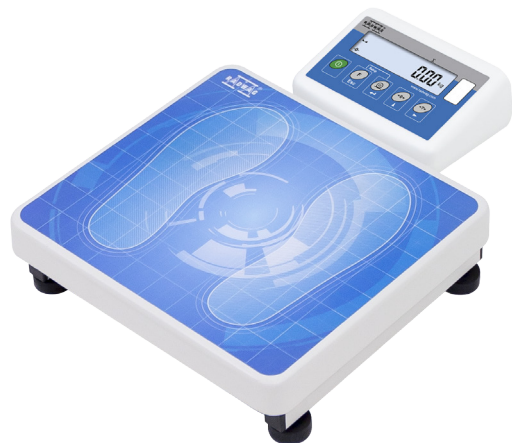


# WPT/O, WPT/OW Personal Scales

Reliable body weight measurement and BMI calculation  
Product in the Register of Medicinal Products.



WPT/O  
indicator next to the platform



WPT/OW  
indicator on a post



WPT/OW  
telescopic height rod



PUE C/31  
indicator with LCD display  
in ABS housing

## Functions



Parts  
counting



Percent  
weighing



Totalizing



In-built  
battery



+/- Control



Peak hold



BMI  
determination



Replaceable  
units

## Features

### Multi-Functional Scale

WPT/O and WPT/OW scales enable weight measurement of children and adults. The scales have a certificate confirming their registration in the Register of Medicinal Products. They are intended for healthcare and sport facilities, doctors' offices and schools.

### Body Mass Index Determination

OW series enables determination of Body Mass Index (BMI) of adults higher than 1 m.

### Cooperation with PUE C/31 Indicator

The scale can be operated via uncomplicated and reliable PUE C/31 indicator housed in an ABS housing.

### Uncomplicated Operation and Clear Presentation of Indications

Due to a backlit LCD display the measurement result is clearly visible. Easy operation enables fast and reliable measurements to be carried out even by an inexperienced operator.

### Uninterrupted Operation due to an Internal Battery

Integrated battery of the weighing indicator enables several hours long mobile operation.

## Technical Specifications

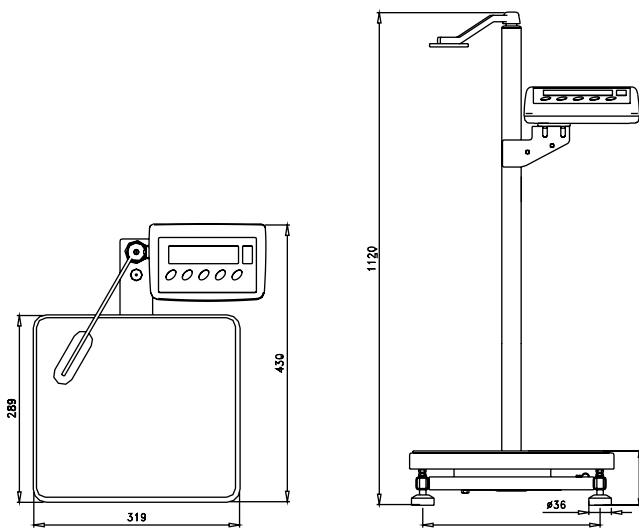
	WPT 60/150 O	WPT 60/150 OW
Maximum capacity [Max]	60 kg / 150 kg	60 kg / 150 kg
Minimum capacity	10 g	10 g
Readability [d]	20 g / 50 g	20 g / 50 g
Max readability for non-verified scale	–	–
Verification unit [e]	20 g / 50 g	20 / 50 g
Tare range	–150 kg	–150 kg
Verification	Yes	Yes
OIML class	III	III
Design material	powder-coated steel St3S	powder-coated steel St3S
Weighing pan material	powder-coated steel St3S	powder-coated steel St3S
Indicator fastening	to the platform	on a post
Height rod measuring range	–	100 ÷ 200 cm
Height rod scale	–	0.5 cm
Display	LCD (with backlight)	LCD (with backlight)
Keyboard	5 keys	5 keys
Indicator	PUE C/31	PUE C/31
Ingress protection - design	IP 65	IP 65
Ingress protection - indicator	IP 43	IP 43
RS 232	1	1
Power supply	100 ÷ 240 V AC 50 ÷ 60 Hz / 12 V DC + battery	100 ÷ 240 V AC 50 ÷ 60 Hz / 12 V DC + battery
Battery operation time	35 hours	35 hours
Power consumption	6 W	6 W
Operating temperature	0 ÷ +40 °C	0 ÷ +40 °C
Relative humidity **	10 ÷ 85%	10 ÷ 85%
Transport and storage temperature	–10 ÷ +50 °C	–10 ÷ +50 °C
Weighing pan dimensions	289 × 319 mm	289 × 319 mm
Indicator dimensions	181 × 136 × 60 mm	181 × 136 × 60 mm
Overall dimensions	431 × 319 × 92 mm	430 × 319 × 1120 mm
Net weight	6.5 kg	7.8 kg
Gross weight	8 kg	9.5 kg
Packaging dimensions	50 × 42 × 16 cm	115 × 40 × 110 cm

\* non-condensing conditions

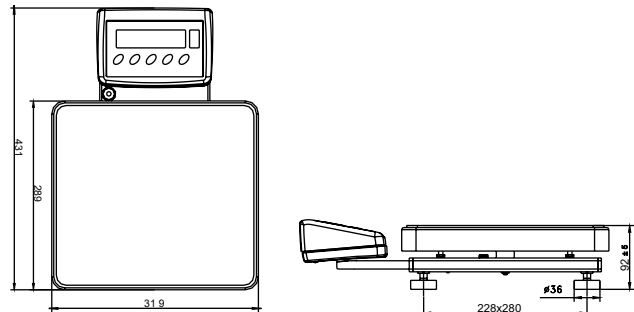
	<b>WPT 100/200 O</b>	<b>WPT 100/200 OW</b>
<b>Maximum capacity [Max]</b>	100 kg / 200 kg	100 kg / 200 kg
<b>Minimum capacity</b>	40 g	40 g
<b>Readability [d]</b>	50 g / 100 g	50 g / 100 g
<b>Max readability for non-verified scale</b>	–	–
<b>Verification unit [e]</b>	50 g / 100 g	50 / 100 g
<b>Tare range</b>	–200 kg	–200 kg
<b>Verification</b>	Yes	Yes
<b>OIML class</b>	III	III
<b>Design material</b>	powder-coated steel St3S	powder-coated steel St3S
<b>Weighing pan material</b>	powder-coated steel St3S	powder-coated steel St3S
<b>Indicator fastening</b>	to the platform	on a post
<b>Height rod measuring range</b>	–	100 ÷ 200 cm
<b>Height rod scale</b>	–	0.5 cm
<b>Display</b>	LCD (with backlight)	LCD (with backlight)
<b>Keyboard</b>	5 keys	5 keys
<b>Indicator</b>	PUE C/31	PUE C/31
<b>Ingress protection - design</b>	IP 65	IP 65
<b>Ingress protection - indicator</b>	IP 43	IP 43
<b>RS 232</b>	1	1
<b>Power supply</b>	100 ÷ 240 V AC 50 ÷ 60 Hz / 12 V DC + battery	100 ÷ 240 V AC 50 ÷ 60 Hz / 12 V DC + battery
<b>Battery operation time</b>	35 hours	35 hours
<b>Power consumption</b>	6 W	6 W
<b>Operating temperature</b>	0 ÷ +40 °C	0 ÷ +40 °C
<b>Relative humidity **</b>	10 ÷ 85%	10 ÷ 85%
<b>Transport and storage temperature</b>	–10 ÷ +50 °C	–10 ÷ +50 °C
<b>Weighing pan dimensions</b>	289 × 319 mm	289 × 319 mm
<b>Indicator dimensions</b>	181 × 136 × 60 mm	181 × 136 × 60 mm
<b>Overall dimensions</b>	431 × 319 × 92 mm	430 × 319 × 1120 mm
<b>Net weight</b>	6.5 kg	7.8 kg
<b>Gross weight</b>	8 kg	9.5 kg
<b>Packaging dimensions</b>	50 × 42 × 16 cm	115 × 40 × 110 cm

\* non-condensing conditions

## Dimensions



WPT/OW



WPT/O

## Accessories

### Peripheral Devices

- Epson printer
- LCD – WD-4/1 display (backlit)
- WVG-2/7 large-size display

### Cables, Converters

- RS-232 – P0108 computer cable
- RS-232 – P0151 Epson printer cable
- RS232 – KR-04-1 converter

- RS232/RS485 – KR-01 converter
- AP2-1 – current loop unit
- K0047 – cigarette lighter cable

### Remaining accessories

- stands for indicators
- weighing Tables

## Dedicated Software

### R-LAB

- collecting measurements
- carrying out statistical analysis of measurements
- customized graphs and reports

### LabView Driver

- operation of RADWAG balances in LabView environment

### Scale editor

- Software designed to enable change of parameters in the PUEC/31 indicator.

### Radwag Development Studio

- presentation of functions (and subfunctions) of communication protocol (Common Communication Protocol)
- possibility of connection with weighing equipment on which each function is carried out,
- library with mass control, contained within the development environment
- complete documentation of the communication protocol
- set of user manuals for different solutions addressed for programmers employed in companies using RADWAG-manufactured weighing equipment

### RADWAG Connect

- establishing communication with all balances, scales and weighing modules using Common Communication Protocol
- communication via local network,
- support of basic functions
- auto searching for devices
- connecting with few devices simultaneously, swapping between them
- clear list of connected platforms
- record of measurements in the program,
- export of carried out measurements to CSV file,
- work performed using freely selected device with Windows 10 operating system

### RAD KEY

- Establishing cooperation between a weighing instrument and a computer

### R.Barcode

- The basic function software is presentation of the data sent by barcode scanners connected to PC via USB or RS232