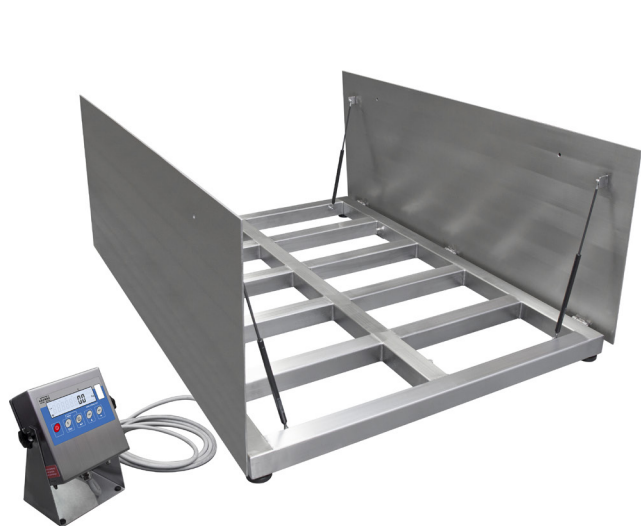


Stainless Steel WPT/4 H/Z

4 Load Cell Platform Scale, Pit Version



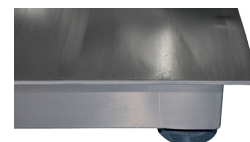
Measurements of large loads in moist environment
Installation in the ground and access to scale design



WPT/4 /HZ



Opened weighing pan



Stainless steel platform and weighing pan



PUE C/31H indicator with LCD display in stainless steel housing

Functions

- Parts counting
- Percent weighing
- Totalizing
- In-built battery
- Replaceable units
- +/- control
- Animal weighing
- Peak hold
- Stainless steel design

Features

Precise Weighing Indications in Challenging Industrial Conditions

Mass measurement carried out using 4 load cells guarantees weighing accuracy regardless positioning of the load on the platform. The scale ensures precise and fast mass measurement in challenging industrial conditions.

Robustness and Resistance to Ambient Conditions

Robust platform made of stainless steel allows to operate large loads in moist environment and at direct contact with water (e.g. meat and fish industry).

Versatility of Use

The scale can be embedded in the ground which enables easy entry of the loads without a necessity for ramps application. Opened weighing pan enables easy access to scale mechanical design. This option is useful for maintenance purposes and allows to keep the scale clean.

Cooperation with PUE C/31 H Indicator

The scale can be operated via uncomplicated and reliable PUE C/31 H indicator housed in a stainless steel housing.

Uninterrupted Operation due to an Internal Battery

Integrated battery of the weighing indicator enables several hours long mobile operation.

Ergonomics and Comfort of Operation

With use of a long cable it is possible to locate the indicator in a place facilitating convenient operation or on the wall. An additional accessory enables placing the indicator on a stand.

Customizable Instrument

Numerous variants of weighing pan dimensions and broad range of maximum capacities enable selecting the best weighing instrument suiting specific requirements and needs.

Uncomplicated Operation and Clear Presentation of Indications

Due to a backlit LCD display the measurement result is clearly visible. Easy operation enables fast and reliable measurements to be carried out even by an inexperienced operator

Technical Specifications

	WPT/4 150 H6/Z	WPT/4 300 H6/Z	WPT/4 600 H6/Z*
Maximum capacity [Max]	150 kg	300 kg	600 kg
Minimum capacity	1 kg	2 kg	4 kg
Readability [d]	50 g	100 g	200 g
Max readability for non-verified scale	20 g	20 g	50 g
Verification unit [e]	50 g	100 g	200 g
Tare range	-150 kg	-300 kg	-600 kg
Verification	Yes	Yes	Yes
OIML class	III	III	III
Platform material	AISI304 stainless steel	AISI304 stainless steel	AISI304 stainless steel
Weighing pan material	AISI304 stainless steel	AISI304 stainless steel	AISI304 stainless steel
Indicator fastening	3 m cable	3 m cable	3 m cable
Display	LCD (with backlight)	LCD (with backlight)	LCD (with backlight)
Keyboard	5 keys	5 keys	5 keys
Indicator	PUE C/31H	PUE C/31H	PUE C/31H
Ingress protection - platform	IP 68	IP 68	IP 68
Ingress protection - indicator	IP 68/69	IP 68/69	IP 68/69
RS 232	1	1	1
Power supply	100 ÷ 240 V AC 50 ÷ 60 Hz / 12 V DC + battery	100 ÷ 240 V AC 50 ÷ 60 Hz / 12 V DC + battery	100 ÷ 240 V AC 50 ÷ 60 Hz / 12 V DC + battery
Battery operation time	45 hours	45 hours	45 hours
Power consumption	6 W	6 W	6 W
Operating temperature	-10 ÷ +40 °C	-10 ÷ +40 °C	-10 ÷ +40 °C
Relative humidity**	10 ÷ 85%	10 ÷ 85%	10 ÷ 85%
Transport and storage temperature	-10 ÷ +50 °C	-10 ÷ +50 °C	-10 ÷ +50 °C
Weighing pan dimensions	800 × 800 mm	800 × 800 mm	800 × 800 mm
Platform opening	Single-leaf	Single-leaf	Single-leaf
Indicator dimensions	226 × 250 × 120 mm	226 × 250 × 120 mm	226 × 250 × 120 mm
Net weight	60 kg	60 kg	60 kg
Gross weight	100 kg	100 kg	100 kg
Packaging dimensions	1000 × 1000 × 430 mm	1000 × 1000 × 430 mm	1000 × 1000 × 430 mm
Frame weight	16 kg	16 kg	16 kg

* option: dual range weighing instrument

** non-condensing conditions

	WPT/4 150 H7/Z	WPT/4 300 H7/Z	WPT/4 600 H7/Z*
Maximum capacity [Max]	150 kg	300 kg	600 kg
Minimum capacity	1 kg	2 kg	4 kg
Readability [d]	50 g	100 g	200 g
Max readability for non-verified scale	20 g	20 g	50 g
Verification unit [e]	50 g	100 g	200 g
Tare range	-150 kg	-300 kg	-600 kg
Verification	Yes	Yes	Yes
OIML class	III	III	III
Platform material	AISI304 stainless steel	AISI304 stainless steel	AISI304 stainless steel
Weighing pan material	AISI304 stainless steel	AISI304 stainless steel	AISI304 stainless steel
Indicator fastening	3 m cable	3 m cable	3 m cable
Display	LCD (with backlight)	LCD (with backlight)	LCD (with backlight)
Keyboard	5 keys	5 keys	5 keys
Indicator	PUE C/31H	PUE C/31H	PUE C/31H
Ingress protection - platform	IP 68	IP 68	IP 68
Ingress protection - indicator	IP 68/69	IP 68/69	IP 68/69
RS 232	1	1	1
Power supply	100 ÷ 240 V AC 50 ÷ 60 Hz / 12 V DC + battery	100 ÷ 240 V AC 50 ÷ 60 Hz / 12 V DC + battery	100 ÷ 240 V AC 50 ÷ 60 Hz / 12 V DC + battery
Battery operation time	45 hours	45 hours	45 hours
Power consumption	6 W	6 W	6 W
Operating temperature	-10 ÷ +40 °C	-10 ÷ +40 °C	-10 ÷ +40 °C
Relative humidity**	10 ÷ 85%	10 ÷ 85%	10 ÷ 85%
Transport and storage temperature	-10 ÷ +50 °C	-10 ÷ +50 °C	-10 ÷ +50 °C
Weighing pan dimensions	1000 × 1000 mm	1000 × 1000 mm	1000 × 1000 mm
Platform opening	Single-leaf	Single-leaf	Single-leaf
Indicator dimensions	226 × 250 × 120 mm	226 × 250 × 120 mm	226 × 250 × 120 mm
Net weight	85 kg	85 kg	85 kg
Gross weight	130 kg	130 kg	130 kg
Packaging dimensions	1200 × 1200 × 430 mm	1200 × 1200 × 430 mm	1200 × 1200 × 430 mm
Frame weight	18 kg	18 kg	18 kg

* option: dual range weighing instrument

** non-condensing conditions

	WPT/4 1500 H7/Z*	WPT/4 300 H8/Z	WPT/4 600 H8/Z*
Maximum capacity [Max]	1500 kg	300 kg	600 kg
Minimum capacity	10 kg	2 kg	4 kg
Readability [d]	500 g	100 g	200 g
Max readability for non-verified scale	100 g	20 g	50 g
Verification unit [e]	500 g	100 g	200 g
Tare range	-1500 kg	-300 kg	-600 kg
Verification	Yes	Yes	Yes
OIML class	III	III	III
Platform material	AISI304 stainless steel	AISI304 stainless steel	AISI304 stainless steel
Weighing pan material	AISI304 stainless steel	AISI304 stainless steel	AISI304 stainless steel
Indicator fastening	3 m cable	3 m cable	3 m cable
Display	LCD (with backlight)	LCD (with backlight)	LCD (with backlight)
Keyboard	5 keys	5 keys	5 keys
Indicator	PUE C/31H	PUE C/31H	PUE C/31H
Ingress protection - platform	IP 68	IP 68	IP 68
Ingress protection - indicator	IP 68/69	IP 68/69	IP 68/69
RS 232	1	1	1
Power supply	100 ÷ 240 V AC 50 ÷ 60 Hz / 12 V DC + battery	100 ÷ 240 V AC 50 ÷ 60 Hz / 12 V DC + battery	100 ÷ 240 V AC 50 ÷ 60 Hz / 12 V DC + battery
Battery operation time	45 hours	45 hours	45 hours
Power consumption	6 W	6 W	6 W
Operating temperature	-10 ÷ +40 °C	-10 ÷ +40 °C	-10 ÷ +40 °C
Relative humidity**	10 ÷ 85%	10 ÷ 85%	10 ÷ 85%
Transport and storage temperature	-10 ÷ +50 °C	-10 ÷ +50 °C	-10 ÷ +50 °C
Weighing pan dimensions	1000 × 1000 mm	1200 × 1200 mm	1200 × 1200 mm
Platform opening	Single-leaf	Single-leaf	Single-leaf
Indicator dimensions	226 × 250 × 120 mm	226 × 250 × 120 mm	226 × 250 × 120 mm
Net weight	95 kg	125 kg	125 kg
Gross weight	140 kg	180 kg	180 kg
Packaging dimensions	1200 × 1200 × 430 mm	1400 × 1400 × 430 mm	1400 × 1400 × 430 mm
Frame weight	18 kg	20 kg	20 kg

* option: dual range weighing instrument

** non-condensing conditions

	WPT/4 1500 H8/Z*	WPT/4 3000 H8/Z*	WPT/4 300 H8/9/Z*
Maximum capacity [Max]	1500 kg	3000 kg	300 kg
Minimum capacity	10 kg	20 kg	2 kg
Readability [d]	500 g	1 kg	100 g
Max readability for non-verified scale	100 g	200 g	20 g
Verification unit [e]	500 g	1 kg	100 g
Tare range	-1500 kg	-3000 kg	-300 kg
Verification	Yes	Yes	Yes
OIML class	III	III	III
Platform material	AISI304 stainless steel	AISI304 stainless steel	AISI304 stainless steel
Weighing pan material	AISI304 stainless steel	AISI304 stainless steel	AISI304 stainless steel
Indicator fastening	3 m cable	3 m cable	3 m cable
Display	LCD (with backlight)	LCD (with backlight)	LCD (with backlight)
Keyboard	5 keys	5 keys	5 keys
Indicator	PUE C/31H	PUE C/31H	PUE C/31H
Ingress protection - platform	IP 68	IP 68	IP 68
Ingress protection - indicator	IP 68/69	IP 68/69	IP 68/69
RS 232	1	1	1
Power supply	100 ÷ 240 V AC 50 ÷ 60 Hz / 12 V DC + battery	100 ÷ 240 V AC 50 ÷ 60 Hz / 12 V DC + battery	100 ÷ 240 V AC 50 ÷ 60 Hz / 12 V DC + battery
Battery operation time	45 hours	45 hours	45 hours
Power consumption	6 W	6 W	6 W
Operating temperature	-10 ÷ +40 °C	-10 ÷ +40 °C	-10 ÷ +40 °C
Relative humidity**	10 ÷ 85%	10 ÷ 85%	10 ÷ 85%
Transport and storage temperature	-10 ÷ +50 °C	-10 ÷ +50 °C	-10 ÷ +50 °C
Weighing pan dimensions	1200 × 1200 mm	1200 × 1200 mm	1200 × 1500 mm
Platform opening	Single-leaf	Single-leaf	Double-leaf
Indicator dimensions	226 × 250 × 120 mm	226 × 250 × 120 mm	226 × 250 × 120 mm
Net weight	125 kg	130 kg	155 kg
Gross weight	180 kg	190 kg	220 kg
Packaging dimensions	1400 × 1400 × 430 mm	1400 × 1400 × 430 mm	1700 × 1400 × 430 mm
Frame weight	20 kg	20 kg	21 kg

* option: dual range weighing instrument

** non-condensing conditions

	WPT/4 600 H8/9/Z*	WPT/4 1500 H8/9/Z*	WPT/4 3000 H8/9/Z*
Maximum capacity [Max]	600 kg	1500 kg	3000 kg
Minimum capacity	4 kg	10 kg	20 kg
Readability [d]	200 g	500 kg	1000 g
Max readability for non-verified scale	50 g	100 g	200 g
Verification unit [e]	200 g	500 g	1000 g
Tare range	-600 kg	-1500 kg	-3000 kg
Verification	Yes	Yes	Yes
OIML class	III	III	III
Platform material	AISI304 stainless steel	AISI304 stainless steel	AISI304 stainless steel
Weighing pan material	AISI304 stainless steel	AISI304 stainless steel	AISI304 stainless steel
Indicator fastening	3 m cable	3 m cable	3 m cable
Display	LCD (with backlight)	LCD (with backlight)	LCD (with backlight)
Keyboard	5 keys	5 keys	5 keys
Indicator	PUE C/31H	PUE C/31H	PUE C/31H
Ingress protection - platform	IP 68	IP 68	IP 68
Ingress protection - indicator	IP 68/69	IP 68/69	IP 68/69
RS 232	1	1	1
Power supply	100 ÷ 240 V AC 50 ÷ 60 Hz / 12 V DC + battery	100 ÷ 240 V AC 50 ÷ 60 Hz / 12 V DC + battery	100 ÷ 240 V AC 50 ÷ 60 Hz / 12 V DC + battery
Battery operation time	45 hours	45 hours	45 hours
Power consumption	6 W	6 W	6 W
Operating temperature	-10 ÷ +40 °C	-10 ÷ +40 °C	-10 ÷ +40 °C
Relative humidity**	10 ÷ 85%	10 ÷ 85%	10 ÷ 85%
Transport and storage temperature	-10 ÷ +50 °C	-10 ÷ +50 °C	-10 ÷ +50 °C
Weighing pan dimensions	1200 × 1500 mm	1200 × 1500 mm	1200 × 1500 mm
Platform opening	Double-leaf	Double-leaf	Double-leaf
Indicator dimensions	226 × 250 × 120 mm	226 × 250 × 120 mm	226 × 250 × 120 mm
Net weight	155 kg	155 kg	160 kg
Gross weight	220 kg	220 kg	230 kg
Packaging dimensions	1700 × 1400 × 430 mm	1700 × 1400 × 430 mm	1700 × 1400 × 450 mm
Frame weight	21 kg	21 kg	29 kg

* option: dual range weighing instrument

** non-condensing conditions

	WPT/4 300 H9/Z*	WPT/4 600 H9/Z*	WPT/4 1500 H9/Z*
Maximum capacity [Max]	300 kg	600 kg	1500 kg
Minimum capacity	2 kg	4 kg	10 kg
Readability [d]	100 g	200 g	500 g
Max readability for non-verified scale	50 g	50 g	100 g
Verification unit [e]	100 g	200 g	500 g
Tare range	-300 kg	-600 kg	-1500 kg
Verification	Yes	Yes	Yes
OIML class	III	III	III
Platform material	AISI304 stainless steel	AISI304 stainless steel	AISI304 stainless steel
Weighing pan material	AISI304 stainless steel	AISI304 stainless steel	AISI304 stainless steel
Indicator fastening	3 m cable	3 m cable	3 m cable
Display	LCD (with backlight)	LCD (with backlight)	LCD (with backlight)
Keyboard	5 keys	5 keys	5 keys
Indicator	PUE C/31H	PUE C/31H	PUE C/31H
Ingress protection - platform	IP 68	IP 68	IP 68
Ingress protection - indicator	IP 68/69	IP 68/69	IP 68/69
RS 232	1	1	1
Power supply	100 ÷ 240 V AC 50 ÷ 60 Hz / 12 V DC + battery	100 ÷ 240 V AC 50 ÷ 60 Hz / 12 V DC + battery	100 ÷ 240 V AC 50 ÷ 60 Hz / 12 V DC + battery
Battery operation time	45 hours	45 hours	45 hours
Power consumption	6 W	6 W	6 W
Operating temperature	-10 ÷ +40 °C	-10 ÷ +40 °C	-10 ÷ +40 °C
Relative humidity**	10 ÷ 85%	10 ÷ 85%	10 ÷ 85%
Transport and storage temperature	-10 ÷ +50 °C	-10 ÷ +50 °C	-10 ÷ +50 °C
Weighing pan dimensions	1500 × 1500 mm	1500 × 1500 mm	1500 × 1500 mm
Platform opening	Double-leaf	Double-leaf	Double-leaf
Indicator dimensions	226 × 250 × 120 mm	226 × 250 × 120 mm	226 × 250 × 120 mm
Net weight	190 kg	190 kg	190 kg
Gross weight	250 kg	250 kg	250 kg
Packaging dimensions	1700 × 1700 × 430 mm	1700 × 1700 × 430 mm	1700 × 1700 × 430 mm
Frame weight	23 kg	23 kg	23 kg

* option: dual range weighing instrument

** non-condensing conditions

	WPT/4 3000 H9/Z*	WPT/4 6000 H9/Z*	WPT/4 600 H10/Z
Maximum capacity [Max]	3000 kg	6000 kg	600 kg
Minimum capacity	20 kg	40 kg	4 kg
Readability [d]	1000 g	2 kg	200 g
Max readability for non-verified scale	200 g	500 g	50 g
Verification unit [e]	1000 g	2 kg	200 g
Tare range	-3000 kg	-6000 kg	-600 kg
Verification	Yes	Yes	Yes
OIML class	III	III	III
Platform material	AISI304 stainless steel	AISI304 stainless steel	AISI304 stainless steel
Weighing pan material	AISI304 stainless steel	AISI304 stainless steel	AISI304 stainless steel
Indicator fastening	3 m cable	3 m cable	3 m cable
Display	LCD (with backlight)	LCD (with backlight)	LCD (with backlight)
Keyboard	5 keys	5 keys	5 keys
Indicator	PUE C/31H	PUE C/31H	PUE C/31H
Ingress protection - platform	IP 68	IP 68	IP 68
Ingress protection - indicator	IP 68/69	IP 68/69	IP 68/69
RS 232	1	1	1
Power supply	100 ÷ 240 V AC 50 ÷ 60 Hz / 12 V DC + battery	100 ÷ 240 V AC 50 ÷ 60 Hz / 12 V DC + battery	100 ÷ 240 V AC 50 ÷ 60 Hz / 12 V DC + battery
Battery operation time	45 hours	45 hours	45 hours
Power consumption	6 W	6 W	6 W
Operating temperature	-10 ÷ +40 °C	-10 ÷ +40 °C	-10 ÷ +40 °C
Relative humidity**	10 ÷ 85%	10 ÷ 85%	10 ÷ 85%
Transport and storage temperature	-10 ÷ +50 °C	-10 ÷ +50 °C	-10 ÷ +50 °C
Weighing pan dimensions	1500 × 1500 mm	1500 × 1500 mm	1500 × 2000 mm
Platform opening	Double-leaf	Double-leaf	Double-leaf
Indicator dimensions	226 × 250 × 120 mm	226 × 250 × 120 mm	226 × 250 × 120 mm
Net weight	200 kg	200 kg	285 kg
Gross weight	270 kg	270 kg	370 kg
Packaging dimensions	1700 × 1700 × 450 mm	1700 × 1700 × 450 mm	2200 × 1700 × 450 mm
Frame weight	31 kg	31 kg	35 kg

* option: dual range weighing instrument

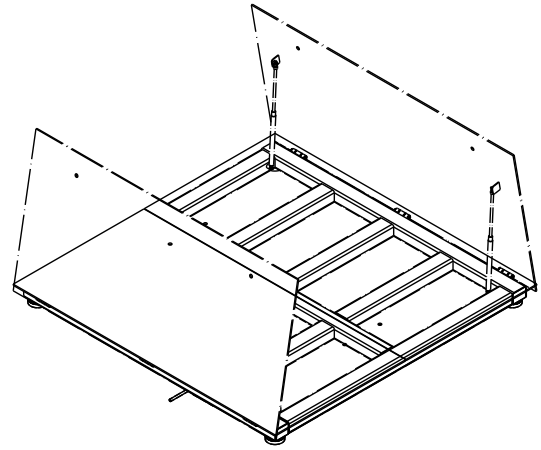
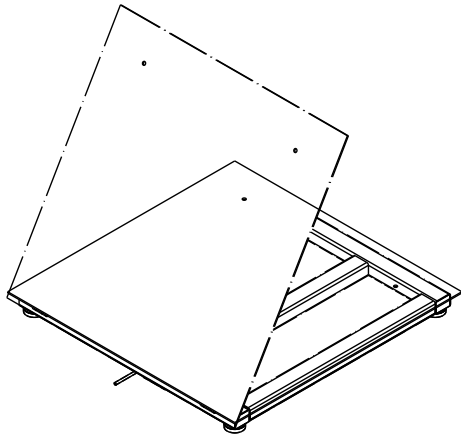
** non-condensing conditions

	WPT/4 1500 H10/Z*	WPT/4 3000 H10/Z*	WPT/4 6000 H10/Z*
Maximum capacity [Max]	1500 kg	3000 kg	6000 kg
Minimum capacity	10 kg	20 kg	40 kg
Readability [d]	500 g	1000 g	2000 g
Max readability for non-verified scale	100 g	200 g	500 g
Verification unit [e]	500 g	1000 g	2000 g
Tare range	-1500 kg	-3000 kg	-6000 kg
Verification	Yes	Yes	Yes
OIML class	III	III	III
Platform material	AISI304 stainless steel	AISI304 stainless steel	AISI304 stainless steel
Weighing pan material	AISI304 stainless steel	AISI304 stainless steel	AISI304 stainless steel
Indicator fastening	3 m cable	3 m cable	3 m cable
Display	LCD (with backlight)	LCD (with backlight)	LCD (with backlight)
Keyboard	5 keys	5 keys	5 keys
Indicator	PUE C/31H	PUE C/31H	PUE C/31H
Ingress protection - platform	IP 68	IP 68	IP 68
Ingress protection - indicator	IP 68/69	IP 68/69	IP 68/69
RS 232	1	1	1
Power supply	100 ÷ 240 V AC 50 ÷ 60 Hz / 12 V DC + battery	100 ÷ 240 V AC 50 ÷ 60 Hz / 12 V DC + battery	100 ÷ 240 V AC 50 ÷ 60 Hz / 12 V DC + battery
Battery operation time	45 hours	45 hours	45 hours
Power consumption	6 W	6 W	6 W
Operating temperature	-10 ÷ +40 °C	-10 ÷ +40 °C	-10 ÷ +40 °C
Relative humidity**	10 ÷ 85%	10 ÷ 85%	10 ÷ 85%
Transport and storage temperature	-10 ÷ +50 °C	-10 ÷ +50 °C	-10 ÷ +50 °C
Weighing pan dimensions	1500 × 2000 mm	1500 × 2000 mm	1500 × 2000 mm
Platform opening	Double-leaf	Double-leaf	Double-leaf
Indicator dimensions	226 × 250 × 120 mm	226 × 250 × 120 mm	226 × 250 × 120 mm
Net weight	285 kg	285 kg	350 kg
Gross weight	370 kg	370 kg	440 kg
Packaging dimensions	2200 × 1700 × 450 mm	2200 × 1700 × 450 mm	2200 × 1700 × 500 mm
Frame weight	35 kg	35 kg	35 kg

* option: dual range weighing instrument

** non-condensing conditions

Dimensions

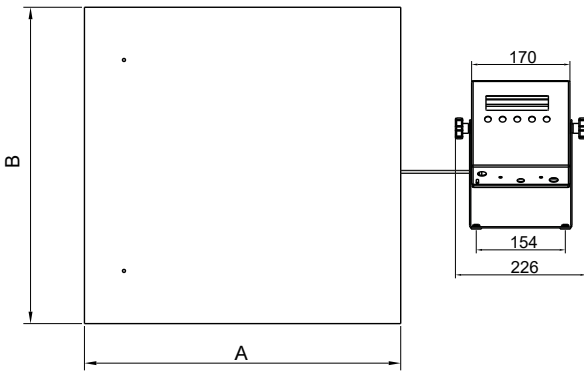
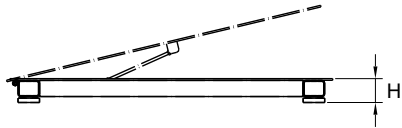


Single-leaf platform:

- WPT/4 H6/Z
- WPT/4 H7/Z
- WPT/4 H8/Z

Double-leaf platform:

- WPT/4 H8/9/Z
- WPT/4 H9/Z
- WPT/4 H10/Z



Scale type	A	B	H
WPT/4 150 – 600 H6/Z	800	800	88±2
WPT/4 150 – 1500 H7/Z	1000	1000	88±2
WPT/4 300 – 1500 H8/Z	1200	1200	88 ±2
WPT/4 3000 H8/Z	1200	1200	111 ±2
WPT/4 300 – 1500 H8/9/Z	1200	1500	88 ±2
WPT/4 3000 H8/9/Z	1200	1500	111 ±2
WPT/4 300 – 1500 H9/Z	1500	1500	88 ±2
WPT/4 3000 – 6000 H9/Z	1500	1500	111 ±2
WPT/4 600 – 6000 H10/Z	1500	2000	111 ±2

dimensions in mm

Accessories

Peripheral Devices

- Epson dot matrix printer
- LCD – WD-4/3 display (backlit)
- WWG-2/3 large-size display

Cables, Converters

- RS 232 – PT0259 cable (scale - indicator)
- RS 232 – PT0326 cable (indicator– indicator)
- RS-232 – P0151 Epson printer cable
- RS232 – KR-04-2 converter

- RS232 – KR-04-3 converter
- AP2-3 current loop unit (in stainless steel housing)
- external power supply - K0046D (for PUE C/31H/Z)
- K0047 – cigarette lighter cable

Remaining Accessories

- stands for indicators
- ramps for scales

Dedicated Software

R-LAB

- collecting measurements
- carrying out statistical analysis of measurements
- customized graphs and reports

LabView Driver

- operation of RADWAG balances in LabView environment

Scale editor

- Software designed to enable change of parameters in the PUEC/31 indicator.

Radwag Development Studio

- presentation of functions (and subfunctions) of communication protocol (Common Communication Protocol)
- possibility of connection with weighing equipment on which each function is carried out,
- library with mass control, contained within the development environment
- complete documentation of the communication protocol
- set of user manuals for different solutions addressed for programmers employed in companies using RADWAG-manufactured weighing equipment

RADWAG Connect

- establishing communication with all balances, scales and weighing modules using Common Communication Protocol
- communication via local network,
- support of basic functions
- auto searching for devices
- connecting with few devices simultaneously, swapping between them
- clear list of connected platforms
- record of measurements in the program,
- export of carried out measurements to CSV file,
- work performed using freely selected device with Windows 10 operating system

RAD KEY

- Establishing cooperation between a weighing instrument and a computer

R.Barcode

- The basic function software is presentation of the data sent by barcode scanners connected to PC via USB or RS232