

WPT/2K Overhead Track Scale

Precise weighing of porkhalves transported on scale's suspended tracks in meat industry



Rail-track connection for smooth roller movement











Hermetically closed electric connectors of the indicator



PUE C/31H indicator with LCD display in stainless steel housing

Functions

-  Parts counting
-  Percent weighing
-  Totalizing
-  In-built battery
-  Replaceable units
-  +/- control
-  Animal weighing
-  Peak hold

Features

Precise Weighing Results in Industrial Conditions

Accuracy of suspended loads weighing. Precise and fast measurement in meat industry.

Reliability and Safety

Robust scale made of galvanized steel allows to weight large loads, ensuring durability in everyday use.

Wide Range of Applications

Overhead track scale is intended for fast and precise weighing of porkhalves on scale's suspended tracks in meat industry. Scale design ensures full integration with existing technological line which enables embedding the scale in the transport track.

Cooperation with PUE C/31 H Indicator

The scale can be operated via uncomplicated and reliable PUE C/31 H indicator housed in a stainless steel housing.

Uncomplicated Operation and Clear Presentation of Indications

Due to a backlit LCD display the measurement result is clearly visible. Easy operation enables fast and reliable measurements to be carried out even by an inexperienced operator.

Uninterrupted Operation due to an Internal Battery

Integrated battery of the weighing indicator enables several hours long mobile operation.

Ergonomics and Comfort of Operation

With use of a long cable it is possible to locate the indicator in a place facilitating convenient operation or on the wall. An additional accessory enables placing the indicator on a stand.

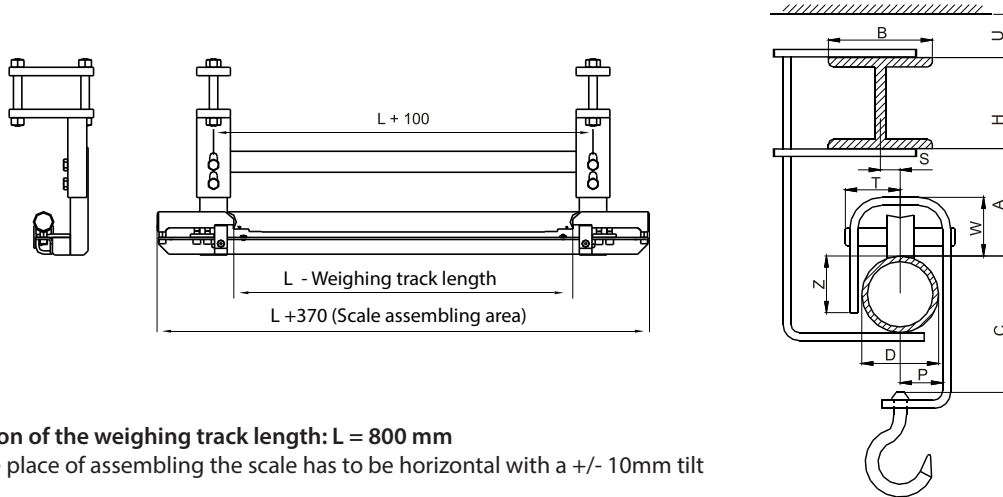
Technical Specifications

	WPT/2K 300/600	WPT/2K 300/600H
Maximum capacity [Max]	300 kg / 600 kg	300 kg / 600 kg
Minimum capacity	2 kg	2 kg
Readability [d]	0.1 kg / 0.2 kg	0.1 kg / 0.2 kg
Verification unit [e]	0.1 kg / 0.2 kg	0.1 kg / 0.2 kg
Tare range	-600 kg	-600 kg
Verification	Yes	Yes
OIML class	III	III
Mechanical design material	galvanized	AISI304 stainless steel
Indicator fastening	3 m cable	3 m cable
Display	LCD (with backlight)	LCD (with backlight)
Keyboard	5 keys	5 keys
Indicator	PUE C/31H	PUE C/31H
Ingress protection - mechanical design	IP 67	IP 67
Ingress protection - indicator	IP 68/69	IP 68/69
RS 232	1	1
Power supply	100 ÷ 240 V AC 50 ÷ 60 Hz / 12 V DC + battery	100 ÷ 240 V AC 50 ÷ 60 Hz / 12 V DC + battery
Battery operation time	45 hours	45 hours
Power consumption	6 W	6 W
Operating temperature	-10 ÷ +40 °C	-10 ÷ +40 °C
Relative humidity *	10 ÷ 85%	10 ÷ 85%
Transport and storage temperature	-10 ÷ +50 °C	-10 ÷ +50 °C
Weighing track length	L = 800 mm standard (min. 200 ÷ max. 800 mm)	L = 800 mm standard (min. 200 ÷ max. 800 mm)
Net weight	—	—
Gross weight	—	—
Packaging dimensions**	—	—

* non-condensing conditions

** depending on the scale design

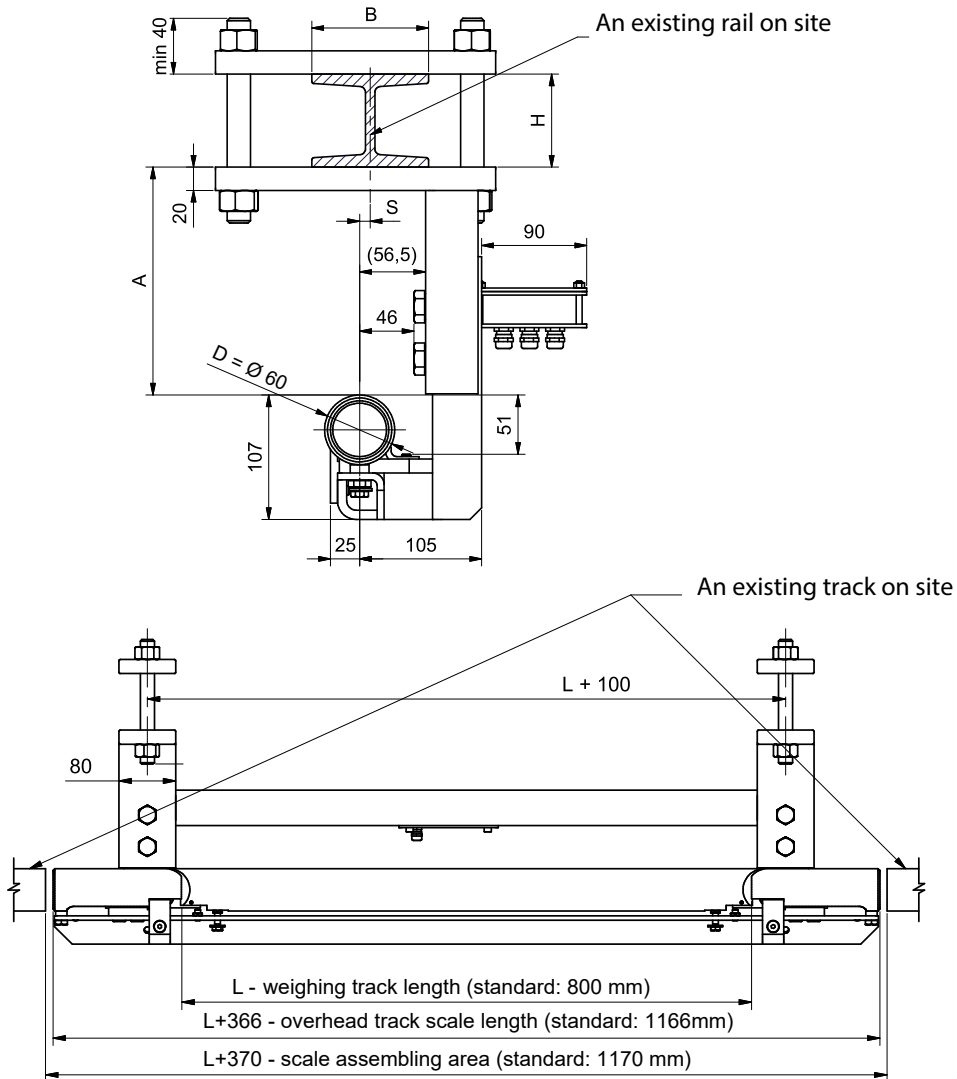
Dimensions



CAUTION

- Standard version of the weighing track length: $L = 800$ mm
- The truck in the place of assembling the scale has to be horizontal with a ± 10 mm tilt limit
- The dimensions bearing the letters are to be agreed with contractor manufacturing
Z dimension; the dimensions can be omitted if the following relation is fulfilled: $Z \leq 80\% D$

Dimensions of an overhead track scale with a shaft of $\varnothing 60$ (standard version)



Minimum track clearance: $A = 90$ mm.

Weighing track length: $200 \leq L \leq 800$ mm. As a standard: $L=800$ mm.

Maximum capacity: **600 kg.**

Accessories

Peripheral Devices

- Epson dot matrix printer
- LCD – WD-4/3 display (backlit)
- WWG-2/3 large-size display

Cables, Converters

- RS 232 – PT0259 cable (scale - indicator)
- RS 232 – PT0326 cable (indicator– indicator)
- RS-232 – P0151 Epson printer cable

- RS232 – KR-04-2 converter
- RS232 – KR-04-3 converter
- AP2-3 – current loop unit (in stainless steel housing)
- K0047 – cigarette lighter cable
- K0046D – external power supply (for PUE C/31H/Z)

Remaining accessories

- stands for indicators

Dedicated Software

R-LAB

- collecting measurements
- carrying out statistical analysis of measurements
- customized graphs and reports

LabView Driver

- operation of RADWAG balances in LabView environment

Scale editor

- Software designed to enable change of parameters in the PUEC/31 indicator.

Radwag Development Studio

- presentation of functions (and subfunctions) of communication protocol (Common Communication Protocol)
- possibility of connection with weighing equipment on which each function is carried out,
- library with mass control, contained within the development environment
- complete documentation of the communication protocol
- set of user manuals for different solutions addressed for programmers employed in companies using RADWAG-manufactured weighing equipment

RADWAG Connect

- establishing communication with all balances, scales and weighing modules using Common Communication Protocol
- communication via local network,
- support of basic functions
- auto searching for devices
- connecting with few devices simultaneously, swapping between them
- clear list of connected platforms
- record of measurements in the program,
- export of carried out measurements to CSV file,
- work performed using freely selected device with Windows 10 operating system

RAD KEY

- Establishing cooperation between a weighing instrument and a computer

R.Barcode

- The basic function software is presentation of the data sent by barcode scanners connected to PC via USB or RS232