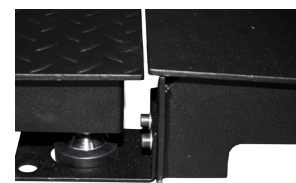


# Ramps for 4-load cell scales

Ramps are used to ease loading of the 4-load-cell platform scales.



**Stainless steel ramp**



**Ramp-scale connection**



**Powder-coated steel ramp**

## Features

### Easy Loading

Ramps facilitate product loading. Ramp scales can be used on a production line as a measuring or control workstation. The angle of tilt and the length of ramp are adjusted in a way eliminating any disturbances that may occur while platform loading (rubbing, suspending, etc.).

Uncomplicated loading and unloading of the weighing platform allows smooth control over the loads and is time saving.

### Ramp-Scale Connection

Specially designed opening enables fixing the ramp to the scale.

With this, any unwanted motion, sliding or moving away are eliminated.

### Sturdy Fixing to the Ground

Sturdy fixing of the ramp to the ground is guaranteed with use of M10x120 expansion bolt.

### Two Models

There are two versions of ramps:

- powder-coated (St3S steel) intended for powder-coated 4-load-cell WPT/4 scales (C6 ÷ C11 construction),
- stainless steel (AISI 304 steel) intended for stainless-steel 4-load-cell WPT/4H scales (H6 ÷ H10 construction).

### Robust Mechanical Design for Industry

Robust design enables transport of up to 6000 kg loads.

## Compatible With

### Ramps made of powder coated steel

- PLC3-4-N-1500-C6 for WPT/4 C6 - PLC3-4-N-6000-C11 for WPT/4 C11

### Ramps made of stainless steel

- PLH2-4-N-600-H6 for WPT/4 H6 - PLH2-4-N-3000-H8 for WPT/4 H8
- PLH2-4-N-3000-H9 for WPT/4 H9, WPT/4 H10

## Technical Specifications

	PLC3-4-N-1500-C6	PLC3-4-N-1500-C7	PLC3-4-N-3000-C8	PLC3-4-N-3000-C9
<b>Ramp dimensions</b>	800 × 1400 mm	1000 × 1460 mm	1200 × 1460 mm	1500 × 1460 mm
<b>Compatible with</b>	WPT/4 C6	WPT/4 C7	WPT/4 C8	WPT/4 C9, WPT/4 C10
<b>Maximum capacity - platform</b>	1500 kg	1500 kg	3000 kg	3000 kg
<b>Net / gross weight</b>	60 kg /	75 kg /	105 kg /	135 kg /
<b>Packaging dimensions</b>				

	PLC3-4-N-3000-C11	PLC3-4-N-6000-C9	PLC3-4-N-6000-C11	-
<b>Ramp dimensions</b>	2000 × 1460 mm	1500 × 1995 mm	2000 × 1995 mm	-
<b>Compatible with</b>	WPT/4 C11	WPT/4 C9, WPT/4 C10	WPT/4 C11	-
<b>Maximum capacity - platform</b>	3000 kg	6000 kg	6000 kg	-
<b>Net / gross weight</b>	175 kg /	210 kg /	280 kg /	-
<b>Packaging dimensions</b>				-

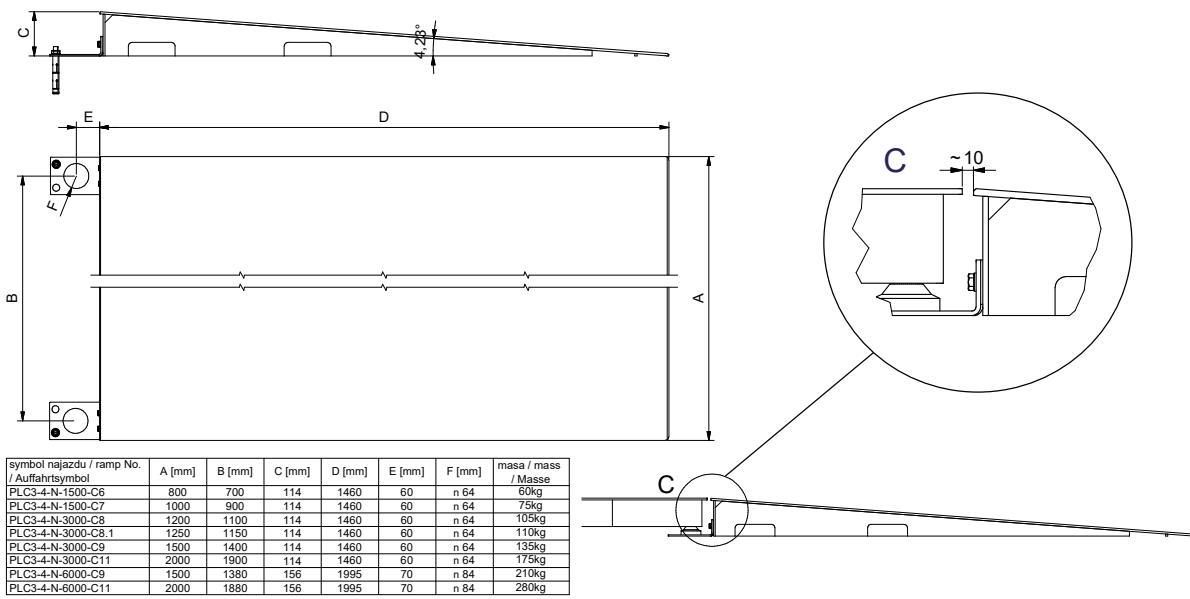
### Ramps made of powder-coated steel

	PLH2-4-N-600-H6	PLH2-4-N-1500-H7	PLH2-4-N-1500-H8	PLH2-4-N-1500-H9
<b>Ramp dimensions</b>	800 × 1400 mm	1000 × 1150 mm	1200 × 1150 mm	1500 × 1150 mm
<b>Compatible with</b>	WPT/4 H6	WPT/4 H7	WPT/4 H8	WPT/4 H9
<b>Maximum capacity - platform</b>	600 kg	1500 kg	1500 kg	1500 kg
<b>Net / gross weight</b>	45 kg /	57 kg /	68 kg /	85 kg /
<b>Packaging dimensions</b>				

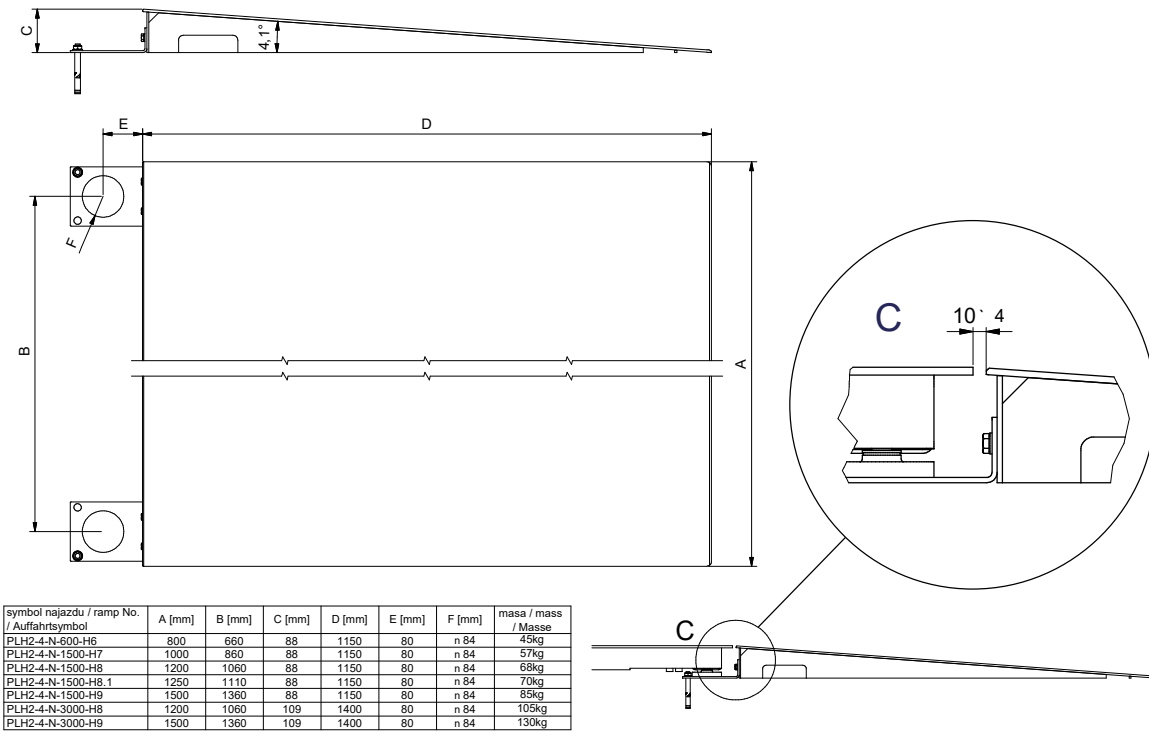
	PLH2-4-N-3000-H8	PLH2-4-N-3000-H9
<b>Ramp dimensions</b>	1200 × 1400 mm	1500 × 1400 mm
<b>Compatible with</b>	WPT/4 H8	WPT/4 H9, WPT/4 H10
<b>Maximum capacity - platform</b>	3000 kg	3000 kg
<b>Net / gross weight</b>	105 kg /	130 kg /
<b>Packaging dimensions</b>		

### Ramps made of stainless steel

## Dimensions



### Ramps made of powder-coated steel



### Ramps made of stainless steel