

MUYA weighing module

Series of professional electromagnetic modules of high resolution ensures highly precise and fast measurement in laboratory.



MUYA



MUYA



MUYA



Easy access to the most functional interfaces

Features

High Resolution

High resolution is the characteristic feature of the advanced line of MUYA weighing modules. Their operation is based on an EMFC converter. The modules are intended to be a component of laboratory workstations and to be integrated into production lines.

Ease of Integration

MUYA's designs enable fast and easy installation at any surface. A weighing terminal is connected to the modules with up to 5-metre long cable facilitating ergonomics of use. Both modules offer option of under-pan weighing.

Databases and Alibi Memory

Both panels, R and Y, feature internal databases of products and operators. The databases are secure thanks to implemented modules of ALIBI memory. The panels, being functional devices, provide you with option of easy data import and export.

Communication Interfaces

Offered range of available interfaces enables connecting the printer, fast transfer of data using USB flash drive and cooperation with PC software.

Customized Control Panels

Weighing modules are offered with Y control panels. The first one has been equipped with LCD and its functionality is equal to functionality of a standard laboratory balance. The second is a multifunctional weighing terminal providing you with applications such as formulations, checkweighing, SQC and differential weighing.

Precise Measurement

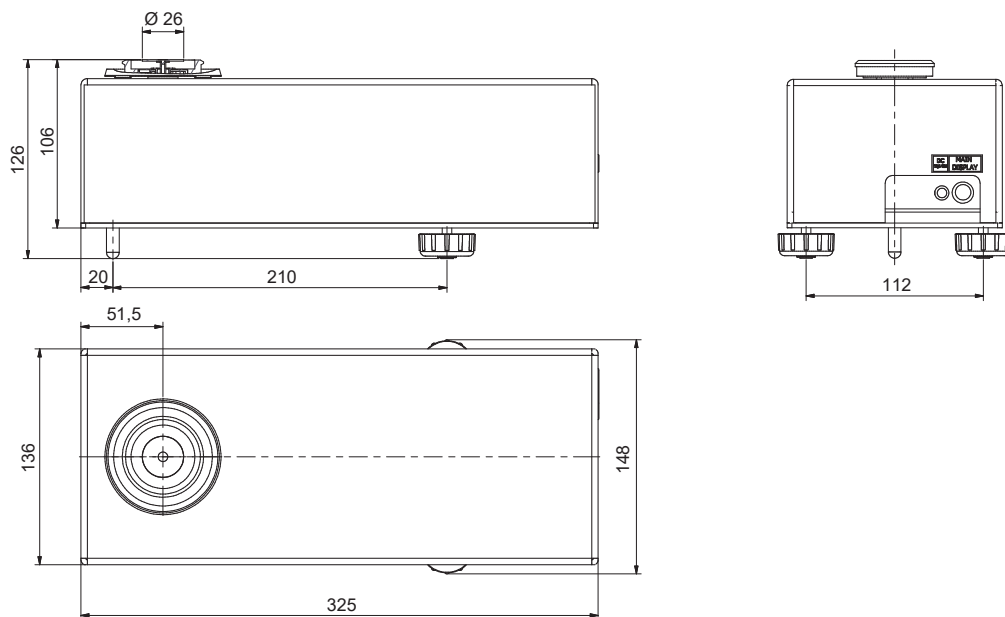
Auto adjustment system ensures accuracy even under changing ambient conditions. The most precise measurement is guaranteed thanks to repeatability of $sd \leq 1d^*$.

Technical Specifications

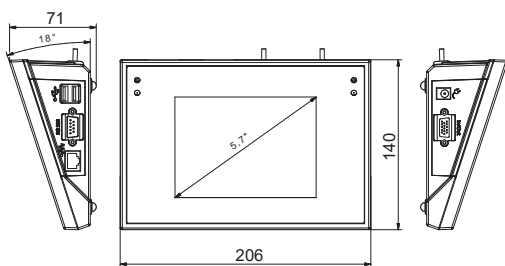
	MUYA 2.4Y	MUYA 5.4Y
Maximum capacity [Max]	2.1 g	5.1 g
Minimum load	—	—
Readability [d]	0.1 µg	1 µg
Verification scale interval [e]	—	—
Tare range	-2.1 g	-5.1 g
Repeatability (5% Max)*	0.25 µg	0.7 µg
Repeatability (Max) *	0.5 µg	1 µg
Linearity	±1.5 µg	±5 µg
Sensitivity temperature drift**	$1 \times 10^{-6} / ^\circ\text{C} \times R_t$	$1 \times 10^{-6} / ^\circ\text{C} \times R_t$
Stabilization time	10 ÷ 20 s	~ 5 s
Adjustment	internal	internal
Verification	—	—
OIML Class	—	—
Construction material	aluminium	aluminium
Weighing pan material	aluminium	aluminium
Display	5.7" colour, resistive touch screen	5.7" colour, resistive touch screen
Panel – Module cable length***	1 meter	1 meter
Protection class	IP 32	IP 32
USB	2	2
RS 232	2	2
Ethernet	10 / 100 Mbit	10 / 100 Mbit
Wireless Connection	802.11 b/g/n	802.11 b/g/n
IN/OUT	4 × IN, 4 × OUT	4 × IN, 4 × OUT
Power supply	13.5 ÷ 16 V DC	13.5 ÷ 16 V DC
Power consumption	10 W	10 W
Szybkość zmian temperatury pracy	±0.3 °C/h (±1 °C/8h)	±0.3 °C/h (±1 °C/8h)
Operating temperature	+10 ÷ +40 °C	+10 ÷ +40 °C
Atmospheric humidity****	40 ÷ 80%	40 ÷ 80%
Transport and storage temperature	-20 ÷ +50 °C	-20 ÷ +50 °C
Weighing pan dimensions	Ø 16 mm	Ø 26 mm
Weighing device dimensions	325 × 148 × 126 mm	325 × 148 × 126 mm
Net weight	6.3 kg	6.3 kg
Gross weight	12.8 kg	12.8 kg
Packaging dimensions	610 × 610 × 455 mm	610 × 610 × 455 mm

- Rt net weight
 * repeatability is expressed as a standard deviation from 10 weighing cycles
 ** parameter determined in the following temperature range: +15 ÷ +35 °C
 *** optional solution with 5 m cable
 **** non-condensing conditions

Dimensions



MUYA



Operator panel Y

Accessories

Weighing Tables

- granite antivibration table
- antivibration tables for laboratory balances
- professional weighing table

Peripheral Devices

- Epson dot matrix printer
- label printer
- barcode scanners
- WD-5/3Y (backlight) LCD display
- PC keyboard

Ambient Conditions

- antistatic ionizer DJ-03
- ambient module

Cables, Converters

- P0108 – cable RS-232 (module – computer)
- P0151 – cable RS-232 (balance - Epson printer, Citizen)
- przewód antystatyczny

Electrical Accessories

- ZR-02 power supply with battery

Dedykowane oprogramowanie

RAD-KEY

- establishing cooperation between a weighing instrument and a computer

R-LAB

- collecting measurements
- carrying out statistical analysis of measurements
- customized graphs and reports