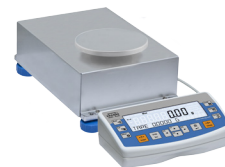


MPS weighing modules

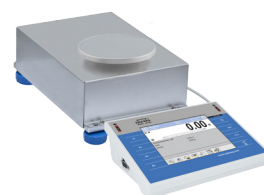
Series of professional electromagnetic modules of high resolution ensures highly precise and fast measurement in laboratory.



MPS Weighing module



MPS Module with R panel



MPS Module with Y panel

Features

High Resolution

High resolution is the characteristic feature of the advanced line of MPS weighing modules. Their operation is based on an EMFC converter. The modules are intended to be a component of laboratory workstations and to be integrated into production lines.

Ease of Integration

MPS's designs enable fast and easy installation at any surface. A weighing terminal is connected to the modules with up to 5-metre long cable facilitating ergonomics of use. Both modules offer option of under-pan weighing.

Databases and Alibi Memory

Both panels, R and Y, feature internal databases of products and operators. The databases are secure thanks to implemented modules of ALIBI memory. The panels, being functional devices, provide you with option of easy data import and export.

Communication Interfaces

Offered range of available interfaces enables connecting the printer, fast transfer of data using USB flash drive and cooperation with PC software.

Customized Control Panels

Weighing modules are offered with R or Y control panels. The first one has been equipped with LCD and its functionality is equal to functionality of a standard laboratory balance. The second is a multifunctional weighing terminal providing you with applications such as formulations, checkweighing, SQC and differential weighing.

Precise Measurement

Auto adjustment system ensures accuracy even under changing ambient conditions. The most precise measurement is guaranteed thanks to repeatability of $sd \leq 1d^*$.

Technical Specifications

	MPS 2000	MPS 2000.R	MPS 2000.Y
Maximum capacity [Max]	2000 g	2000 g	2000 g
Minimum load	20 mg	20 mg	20 mg
Readability [d]	1 mg	1 mg	1 mg
Verification scale interval [e]	—	—	—
Tare range	-2000 g	-2000 g	-2000 g
Repeatability (5% Max)*	0,5 mg	0,5 mg	0,5 mg
Repeatability (Max) *	15 mg	15 mg	15 mg
Linearity	± 4 mg	± 4 mg	± 4 mg
Sensitivity temperature drift**	$2 \times 10^{-6} / ^\circ\text{C} \times \text{Rt}$	$2 \times 10^{-6} / ^\circ\text{C} \times \text{Rt}$	$2 \times 10^{-6} / ^\circ\text{C} \times \text{Rt}$
Stabilization time	3 s	3 s	3 s
Adjustment	internal	internal	internal
Verification	—	—	—
OIML Class	—	—	—
Construction material	aluminium	aluminium	aluminium
Weighing pan material	AISI304 stainless steel	AISI304 stainless steel	AISI304 stainless steel
Display	—	LCD (with backlight)	5.7" colour, resistive touch screen
Panel – Module cable length***	—	1 meter	1 meter
Protection class	IP 32	IP 32	IP 32
USB-A	—	—	2
USB-B	1	1	—
RS 232	1	1	2
Ethernet	—	—	10 / 100 Mbit
WiFi®	—	—	802.11 b/g/n
IN/OUT	—	—	4 × IN, 4 × OUT
Power supply	12 ÷ 16 V DC	12 ÷ 16 V DC	13,5 ÷ 16 V DC
Power consumption	10 W	10 W	10 W
Operating temperature	+10 ÷ +40 °C	+10 ÷ +40 °C	+10 ÷ +40 °C
Atmospheric humidity****	40 ÷ 80%	40 ÷ 80%	40 ÷ 80%
Transport and storage temperature	-20 ÷ +50 °C	-20 ÷ +50 °C	-20 ÷ +50 °C
Weighing pan dimensions	Ø 115 mm	Ø 115 mm	Ø 115 mm
Weighing device dimensions	293 × 190 × 112 mm	293 × 190 × 112 mm	293 × 190 × 112 mm
Net weight	4,1 kg	4,7 kg	4,7 kg
Gross weight	6,1 kg	6,7 kg	6,7 kg
Packaging dimensions	515 × 340 × 285 mm	515 × 340 × 285 mm	515 × 340 × 285 mm

Rt net weight

* repeatability is expressed as a standard deviation from 10 weighing cycles

** parameter determined in the following temperature range: +15 ÷ +35 °C

*** optional solution with 5 m cable

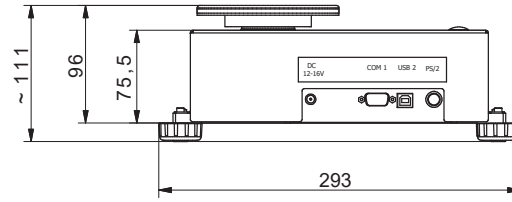
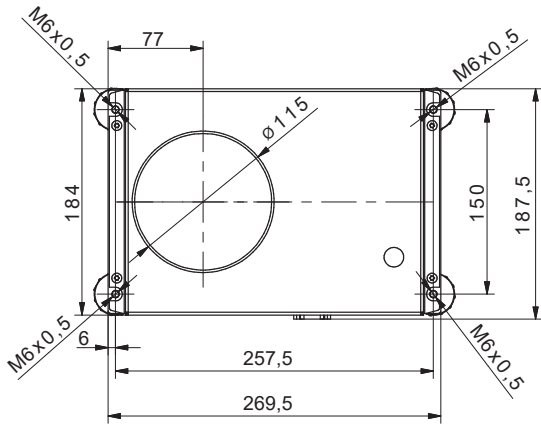
**** non-condensing conditions

Technical Specifications

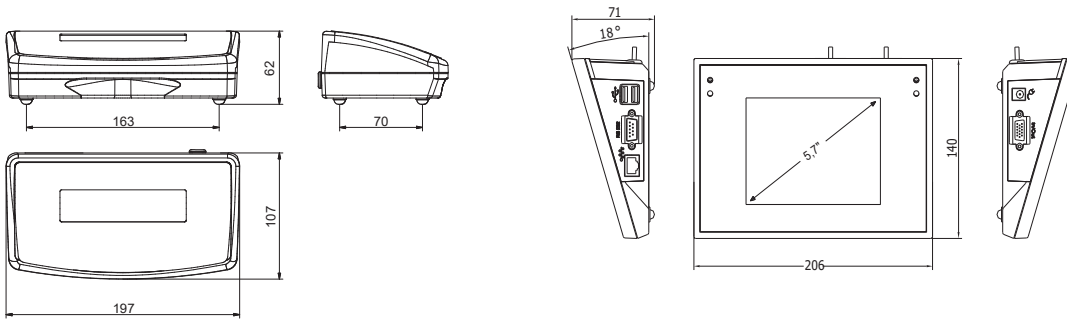
	MPS 6000	MPS 6000.R	MPS 6000.Y
Maximum capacity [Max]	6000 g	6000 g	6000 g
Minimum load	500 mg	500 mg	500 mg
Readability [d]	10 mg	10 mg	10 mg
Verification scale interval [e]	—	—	—
Tare range	-6000 g	-6000 g	-6000 g
Repeatability (5% Max)*	5 mg	5 mg	5 mg
Repeatability (Max) *	15 mg	15 mg	15 mg
Linearity	± 30 mg	± 30 mg	± 30 mg
Sensitivity temperature drift**	$2 \times 10^{-6} / ^\circ\text{C} \times \text{Rt}$	$2 \times 10^{-6} / ^\circ\text{C} \times \text{Rt}$	$2 \times 10^{-6} / ^\circ\text{C} \times \text{Rt}$
Stabilization time	1,5 s	1,5 s	1,5 s
Adjustment	internal	internal	internal
Verification	—	—	—
OIML Class	—	—	—
Construction material	aluminium	aluminium	aluminium
Weighing pan material	AISI304 stainless steel	AISI304 stainless steel	AISI304 stainless steel
Display	LCD (with backlight)	LCD (with backlight)	5.7" colour, resistive touch screen
Panel – Module cable length***	1 meter	1 meter	1 meter
Protection class	IP 32	IP 32	IP 32
USB-A	—	—	2
USB-B	1	1	—
RS 232	1	1	2
Ethernet	—	—	10 / 100 Mbit
WiFi®	—	—	802.11 b/g/n
IN/OUT	—	—	4 × IN, 4 × OUT
Power supply	12 ÷ 16 V DC	12 ÷ 16 V DC	13,5 ÷ 16 V DC
Power consumption	10 W	10 W	10 W
Operating temperature	+10 ÷ +40 °C	+10 ÷ +40 °C	+10 ÷ +40 °C
Atmospheric humidity****	40 ÷ 80%	40 ÷ 80%	40 ÷ 80%
Transport and storage temperature	-20 ÷ +50 °C	-20 ÷ +50 °C	-20 ÷ +50 °C
Weighing pan dimensions	Ø 115 mm	Ø 115 mm	Ø 115 mm
Weighing device dimensions	293 × 190 × 112 mm	293 × 190 × 112 mm	293 × 190 × 112 mm
Net weight	4,1 kg	4,7 kg	4,7 kg
Gross weight	6,1 kg	6,7 kg	6,7 kg
Packaging dimensions	515 × 340 × 285 mm	515 × 340 × 285 mm	515 × 340 × 285 mm

- Rt net weight
 * repeatability is expressed as a standard deviation from 10 weighing cycles
 ** parameter determined in the following temperature range: +15 ÷ +35 °C
 *** optional solution with 5 m cable
 **** non-condensing conditions

Dimensions



MPS



R operator panel

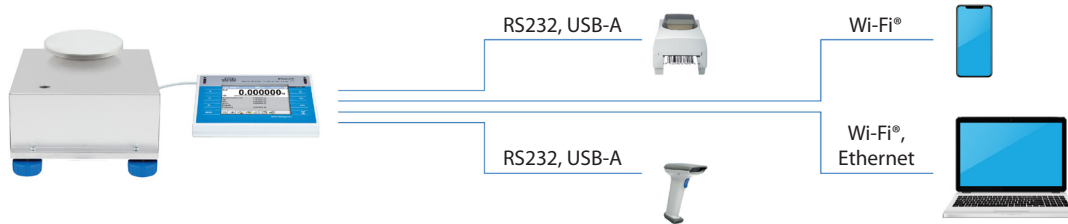
Y operator panel

MPS - Configurations

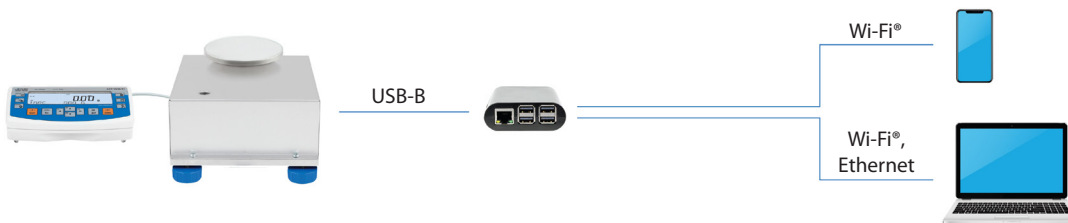
MPS



MPS.Y



MPS.R



Wi-Fi® is a registered trademark of Wi-Fi® Alliance.

Accessories

Weighing Tables

- granite antivibration table
- antivibration tables for laboratory balances

Peripheral Devices

- Epson printer
- RPanel Box (for MPS and MPS.R versions)

Ambient Conditions

- antistatic ionizer DJ-04

Cables, Converters

- P0108: RS 232 cable (balance-computer)
- P0151: RS 232 cable (balance - Epson printer)

Other

- ZR-02 power supply with battery

Dedicated Software

RPanel for MPS and MPS.R models

- supports the complete functionality of R series balances on the PC