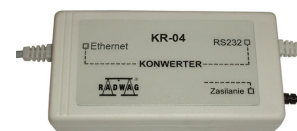


# KR Converters

Compatibility of weighing instruments and indicators and integration with peripheral equipment.



KR-01 converter



KR-04 converter



KR-04-2 converter



KR-04-03 converter

## Features

### Intended Use

The KR-01 converter enables adapting the signals of RD232 and RD485 standards to each other.

The KR-04 converters are intended to be used with weighing instruments and indicators not equipped with Ethernet. They allow connecting weighing equipment featuring RS232 connector to LAN.

### Numerous Models

The KR-01 converter features ABS housing, and is intended for weighing instruments equipped with RS232 (DB9/M connector) that operate as part of a weighing system.

The KR-04-1 features ABS housing and RS232 cable terminated with DB9/F connector. The converter is intended for balances and scales operated via PUE C31 indicator (ABS housing), laboratory balances and other instruments featuring RS232 terminated with DB9/M. The KR-04-1 is equipped with Ethernet connector of RJ45 type.

The KR-04-2 is offered in a stainless steel housing, it has RS232 cable with hermetic M12 connector, and is intended for scales with PUE C/31H and PUE 4/7 indicators. The KR-04-2 model features Ethernet cable led through the cable gland.

KR-04-3 is equipped with a stainless steel housing and RS232 cable terminated with hermetic M12. It is intended for scales with PUE C/31H and PUE 4/7 indicators. The KR-04-3 model features hermetic Ethernet connector of M12 type.

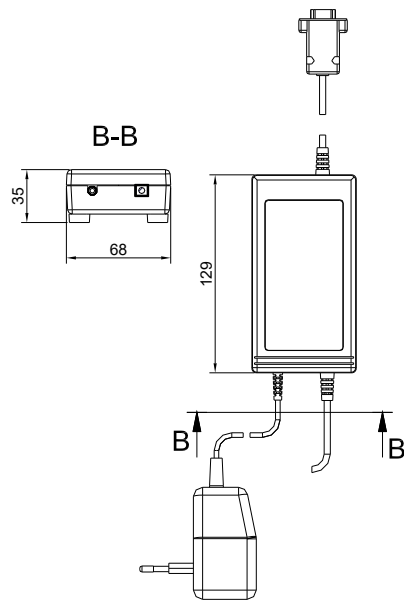
## Compatible with

- WLC series balances
- WPT series scales
- PUE C/31 indicator

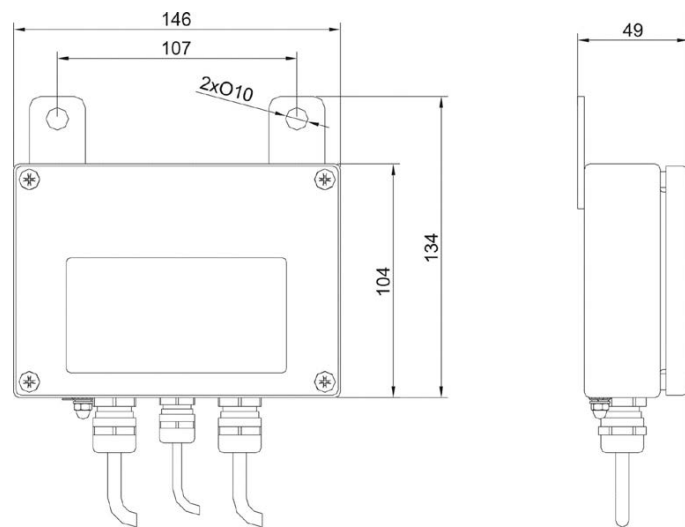
## Technical Specifications

	KR-01 converter	KR-04 converter	KR-04-2 converter	KR-04-3 converter
<b>Converted signals</b>	RS232 - RS485	Ethernet - RS232	Ethernet - RS232	Ethernet - RS232
<b>Connector</b>	RS232 - 1,7 m, RS485 - 1 m, power supply - 1.8 m	RS232 - 1,7 m, power supply - 1.8 m	RS232 terminated with a hermetic connector, Ethernet led through cable gland terminated with RJ45 connector	RS232 terminated with a hermetic connector
<b>Socket</b>	–	Ethernet RJ45	–	hermetic Ethernet connector
<b>Net / gross weight</b>	475 g	475 g		
<b>Dimensions</b>	68 × 129 × 35	68 × 129 × 35	146 × 134 × 49	146 × 134 × 49

## Dimensions



KR-01, KR-04 converter



KR-04-2, KR-04-3 converter