

Adapters for Pipettes Calibration

Preventing evaporation of liquid during weighing.



XA11



MY11



XA17



XA100

Features

Specially Designed Construction

The adapter is equipped with a weighing pan of a special design that enables placing the measuring vessel centrally inside the weighing chamber. The weighing pan and the vessel are housed in a glass chamber featuring an opening allowing the user to dispense liquid through it, and reducing air drafts.

Minimization of Weighed Liquid Evaporation

Evaporation ring is an integral part of the adapter, it increases relative humidity inside the weighing chamber. With this, evaporation of the liquid during piston pipette calibration/verification is stopped.

Compatible with

MA11:

- MYA 4Y microbalances

XA11:

- XA 4Y microbalances

XA17:

- XA 4Y analytical balances

XA100:

- XA.4Y analytical balances (except for XA52.4Y balance)
- XA.4Y.A analytical balances (except for XA52.4Y.A balance)

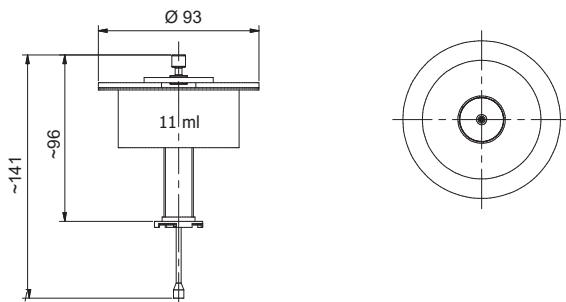
Set Content

- base (for adapters for XA balances)
- weighing pan
- weighing vessel
- evaporation ring
- glass chamber with opening for dosing

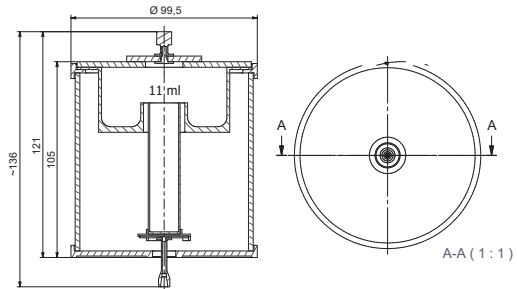
Technical Specifications

| | MY11 | XA11 | XA17 | XA100 |
|------------------------------|------------------------|------------------------|------------------------|------------------------|
| Construction material | stainless steel, glass | stainless steel, glass | stainless steel, glass | stainless steel, glass |
| Weighing pan material | stainless steel | stainless steel | stainless steel | stainless steel |
| Volume | 11ml | 11ml | 17ml | 100ml |
| Overall dimensions | 141 × Ø93 mm | 136 × Ø99,5 mm | 103 × Ø99,5 mm | 160 × Ø99,5 mm |
| Net weight | 140 g | 400 g | 450 g | 560 g |
| Gross weight | 400 g | 800 g | 850 g | 1000 g |

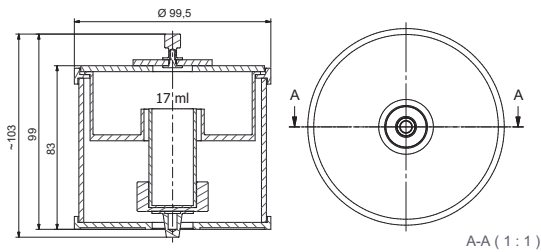
Dimensions



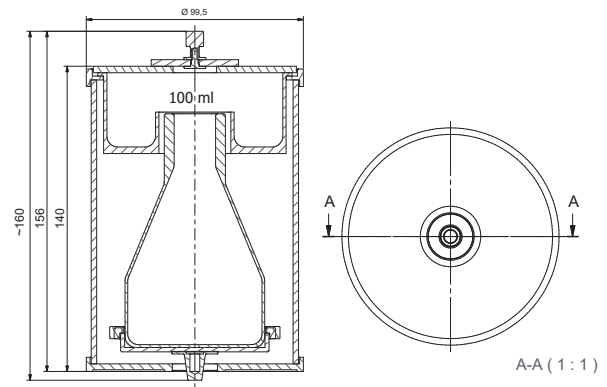
MY11



XA11



XA17



XA100