

HRP 4Y.KB Mass Comparator

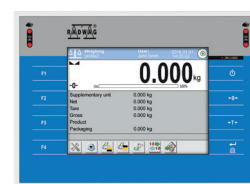
Class-leading manual mass comparator



HRP 1000.4Y.KO



Precisely marked weighing platform



PUE 7.1 indicator with 5.7" colour graphic display

Functions

- 

Mass comparator
- 

Ambient conditions measurement
- 

Proximity sensors
- 

Replaceable units
- 

Multilingual menu

Features

Effective and Excellent Measurement

The HRP 4Y.KB series stands for a class-leading manual mass comparator. These weighing instruments allow to compare 1000 kg and heavier weights of class M1 and 200 kg - 1000 kg weights of class M2.

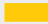





Design and Functionality

Precisely marked weighing platform of the HRP 4Y.KB mass comparator enables centring loading of weights. The self-centring weighing pan ensures stabilization and levelling of the weights loaded off-centre and to compare weights of atypical shapes.

Dedicated Software

Specially designed RMCS computer software enables comprehensive realisation of calibration procedures in laboratory. The system manages the whole calibration process, starting from the moment the order is placed, through procedure performance, to the moment of issuing the calibration certificate.

Technical Specifications

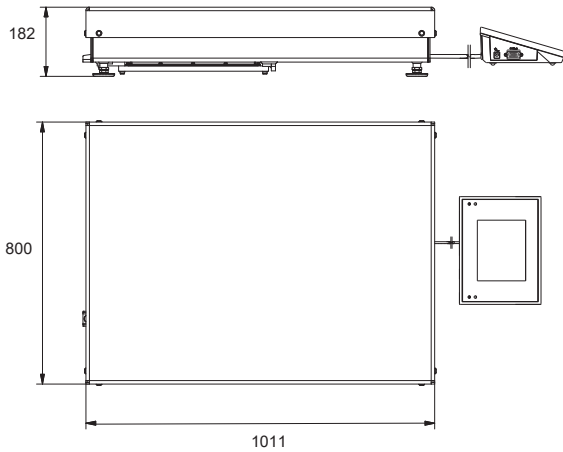
		HRP 1000.4Y.KB
OIML calibration range E1		—
OIML calibration range E2		—
OIML calibration range F1		—
OIML calibration range F2		—
OIML calibration range M1		1000 kg
OIML calibration range M2		200 kg ÷ 1000 kg
Maximum capacity [Max]		1050 kg
Readability [d]		10 g
Repeatability for nominal load*		≤ 10 g
Repeatability for small load*		≤ 6 g (200 kg)
Stabilization time		10 s
Adjustment		external
Electric compensation range		0 g ÷ 1050 kg
Eccentricity (for test weight)		1 d / 5 mm
Maximum permissible weight loading speed		0.6 m / min
Recommended weight loading speed		0.3 m / min
Display		5.7" colour resistive touch screen
Keypad		8 keys
Ingress protection - indicator		IP 43
Touch-free operation		2 programmable sensors
USB-A		2
Ethernet		10 / 100 Mbit
RS 232		2
Wireless Connection		802.11 b/g/n
IN/OUT		4 × IN, 4 × OUT
Power supply		110 ÷ 230 V AC / 50 ÷ 60 Hz
Operating temperature		+15 ÷ +30 °C
Operating temperature change rate		±2 °C / 12 h
Relative humidity variations		±10% / 4 h
Relative humidity***		40 ÷ 60%
Transport and storage temperature		-20 ÷ +50 °C
Weighing pan dimensions		1000 × 800 mm
Mass comparator dimensions**		1011 × 800 × 182 mm
Indicator dimensions**		206 × 140 × 70 mm
Mass comparator net weight		134 kg
Mass comparator gross weight		168 kg
Mass comparator packaging dimensions**		1200 × 1000 × 436 mm

* repeatability is expressed as a standard deviation determined for 6 ABBA cycles

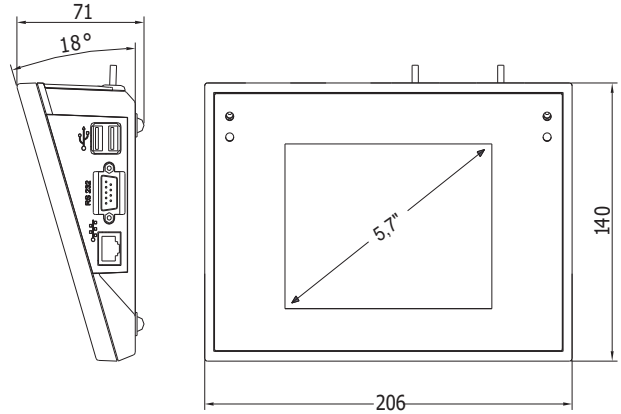
** dimensions: length x width x depth

*** non-condensing conditions

Dimensions



HRP 1000.4Y.KB



PUE 7.1 indicator

Accessories

Ambient Conditions

- THB-S or THB-P sensor

Peripheral Devices

- Epson dot matrix printer
- barcode scanner

Cables, Converters

- RS-232 – P0108 computer cable

- RS-232 – P0167 computer cable
- RS-232 – P0151 Epson printer cable

Electrical Accessories

- power supply with ZR-02 battery

Dedicated Software

RMCS System

- performance of calibration procedures in a laboratory from the moment the order is placed, to the moment of issuing a calibration certificate
- compatible with THB sensors enabling recording ambient conditions
- export of report results to various files
- archiving calibration protocols, orders, certificates and ambient conditions

RADWAG Remote Desktop

- remote control of the mass comparator using computer, telephone or tablet
- sending text messages
- version for Windows 10 and Android systems

R-LAB

- collecting measurements
- carrying out statistical analysis of measurements
- customized graphs and reports

Parameters Editor

- remote change of parameters
- remote on-line preview of the display
- displaying current mass indication
- software update
- file loading, editing and saving parameters to a file
- import and export of parameters
- interfaces: RS232, Ethernet and Wireless Connection
- quick and easy edition of balance parameters using computer