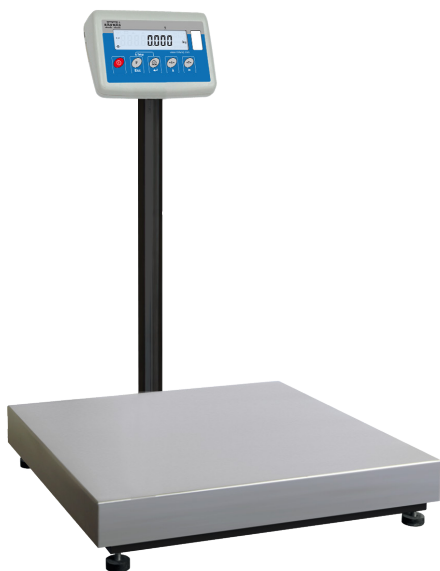


# C315 Load Cell Platform Scale

Uncomplicated operation and excellent precision of weighing process in vast range of industrial applications



C315.C3.M  
indicator on a post



C315.C2.K  
indicator connected via cable



C315.F1.M  
weighing pan with rounded corners











C315.C3.R  
indicator next to the platform



PUE C315 indicator with LCD  
display in ABS housing

## Functions

-  Parts counting
-  Percent weighing
-  Totalizing
-  In-built battery
-  Replaceable units
-  +/- control
-  Animal weighing
-  Peak hold

## Features

### Precise Weighing Results in Industrial Conditions

C315 Load Cell Platform Scale enables fast and precise mass measurements in industrial conditions.

### Reliability and Safety

Robust platform made of powder-coated steel and stainless steel weighing pan enable weighing different types of loads, ensuring durability and endurance in everyday use.

### Special-Purpose Scale

Various possibilities of fastening the indicator to the weighing platform enable selecting appropriate solution for different places of operation. The indicator can be mounted next to the platform, on a post or using cable.

### Cooperation with PUE C315 Indicator

The scale can be operated via uncomplicated and reliable PUE C315 indicator housed in an ABS housing.

### Uncomplicated Operation and Clear Presentation of Indications

Due to a backlit LCD display the measurement result is clearly visible. Easy operation enables fast and reliable measurements to be carried out even by an inexperienced operator.

### Uninterrupted Operation due to an Internal battery

Integrated battery of the weighing indicator enable several hours long mobile operation.

### Ergonomics and Comfort of Operation

With use of a long cable it is possible to locate the indicator in a place facilitating convenient operation or on the wall. An additional accessory enables placing the indicator on a stand.

### Customizable Instrument

Numerous variants of weighing pan dimensions and broad range of maximum capacities enable selecting the best weighing instrument suiting specific requirements and needs.

## Technical Specifications

	<b>C315.1,5.F1.M</b> <b>C315.1,5.F1.R</b> <b>C315.1,5.F1.K</b>	<b>C315.3.F1.M</b> <b>C315.3.F1.R</b> <b>C315.3.F1.K</b>	<b>C315.6.F1.M*</b> <b>C315.6.F1.R*</b> <b>C315.6.F1.K*</b>
<b>Maximum capacity [Max]</b>	1.5 kg	3 kg	6 kg
<b>Minimum capacity</b>	10 g	20 g	40 g
<b>Readability [d]</b>	0.5 g	1 g	2 g
<b>Max readability for non-verified scale</b>	0.2 g	0.2 g	0.2 g
<b>Verification unit [e]</b>	0.5 g	1 g	2 g
<b>Tare range</b>	-1.5 kg	-3 kg	-6 kg
<b>Verification</b>	Yes	Yes	Yes
<b>OIML class</b>	III	III	III
<b>Platform material</b>	St3S powder-coated steel	St3S powder-coated steel	St3S powder-coated steel
<b>Weighing pan material</b>	AISI304 stainless steel	AISI304 stainless steel	AISI304 stainless steel
<b>Indicator fastening</b>	on a post (.M) next to the platform (.R) on a cable (.K)	on a post (.M) next to the platform (.R) on a cable (.K)	on a post (.M) next to the platform (.R) on a cable (.K)
<b>Display</b>	LCD (with backlight)	LCD (with backlight)	LCD (with backlight)
<b>Keyboard</b>	5 keys	5 keys	5 keys
<b>Indicator</b>	PUE C315	PUE C315	PUE C315
<b>Ingress protection - design</b>	IP 65	IP 65	IP 65
<b>Ingress protection - indicator</b>	IP 43	IP 43	IP 43
<b>RS 232</b>	1	1	1
<b>Wi-Fi</b>	1	1	1
<b>RS 232**</b>	1	1	1
<b>Power supply</b>	100 ÷ 240 V AC 50 ÷ 60 Hz / 12 V DC + battery	100 ÷ 240 V AC 50 ÷ 60 Hz / 12 V DC + battery	100 ÷ 240 V AC 50 ÷ 60 Hz / 12 V DC + battery
<b>Battery operation time</b>	to 8 hours	to 8 hours	to 8 hours
<b>Power consumption</b>	5 W	5 W	5 W
<b>Operating temperature</b>	-10 ÷ +40 °C	-10 ÷ +40 °C	-10 ÷ +40 °C
<b>Relative humidity***</b>	10 ÷ 80%	10 ÷ 80%	10 ÷ 80%
<b>Transport and storage temperature</b>	-10 ÷ +50 °C	-10 ÷ +50 °C	-10 ÷ +50 °C
<b>Weighing pan dimensions</b>	300 × 300 mm	300 × 300 mm	300 × 300 mm
<b>Indicator dimensions</b>	181 × 136 × 60 mm	181 × 136 × 60 mm	181 × 136 × 60 mm
<b>Overall dimensions</b>	440 × 300 × 363 mm (.M) 445 × 300 × 73 mm (.R)	440 × 300 × 363 mm (.M) 445 × 300 × 73 mm (.R)	440 × 300 × 363 mm (.M) 445 × 300 × 73 mm (.R)
<b>Net weight</b>	5.3 kg (.M) 5.3 kg (.R) 5.2 kg (.K)	5.3 kg (.M) 5.3 kg (.R) 5.2 kg (.K)	5.3 kg (.M) 5.3 kg (.R) 5.2 kg (.K)
<b>Gross weight</b>	6.6 kg (.M) 6.1 kg (.R) 6 kg (.K)	6.6 kg (.M) 6.1 kg (.R) 6 kg (.K)	6.6 kg (.M) 6.1 kg (.R) 6 kg (.K)
<b>Packaging dimensions</b>	570 × 390 × 170 mm	570 × 390 × 170 mm	570 × 390 × 170 mm

\* option: dual range weighing instrument

\*\* optional scale design

\*\*\* non-condensing conditions

Wi-Fi® is a registered trademark of Wi-Fi® Alliance.

	<b>C315.15.F1.M*</b> <b>C315.15.F1.R*</b> <b>C315.15.F1.K*</b>	<b>C315.30.F1.M*</b> <b>C315.30.F1.R*</b> <b>C315.30.F1.K*</b>	<b>C315.15.C2.M</b> <b>C315.15.C2.R</b> <b>C315.15.C2.K</b>
<b>Maximum capacity [Max]</b>	15 kg	30 kg	15 kg
<b>Minimum capacity</b>	100 g	200 g	100 g
<b>Readability [d]</b>	5 g	10 g	5 g
<b>Max readability for non-verified scale</b>	0.5 g	1 g	1 g
<b>Verification unit [e]</b>	5 g	10 g	5 g
<b>Tare range</b>	-15 kg	-30 kg	-15 kg
<b>Verification</b>	Yes	Yes	Yes
<b>OIML class</b>	III	III	III
<b>Platform material</b>	St3S powder-coated steel	St3S powder-coated steel	St3S powder-coated steel
<b>Weighing pan material</b>	AISI304 stainless steel	AISI304 stainless steel	AISI304 stainless steel
<b>Indicator fastening</b>	on a post (.M) next to the platform (.R) on a cable (.K)	on a post (.M) next to the platform (.R) on a cable (.K)	on a post (.M) next to the platform (.R) on a cable (.K)
<b>Display</b>	LCD (with backlight)	LCD (with backlight)	LCD (with backlight)
<b>Keyboard</b>	5 keys	5 keys	5 keys
<b>Indicator</b>	PUE C315	PUE C315	PUE C315
<b>Ingress protection - design</b>	IP 65	IP 65	IP 65
<b>Ingress protection - indicator</b>	IP 43	IP 43	IP 43
<b>RS 232</b>	1	1	1
<b>Wi-Fi</b>	1	1	1
<b>RS 232**</b>	1	1	1
<b>Power supply</b>	100 ÷ 240 V AC 50 ÷ 60 Hz / 12 V DC + battery	100 ÷ 240 V AC 50 ÷ 60 Hz / 12 V DC + battery	100 ÷ 240 V AC 50 ÷ 60 Hz / 12 V DC + battery
<b>Battery operation time</b>	to 8 hours	to 8 hours	to 8 hours
<b>Power consumption</b>	5 W	5 W	5 W
<b>Operating temperature</b>	-10 ÷ +40 °C	-10 ÷ +40 °C	-10 ÷ +40 °C
<b>Relative humidity***</b>	10 ÷ 80%	10 ÷ 80%	10 ÷ 80%
<b>Transport and storage temperature</b>	-10 ÷ +50 °C	-10 ÷ +50 °C	-10 ÷ +50 °C
<b>Weighing pan dimensions</b>	300 × 300 mm	300 × 300 mm	400 × 500 mm
<b>Indicator dimensions</b>	181 × 136 × 60 mm	181 × 136 × 60 mm	181 × 136 × 60 mm
<b>Overall dimensions</b>	440 × 300 × 363 mm (.M) 445 × 300 × 73 mm (.R)	440 × 300 × 363 mm (.M) 445 × 300 × 73 mm (.R)	509 × 502 × 751 mm (.M) 402 × 544 × 103 mm (.R)
<b>Net weight</b>	5.3 kg (.M) 5.3 kg (.R) 5.2 kg (.K)	5.3 kg (.M) 5.3 kg (.R) 5.2 kg (.K)	12.4 kg (.M) 10.9 kg (.R) 10.8 kg (.K)
<b>Gross weight</b>	6.6 kg (.M) 6.1 kg (.R) 6 kg (.K)	6.6 kg (.M) 6.1 kg (.R) 6 kg (.K)	14.7 kg (.M) 13.2 kg (.R) 13.1 kg (.K)
<b>Packaging dimensions</b>	570 × 390 × 170 mm	570 × 390 × 170 mm	720 × 620 × 210 mm

\* option: dual range weighing instrument

\*\* optional scale design

\*\*\* non-condensing conditions

Wi-Fi® is a registered trademark of Wi-Fi® Alliance.

	<b>C315.30.C2.M*</b> <b>C315.30.C2.R*</b> <b>C315.30.C2.K*</b>	<b>C315.60.C2.M*</b> <b>C315.60.C2.R*</b> <b>C315.60.C2.K*</b>	<b>C315.150.C2.M*</b> <b>C315.150.C2.R*</b> <b>C315.150.C2.K*</b>
<b>Maximum capacity [Max]</b>	30 kg	60 kg	150 kg
<b>Minimum capacity</b>	200 g	400 g	1000 g
<b>Readability [d]</b>	10 g	20 g	50 g
<b>Max readability for non-verified scale</b>	1 g	2 g	5 g
<b>Verification unit [e]</b>	10 g	20 g	50 g
<b>Tare range</b>	-30 kg	-60 kg	-150 kg
<b>Verification</b>	Yes	Yes	Yes
<b>OIML class</b>	III	III	III
<b>Platform material</b>	St3S powder-coated steel	St3S powder-coated steel	St3S powder-coated steel
<b>Weighing pan material</b>	AISI304 stainless steel	AISI304 stainless steel	AISI304 stainless steel
<b>Indicator fastening</b>	on a post (.M) next to the platform (.R) on a cable (.K)	on a post (.M) next to the platform (.R) on a cable (.K)	on a post (.M) next to the platform (.R) on a cable (.K)
<b>Display</b>	LCD (with backlight)	LCD (with backlight)	LCD (with backlight)
<b>Keyboard</b>	5 keys	5 keys	5 keys
<b>Indicator</b>	PUE C315	PUE C315	PUE C315
<b>Ingress protection - design</b>	IP 65	IP 65	IP 65
<b>Ingress protection - indicator</b>	IP 43	IP 43	IP 43
<b>RS 232</b>	1	1	1
<b>Wi-Fi</b>	1	1	1
<b>RS 232**</b>	1	1	1
<b>Power supply</b>	100 ÷ 240 V AC 50 ÷ 60 Hz / 12 V DC + battery	100 ÷ 240 V AC 50 ÷ 60 Hz / 12 V DC + battery	100 ÷ 240 V AC 50 ÷ 60 Hz / 12 V DC + battery
<b>Battery operation time</b>	to 8 hours	to 8 hours	to 8 hours
<b>Power consumption</b>	5 W	5 W	5 W
<b>Operating temperature</b>	-10 ÷ +40 °C	-10 ÷ +40 °C	-10 ÷ +40 °C
<b>Relative humidity***</b>	10 ÷ 80%	10 ÷ 80%	10 ÷ 80%
<b>Transport and storage temperature</b>	-10 ÷ +50 °C	-10 ÷ +50 °C	-10 ÷ +50 °C
<b>Weighing pan dimensions</b>	400 × 500 mm	400 × 500 mm	400 × 500 mm
<b>Indicator dimensions</b>	181 × 136 × 60 mm	181 × 136 × 60 mm	181 × 136 × 60 mm
<b>Overall dimensions</b>	509 × 502 × 751 mm (.M) 402 × 544 × 103 mm (.R)	509 × 502 × 751 mm (.M) 402 × 544 × 103 mm (.R)	509 × 502 × 751 mm (.M) 402 × 544 × 103 mm (.R)
<b>Net weight</b>	12.4 kg (.M) 10.9 kg (.R) 10.8 kg (.K)	12.4 kg (.M) 10.9 kg (.R) 10.8 kg (.K)	12.4 kg (.M) 10.9 kg (.R) 10.8 kg (.K)
<b>Gross weight</b>	14.7 kg (.M) 13.2 kg (.R) 13.1 kg (.K)	14.7 kg (.M) 13.2 kg (.R) 13.1 kg (.K)	14.7 kg (.M) 13.2 kg (.R) 13.1 kg (.K)
<b>Packaging dimensions</b>	720 × 620 × 210 mm	720 × 620 × 210 mm	720 × 620 × 210 mm

\* option: dual range weighing instrument

\*\* optional scale design

\*\*\* non-condensing conditions

Wi-Fi® is a registered trademark of Wi-Fi® Alliance.

	<b>C315.300.C2.M*</b> <b>C315.300.C2.R*</b> <b>C315.300.C2.K*</b>	<b>C315.15.C3.M</b> <b>C315.15.C3.K</b>	<b>C315.30.C3.M*</b> <b>C315.30.C3.K*</b>
<b>Maximum capacity [Max]</b>	300 kg	15 kg	30 kg
<b>Minimum capacity</b>	1000 g	100 g	200 g
<b>Readability [d]</b>	100 g	5 g	10 g
<b>Max readability for non-verified scale</b>	10 g	1 g	1 g
<b>Verification unit [e]</b>	100 g	5 g	10 g
<b>Tare range</b>	-300 kg	-15 kg	-30 kg
<b>Verification</b>	Yes	Yes	Yes
<b>OIML class</b>	III	III	III
<b>Platform material</b>	St3S powder-coated steel	St3S powder-coated steel	St3S powder-coated steel
<b>Weighing pan material</b>	AISI304 stainless steel	AISI304 stainless steel	AISI304 stainless steel
<b>Indicator fastening</b>	on a post (.M) next to the platform (.R) on a cable (.K)	on a post (.M) on a cable (.K)	on a post (.M) on a cable (.K)
<b>Display</b>	LCD (with backlight)	LCD (with backlight)	LCD (with backlight)
<b>Keyboard</b>	5 keys	5 keys	5 keys
<b>Indicator</b>	PUE C315	PUE C315	PUE C315
<b>Ingress protection - design</b>	IP 65	IP 65	IP 65
<b>Ingress protection - indicator</b>	IP 43	IP 43	IP 43
<b>RS 232</b>	1	1	1
<b>Wi-Fi</b>	1	1	1
<b>RS 232**</b>	1	1	1
<b>Power supply</b>	100 ÷ 240 V AC 50 ÷ 60 Hz / 12 V DC + battery	100 ÷ 240 V AC 50 ÷ 60 Hz / 12 V DC + battery	100 ÷ 240 V AC 50 ÷ 60 Hz / 12 V DC + battery
<b>Battery operation time</b>	to 8 hours	to 8 hours	to 8 hours
<b>Power consumption</b>	5 W	5 W	5 W
<b>Operating temperature</b>	-10 ÷ +40 °C	-10 ÷ +40 °C	-10 ÷ +40 °C
<b>Relative humidity***</b>	10 ÷ 80%	10 ÷ 80%	10 ÷ 80%
<b>Transport and storage temperature</b>	-10 ÷ +50 °C	-10 ÷ +50 °C	-10 ÷ +50 °C
<b>Weighing pan dimensions</b>	400 × 500 mm	700 × 500 mm	700 × 500 mm
<b>Indicator dimensions</b>	181 × 136 × 60 mm	181 × 136 × 60 mm	181 × 136 × 60 mm
<b>Overall dimensions</b>	509 × 502 × 751 mm (.M) 402 × 544 × 103 mm (.R)	701 × 501 × 754 mm (.M)	701 × 501 × 754 mm (.M)
<b>Net weight</b>	12.4 kg (.M) 10.9 kg (.R) 10.8 kg (.K)	23.2 kg (.M) 21.6 kg (.K)	23.2 kg (.M) 21.6 kg (.K)
<b>Gross weight</b>	14.7 kg (.M) 13.2 kg (.R) 13.1 kg (.K)	27 kg (.M) 25.6 kg (.K)	27 kg (.M) 25.6 kg (.K)
<b>Packaging dimensions</b>	720 × 620 × 210 mm	850 × 800 × 270 mm	850 × 800 × 270 mm

\* option: dual range weighing instrument

\*\* optional scale design

\*\*\* non-condensing conditions

Wi-Fi® is a registered trademark of Wi-Fi® Alliance.

	<b>C315.60.C3.M*</b> <b>C315.60.C3.K*</b>	<b>C315.150.C3.M*</b> <b>C315.150.C3.K*</b>	<b>C315.300.C3.M*</b> <b>C315.300.C3.K*</b>
<b>Maximum capacity [Max]</b>	60 kg	150 kg	300 kg
<b>Minimum capacity</b>	400 g	1000 g	1000 g
<b>Readability [d]</b>	20 g	50 g	100 g
<b>Max readability for non-verified scale</b>	2 g	5 g	10 g
<b>Verification unit [e]</b>	20 g	50 g	100 g
<b>Tare range</b>	-60 kg	-150 kg	-300 kg
<b>Verification</b>	Yes	Yes	Yes
<b>OIML class</b>	III	III	III
<b>Platform material</b>	St3S powder-coated steel	St3S powder-coated steel	St3S powder-coated steel
<b>Weighing pan material</b>	AISI304 stainless steel	AISI304 stainless steel	AISI304 stainless steel
<b>Indicator fastening</b>	on a post (.M) on a cable (.K)	on a post (.M) on a cable (.K)	on a post (.M) on a cable (.K)
<b>Display</b>	LCD (with backlight)	LCD (with backlight)	LCD (with backlight)
<b>Keyboard</b>	5 keys	5 keys	5 keys
<b>Indicator</b>	PUE C315	PUE C315	PUE C315
<b>Ingress protection - design</b>	IP 65	IP 65	IP 65
<b>Ingress protection - indicator</b>	IP 43	IP 43	IP 43
<b>RS 232</b>	1	1	1
<b>Wi-Fi</b>	1	1	1
<b>RS 232**</b>	1	1	1
<b>Power supply</b>	100 ÷ 240 V AC 50 ÷ 60 Hz / 12 V DC + battery	100 ÷ 240 V AC 50 ÷ 60 Hz / 12 V DC + battery	100 ÷ 240 V AC 50 ÷ 60 Hz / 12 V DC + battery
<b>Battery operation time</b>	to 8 hours	to 8 hours	to 8 hours
<b>Power consumption</b>	5 W	5 W	5 W
<b>Operating temperature</b>	-10 ÷ +40 °C	-10 ÷ +40 °C	-10 ÷ +40 °C
<b>Relative humidity***</b>	10 ÷ 80%	10 ÷ 80%	10 ÷ 80%
<b>Transport and storage temperature</b>	-10 ÷ +50 °C	-10 ÷ +50 °C	-10 ÷ +50 °C
<b>Weighing pan dimensions</b>	700 × 500 mm	700 × 500 mm	700 × 500 mm
<b>Indicator dimensions</b>	181 × 136 × 60 mm	181 × 136 × 60 mm	181 × 136 × 60 mm
<b>Overall dimensions</b>	701 × 501 × 754 mm (.M)	701 × 501 × 754 mm (.M)	701 × 501 × 754 mm (.M)
<b>Net weight</b>	23.2 kg (.M) 21.6 kg (K)	23.2 kg (.M) 21.6 kg (K)	23.2 kg (.M) 21.6 kg (K)
<b>Gross weight</b>	27 kg (.M) 25.6 kg (K)	27 kg (.M) 25.6 kg (K)	27 kg (.M) 25.6 kg (K)
<b>Packaging dimensions</b>	850 × 800 × 270 mm	850 × 800 × 270 mm	850 × 800 × 270 mm

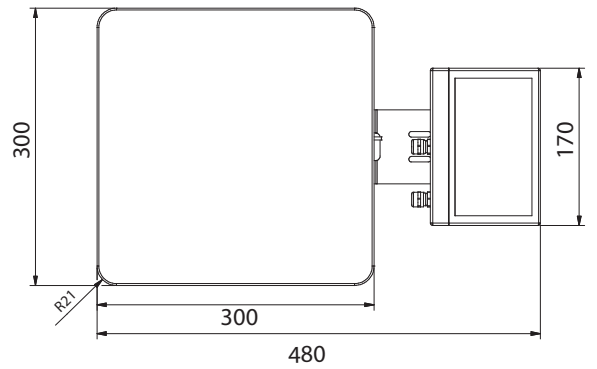
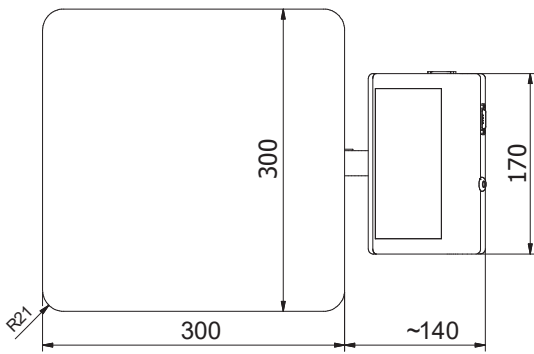
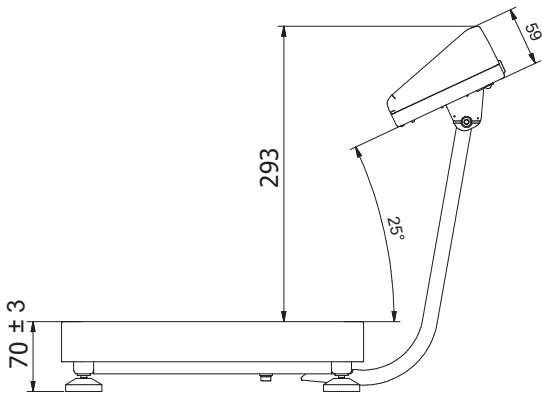
\* option: dual range weighing instrument

\*\* optional scale design

\*\*\* non-condensing conditions

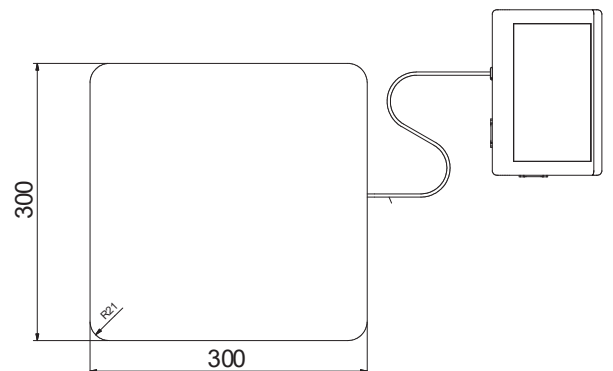
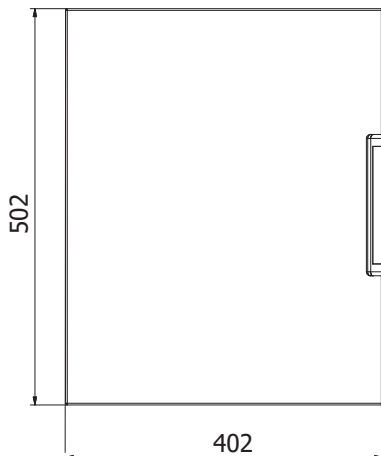
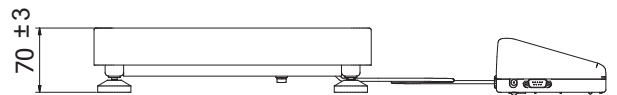
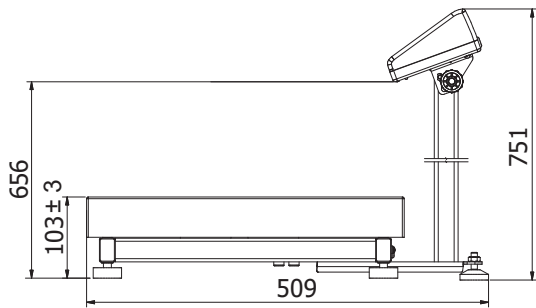
Wi-Fi® is a registered trademark of Wi-Fi® Alliance.

# Dimensions



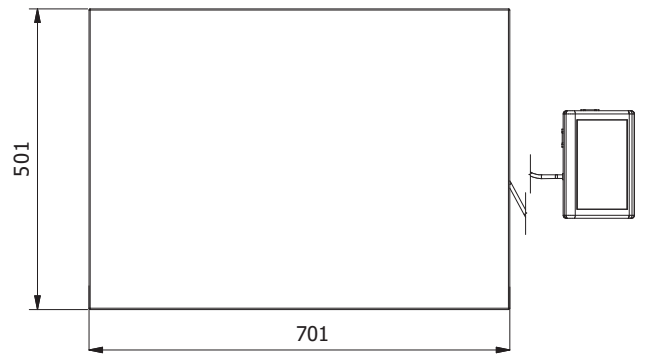
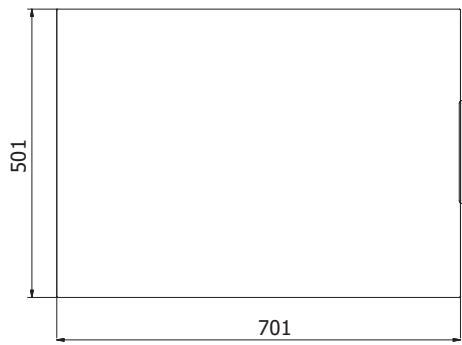
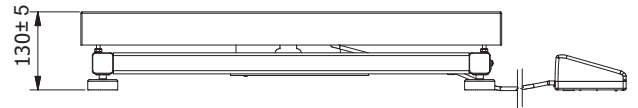
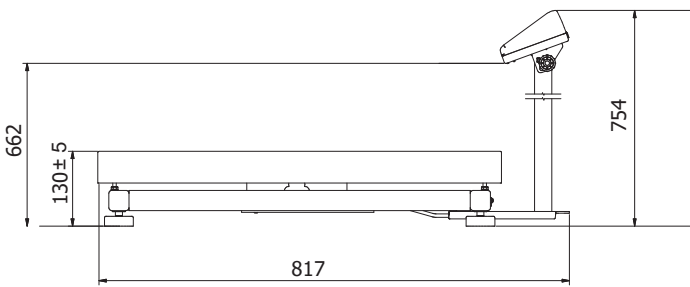
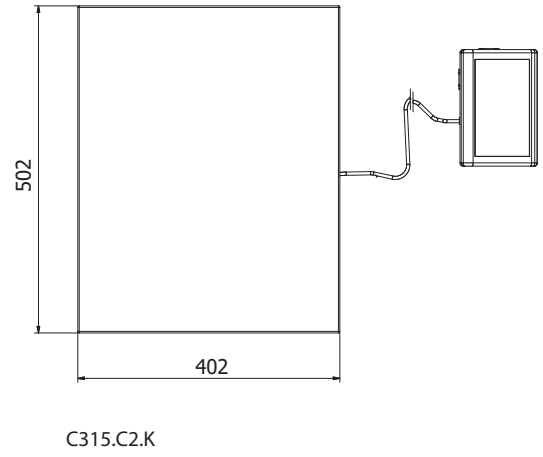
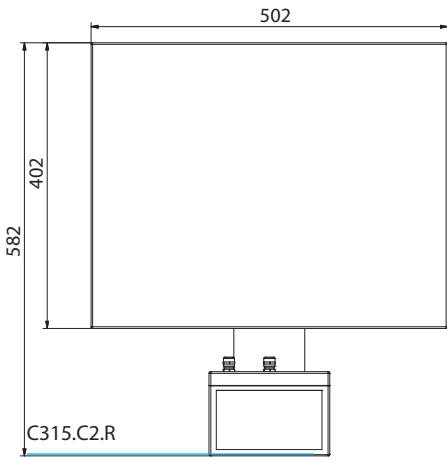
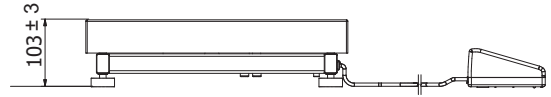
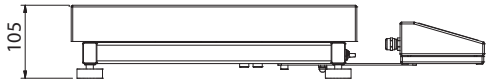
C315.F1.M

C315.F1.R



C315.C2.M

C315.C2.K



C315.C3.M

C315.C3.K



## Accessories

---

### Peripheral Devices

- dot matrix Epson printer
- LCD – WD-4/1 display (backlit)
- WWG-2/7 large-size display

### Cables, Converters

- RS-232 – P0108 computer cable
- RS-232 – P0151 Epson printer cable
- RS232 – KR-04-1 converter

- RS232/RS485 – KR-01 converter
- AP2-1 – current loop unit
- AP2-3 – current loop unit (for PUE C/31H)
- K0047 – cigarette lighter cable

### Remaining accessories

- stands for indicators
- ramps for scales

## Dedicated Software

---

### R-LAB

- collecting measurements
- carrying out statistical analysis of measurements
- customized graphs and reports

### LabView Driver

- operation of RADWAG balances in LabView environment

### Scale editor

- software designed to enable change of parameters in the PUE C315 indicator

### RADWAG Development Studio

- presentation of functions (and subfunctions) of communication protocol (Common Communication Protocol)
- possibility of connection with weighing equipment on which each function is carried out
- library with mass control, contained within the development environment
- complete documentation of the communication protocol
- set of user manuals for different solutions addressed for programmers employed in companies using RADWAG-manufactured weighing equipment

### RADWAG Connect

- establishing communication with all balances, scales and weighing modules using Common Communication Protocol
- communication via local network
- support of basic functions
- auto searching for devices
- connecting with few devices simultaneously, swapping between them
- clear list of connected platforms
- record of measurements in the program
- export of carried out measurements to CSV file
- work performed using freely selected device with Windows 10 operating system

### RAD-KEY

- establishing cooperation between a weighing instrument and a computer

### R.Barcode

- the basic function software is presentation of the data sent by barcode scanners connected to PC via USB or RS232