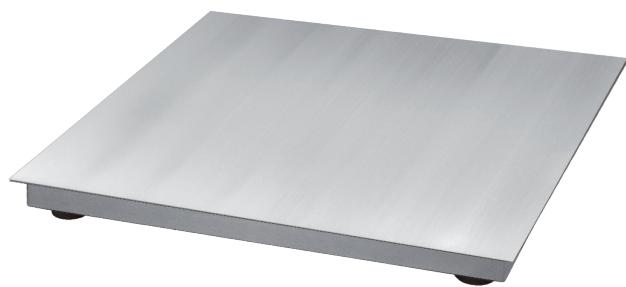
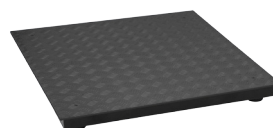


4-Load-Cell Platforms

Unrivalled accuracy of weighing large loads in moist environment and at direct contact with water



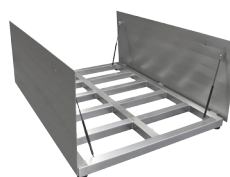
PL/4/H
Max: 300 – 6000 kg



PLC/4/C
Max: 600 – 6000 kg



PL/4N
Max: 150 – 1500 kg



PL/4/H/Z
Max: 300 – 6000 kg



PL/4N.LD
Max: 150 – 1500 kg

Features

Precise Weighing Indications in Challenging Industrial Conditions

Mass measurement carried out using 4 load cells guarantees weighing accuracy regardless positioning of the load on the platform. The scale ensures precise and fast mass measurement in challenging industrial conditions.

Versatile Construction Solutions

Powder-coated weighing platform allows to operate loads of large mass, and the weighing pan made of tear plate prevents potential slips. When it comes to stainless steel construction, the platform can be operated in moist environment and at direct contact with water (e.g. meat and fish industry).

Customizable Instrument

Numerous variants of weighing pan dimensions and broad range of maximum capacities enable selecting the best weighing instrument suiting specific requirements and needs.

Versatility of Use

4-load-cell platforms are equipped with vast range of systems such as: installation in the ground, optional ramps and platform lifting. All these systems make the platform a versatile device which can be used in various industry areas.

Technical Specifications

	PLC/4/600/C6*	PLC/4/1500/C7*	PLC/4/1500/C8*	PLC/4/3000/C8*
Maximum capacity [Max]	600 kg	1500 kg	1500 kg	3000 kg
Platform material	powder-coated steel St3S	powder-coated steel St3S	powder-coated steel St3S	powder-coated steel St3S
Weighing pan material	powder-coated steel St3S	powder-coated steel St3S	powder-coated steel St3S	powder-coated steel St3S
Ingress protection - platform	IP 65	IP 65	IP 65	IP 65
Operating temperature	-10 ÷ +40 °C	-10 ÷ +40 °C	-10 ÷ +40 °C	-10 ÷ +40 °C
Relative humidity **	10 ÷ 85%	10 ÷ 85%	10 ÷ 85%	10 ÷ 85%
Transport and storage temperature	-10 ÷ +50 °C	-10 ÷ +50 °C	-10 ÷ +50 °C	-10 ÷ +50 °C
Weighing pan dimensions	800 × 800 mm	1000 × 1000 mm	1200 × 1200 mm	1200 × 1200 mm
Net weight	55 kg	80 kg	110 kg	110 kg
Gross weight	80 kg	110 kg	145 kg	145 kg
Platform packaging dimensions	900×900×400 mm	1100 × 1100 × 400 mm	1300 × 1300 × 400 mm	1300 × 1300 × 400 mm

* option: dual range weighing instrument

** non-condensing conditions

	PLC/4/1500/C8/9*	PLC/4/3000/C8/9*	PLC/4/1500/C9*	PLC/4/3000/C9*
Maximum capacity [Max]	1500 kg	3000 kg	1500 kg	3000 kg
Platform material	powder-coated steel St3S	powder-coated steel St3S	powder-coated steel St3S	powder-coated steel St3S
Weighing pan material	powder-coated steel St3S	powder-coated steel St3S	powder-coated steel St3S	powder-coated steel St3S
Ingress protection - platform	IP 65	IP 65	IP 65	IP 65
Operating temperature	-10 ÷ +40 °C	-10 ÷ +40 °C	-10 ÷ +40 °C	-10 ÷ +40 °C
Relative humidity **	10 ÷ 85%	10 ÷ 85%	10 ÷ 85%	10 ÷ 85%
Transport and storage temperature	-10 ÷ +50 °C	-10 ÷ +50 °C	-10 ÷ +50 °C	-10 ÷ +50 °C
Weighing pan dimensions	1200 × 1500 mm	1200 × 1500 mm	1500 × 1500 mm	1500 × 1500 mm
Net weight	135 kg	135 kg	160 kg	160 kg
Gross weight	170 kg	170 kg	200 kg	200 kg
Platform packaging dimensions	1600 × 1300 × 400 mm	1600 × 1300 × 400 mm	1600 × 1600 × 400 mm	1600 × 1600 × 400 mm

* option: dual range weighing instrument

** non-condensing conditions

	PLC/4/3000/C10*	PLC/4/3000/C11*	PLC/4/6000/C11*
Maximum capacity [Max]	3000 kg	3000 kg	6000 kg
Platform material	powder-coated steel St3S	powder-coated steel St3S	powder-coated steel St3S
Weighing pan material	powder-coated steel St3S	powder-coated steel St3S	powder-coated steel St3S
Ingress protection - platform	IP 65	IP 65	IP 65
Operating temperature	-10 ÷ +40 °C	-10 ÷ +40 °C	-10 ÷ +40 °C
Relative humidity **	10 ÷ 85%	10 ÷ 85%	10 ÷ 85%
Transport and storage temperature	-10 ÷ +50 °C	-10 ÷ +50 °C	-10 ÷ +50 °C
Weighing pan dimensions	1500 × 2000 mm	2000 × 2000 mm	2000 × 2000 mm
Net weight	230 kg	290 kg	350 kg
Gross weight	275 kg	345 kg	405 kg
Platform packaging dimensions	2100 × 1600 × 450 mm	2100 × 2100 × 450 mm	2100 × 2100 × 450 mm

* option: dual range weighing instrument

** non-condensing conditions

	PL/4/300/H6	PL/4/600/H6*	PL/4/300/H7	PL/4/600/H7*
Maximum capacity [Max]	300 kg	600 kg	300 kg	600 kg
Platform material	stainless steel AISI 304	stainless steel AISI 304	stainless steel AISI 304	stainless steel AISI 304
Weighing pan material	stainless steel AISI 304	stainless steel AISI 304	stainless steel AISI 304	stainless steel AISI 304
Ingress protection - platform	IP 68	IP 68	IP 68	IP 68
Operating temperature	-10 ÷ +40 °C	-10 ÷ +40 °C	-10 ÷ +40 °C	-10 ÷ +40 °C
Relative humidity **	10 ÷ 85%	10 ÷ 85%	10 ÷ 85%	10 ÷ 85%
Transport and storage temperature	-10 ÷ +50 °C	-10 ÷ +50 °C	-10 ÷ +50 °C	-10 ÷ +50 °C
Weighing pan dimensions	800 × 800 mm	800 × 800 mm	1000 × 1000 mm	1000 × 1000 mm
Net weight	55 kg	55 kg	80 kg	80 kg
Gross weight	75 kg	75 kg	105 kg	105 kg
Platform packaging dimensions	900 × 900 × 430 mm	900 × 900 × 430 mm	1100 × 1100 × 430 mm	1100 × 1100 × 430 mm

* option: dual range weighing instrument

** non-condensing conditions

	PL/4/1500/H7*	PL/4 1500 H8*	PL/4/3000/H8*	PL/4/1500/H8/9*
Maximum capacity [Max]	1500 kg	1500 kg	3000 kg	1500 kg
Platform material	stainless steel AISI 304	stainless steel AISI 304	stainless steel AISI 304	stainless steel AISI 304
Weighing pan material	stainless steel AISI 304	stainless steel AISI 304	stainless steel AISI 304	stainless steel AISI 304
Ingress protection - platform	IP 68	IP 68	IP 68	IP 68
Operating temperature	-10 ÷ +40 °C	-10 ÷ +40 °C	-10 ÷ +40 °C	-10 ÷ +40 °C
Relative humidity **	10 ÷ 85%	10 ÷ 85%	10 ÷ 85%	10 ÷ 85%
Transport and storage temperature	-10 ÷ +50 °C	-10 ÷ +50 °C	-10 ÷ +50 °C	-10 ÷ +50 °C
Weighing pan dimensions	1000 × 1000 mm	1200 × 1200 mm	1200 × 1200 mm	1200 × 1500 mm
Net weight	80 kg	120 kg	125 kg	150 kg
Gross weight	105 kg	155 kg	160 kg	185 kg
Platform packaging dimensions	1100 × 1100 × 430 mm	1300 × 1300 × 450 mm	1300 × 1300 × 450 mm	1600 × 1300 × 430 mm

* option: dual range weighing instrument

** non-condensing conditions

	PL/4/3000/H8/9*	PL/4/1500/H9*	PL/4/3000/H9*	PL/4/3000/H10*
Maximum capacity [Max]	3000 kg	1500 kg	3000 kg	3000 kg
Platform material	stainless steel AISI 304	stainless steel AISI 304	stainless steel AISI 304	stainless steel AISI 304
Weighing pan material	stainless steel AISI 304	stainless steel AISI 304	stainless steel AISI 304	stainless steel AISI 304
Ingress protection - platform	IP 68	IP 68	IP 68	IP 68
Operating temperature	-10 ÷ +40 °C	-10 ÷ +40 °C	-10 ÷ +40 °C	-10 ÷ +40 °C
Relative humidity **	10 ÷ 85%	10 ÷ 85%	10 ÷ 85%	10 ÷ 85%
Transport and storage temperature	-10 ÷ +50 °C	-10 ÷ +50 °C	-10 ÷ +50 °C	-10 ÷ +50 °C
Weighing pan dimensions	1200 × 1500 mm	1500 × 1500 mm	1500 × 1500 mm	1500 × 2000 mm
Net weight	155 kg	185 kg	190 kg	345 kg
Gross weight	190 kg	235 kg	240 kg	395 kg
Platform packaging dimensions	1600 × 1300 × 430 mm	1600 × 1600 × 430 mm	1600 × 1600 × 430 mm	2100 × 1600 × 500 mm

* option: dual range weighing instrument

** non-condensing conditions

PL/4/6000/H10*

Maximum capacity [Max]	6000 kg
Platform material	stainless steel AISI 304
Weighing pan material	stainless steel AISI 304
Ingress protection - platform	IP 68
Operating temperature	-10 ÷ +40 °C
Relative humidity **	10 ÷ 85%
Transport and storage temperature	-10 ÷ +50 °C
Weighing pan dimensions	1500 × 2000 mm
Net weight	345 kg
Gross weight	395 kg
Platform packaging dimensions	2100 × 1600 × 500 mm

* option: dual range weighing instrument

** non-condensing conditions

	PL/4/300/H6/Z	PL/4/600/H6/Z*	PL/4/300/H7/Z	PL/4/600/H7/Z*
Maximum capacity [Max]	300 kg	600 kg	300 kg	600 kg
Platform material	stainless steel AISI 304	stainless steel AISI 304	stainless steel AISI 304	stainless steel AISI 304
Weighing pan material	stainless steel AISI 304	stainless steel AISI 304	stainless steel AISI 304	stainless steel AISI 304
Ingress protection - platform	IP 68	IP 68	IP 68	IP 68
Operating temperature	-10 ÷ +40 °C	-10 ÷ +40 °C	-10 ÷ +40 °C	-10 ÷ +40 °C
Relative humidity **	10 ÷ 85%	10 ÷ 85%	10 ÷ 85%	10 ÷ 85%
Transport and storage temperature	-10 ÷ +50 °C	-10 ÷ +50 °C	-10 ÷ +50 °C	-10 ÷ +50 °C
Weighing pan dimensions	800 × 800 mm	800 × 800 mm	1000 × 1000 mm	1000 × 1000 mm
Net weight	55 kg	55 kg	80 kg	80 kg
Gross weight	95 kg	95 kg	125 kg	125 kg
Platform packaging dimensions	1000 × 1000 × 430 mm	1000 × 1000 × 430 mm	1200 × 1200 × 430 mm	1200 × 1200 × 430 mm

* option: dual range weighing instrument

** non-condensing conditions

	PL/4/1500/H7/Z*	PL/4/1500/H8/Z*	PL/4/3000/H8/Z*	PL/4/1500/H8/9/Z*
Maximum capacity [Max]	1500 kg	1500 kg	3000 kg	1500 kg
Platform material	stainless steel AISI 304	stainless steel AISI 304	stainless steel AISI 304	stainless steel AISI 304
Weighing pan material	stainless steel AISI 304	stainless steel AISI 304	stainless steel AISI 304	stainless steel AISI 304
Ingress protection - platform	IP 68	IP 68	IP 68	IP 68
Operating temperature	-10 ÷ +40 °C	-10 ÷ +40 °C	-10 ÷ +40 °C	-10 ÷ +40 °C
Relative humidity **	10 ÷ 85%	10 ÷ 85%	10 ÷ 85%	10 ÷ 85%
Transport and storage temperature	-10 ÷ +50 °C	-10 ÷ +50 °C	-10 ÷ +50 °C	-10 ÷ +50 °C
Weighing pan dimensions	1000 × 1000 mm	1200 × 1200 mm	1200 × 1200 mm	1200 × 1500 mm
Net weight	90 kg	120 kg	125 kg	150 kg
Gross weight	135 kg	175 kg	185 kg	215 kg
Platform packaging dimensions	1200 × 1200 × 430 mm	1400 × 1400 × 430 mm	1400 × 1400 × 430 mm	1700 × 1400 × 430 mm

* option: dual range weighing instrument

** non-condensing conditions

	PL/4/3000/H8/9/Z*	PL/4/1500/H9/Z*	PL/4/3000/H9/Z*	PL/4/3000/H10/Z*
Maximum capacity [Max]	3000 kg	1500 kg	3000 kg	3000 kg
Platform material	stainless steel AISI 304	stainless steel AISI 304	stainless steel AISI 304	stainless steel AISI 304
Weighing pan material	stainless steel AISI 304	stainless steel AISI 304	stainless steel AISI 304	stainless steel AISI 304
Ingress protection - platform	IP 68	IP 68	IP 68	IP 68
Operating temperature	-10 ÷ +40 °C	-10 ÷ +40 °C	-10 ÷ +40 °C	-10 ÷ +40 °C
Relative humidity **	10 ÷ 85%	10 ÷ 85%	10 ÷ 85%	10 ÷ 85%
Transport and storage temperature	-10 ÷ +50 °C	-10 ÷ +50 °C	-10 ÷ +50 °C	-10 ÷ +50 °C
Weighing pan dimensions	1200 × 1500 mm	1500 × 1500 mm	1500 × 1500 mm	1500 × 2000 mm
Net weight	155 kg	185 kg	195 kg	280 kg
Gross weight	225 kg	245 kg	265 kg	365 kg
Platform packaging dimensions	1700 × 1400 × 430 mm	1700 × 1700 × 430 mm	1700 × 1700 × 430 mm	2200 × 1700 × 500 mm

* option: dual range weighing instrument

** non-condensing conditions

	PL/4/6000/H10/Z*
Maximum capacity [Max]	6000 kg
Platform material	stainless steel AISI 304
Weighing pan material	stainless steel AISI 304
Ingress protection - platform	IP 68
Operating temperature	-10 ÷ +40 °C
Relative humidity **	10 ÷ 85%
Transport and storage temperature	-10 ÷ +50 °C
Weighing pan dimensions	1500 × 2000 mm
Net weight	345 kg
Gross weight	435 kg
Platform packaging dimensions	2200 × 1700 × 500 mm

* option: dual range weighing instrument

** non-condensing conditions

	PL/4N/150/H1	PL/4N/300/H1	PL/4N/600/H1*	PL/4N/300/H2
Maximum capacity [Max]	150 kg	300 kg	600 kg	300 kg
Platform material	stainless steel AISI 304	stainless steel AISI 304	stainless steel AISI 304	stainless steel AISI 304
Weighing pan material	stainless steel AISI 304	stainless steel AISI 304	stainless steel AISI 304	stainless steel AISI 304
Ingress protection - platform	IP 68	IP 68	IP 68	IP 68
Operating temperature	-10 ÷ +40 °C	-10 ÷ +40 °C	-10 ÷ +40 °C	-10 ÷ +40 °C
Relative humidity **	10 ÷ 85%	10 ÷ 85%	10 ÷ 85%	10 ÷ 85%
Transport and storage temperature	-10 ÷ +50 °C	-10 ÷ +50 °C	-10 ÷ +50 °C	-10 ÷ +50 °C
Weighing pan dimensions	840 × 860 mm	840 × 860 mm	840 × 860 mm	1100 × 1200 mm
Net weight	100 kg	100 kg	100 kg	145 kg
Gross weight	130 kg	130 kg	130 kg	185 kg
Platform packaging dimensions	1250 × 950 × 500 mm	1250 × 950 × 500 mm	1250 × 950 × 500 mm	1500 × 1300 × 500 mm

* option: dual range weighing instrument

** non-condensing conditions

	PL/4N/600/H2*	PL/4N/1500/H2*	PL/4N/300/H3	PL/4N/600/H3*
Maximum capacity [Max]	600 kg	1500 kg	300 kg	600 kg
Platform material	stainless steel AISI 304	stainless steel AISI 304	stainless steel AISI 304	stainless steel AISI 304
Weighing pan material	stainless steel AISI 304	stainless steel AISI 304	stainless steel AISI 304	stainless steel AISI 304
Ingress protection - platform	IP 68	IP 68	IP 68	IP 68
Operating temperature	-10 ÷ +40 °C	-10 ÷ +40 °C	-10 ÷ +40 °C	-10 ÷ +40 °C
Relative humidity **	10 ÷ 85%	10 ÷ 85%	10 ÷ 85%	10 ÷ 85%
Transport and storage temperature	-10 ÷ +50 °C	-10 ÷ +50 °C	-10 ÷ +50 °C	-10 ÷ +50 °C
Weighing pan dimensions	1100 × 1200 mm	1100 × 1200 mm	1200 × 1500 mm	1200 × 1500 mm
Net weight	145 kg	185 kg	175 kg	175 kg
Gross weight	185 kg	220 kg	215 kg	215 kg
Platform packaging dimensions	1500 × 1300 × 500 mm	1500 × 1300 × 500 mm	1600 × 1600 × 500 mm	1600 × 1600 × 500 mm

* option: dual range weighing instrument

** non-condensing conditions

	PL/4N/1500/H3*	PL/4N/300/H4	PL/4N/600/H4*	PL/4N/1500/H4*
Maximum capacity [Max]	1500 kg	300 kg	600 kg	1500 kg
Platform material	stainless steel AISI 304	stainless steel AISI 304	stainless steel AISI 304	stainless steel AISI 304
Weighing pan material	stainless steel AISI 304	stainless steel AISI 304	stainless steel AISI 304	stainless steel AISI 304
Ingress protection - platform	IP 68	IP 68	IP 68	IP 68
Operating temperature	-10 ÷ +40 °C	-10 ÷ +40 °C	-10 ÷ +40 °C	-10 ÷ +40 °C
Relative humidity **	10 ÷ 85%	10 ÷ 85%	10 ÷ 85%	10 ÷ 85%
Transport and storage temperature	-10 ÷ +50 °C	-10 ÷ +50 °C	-10 ÷ +50 °C	-10 ÷ +50 °C
Weighing pan dimensions	1200 × 1500 mm	1500 × 1500 mm	1500 × 1500 mm	1500 × 1500 mm
Net weight	225 kg	265 kg	265 kg	265 kg
Gross weight	265 kg	305 kg	305 kg	305 kg
Platform packaging dimensions	1600 × 1600 × 500 mm	1900 × 1600 × 500 mm	1900 × 1600 × 500 mm	1900 × 1600 × 500 mm

* option: dual range weighing instrument

** non-condensing conditions

	PL/4N/150/H1.LD	PL/4N/300/H1.LD	PL/4N/600/H1.LD*	PL/4N/300/H2.LD
Maximum capacity [Max]	150 kg	300 kg	600 kg	300 kg
Platform material	stainless steel AISI 304	stainless steel AISI 304	stainless steel AISI 304	stainless steel AISI 304
Weighing pan material	stainless steel AISI 304	stainless steel AISI 304	stainless steel AISI 304	stainless steel AISI 304
Ingress protection - platform	IP 68	IP 68	IP 68	IP 68
Operating temperature	-10 ÷ +40 °C	-10 ÷ +40 °C	-10 ÷ +40 °C	-10 ÷ +40 °C
Relative humidity **	10 ÷ 85%	10 ÷ 85%	10 ÷ 85%	10 ÷ 85%
Transport and storage temperature	-10 ÷ +50 °C	-10 ÷ +50 °C	-10 ÷ +50 °C	-10 ÷ +50 °C
Weighing pan dimensions	840 × 860 mm	840 × 860 mm	840 × 860 mm	1100 × 1200 mm
Net weight	100 kg	100 kg	100 kg	145 kg
Gross weight	130 kg	130 kg	130 kg	185 kg
Platform packaging dimensions	1250 × 950 × 500 mm	1250 × 950 × 500 mm	1250 × 950 × 500 mm	1500 × 1300 × 500 mm

* option: dual range weighing instrument

** non-condensing conditions

	PL/4N/600/H2.LD*	PL/4N/1500/H2.LD*	PL/4N/300/H3.LD	PL/4N/600/H3.LD*
Maximum capacity [Max]	600 kg	1500 kg	300 kg	600 kg
Platform material	stainless steel AISI 304	stainless steel AISI 304	stainless steel AISI 304	stainless steel AISI 304
Weighing pan material	stainless steel AISI 304	stainless steel AISI 304	stainless steel AISI 304	stainless steel AISI 304
Ingress protection - platform	IP 68	IP 68	IP 68	IP 68
Operating temperature	-10 ÷ +40 °C	-10 ÷ +40 °C	-10 ÷ +40 °C	-10 ÷ +40 °C
Relative humidity **	10 ÷ 85%	10 ÷ 85%	10 ÷ 85%	10 ÷ 85%
Transport and storage temperature	-10 ÷ +50 °C	-10 ÷ +50 °C	-10 ÷ +50 °C	-10 ÷ +50 °C
Weighing pan dimensions	1100 × 1200 mm	1100 × 1200 mm	1200 × 1500 mm	1200 × 1500 mm
Net weight	145 kg	185 kg	175 kg	175 kg
Gross weight	185 kg	220 kg	215 kg	215 kg
Platform packaging dimensions	1500 × 1300 × 500 mm	1500 × 1300 × 500 mm	1600 × 1600 × 500 mm	1600 × 1600 × 500 mm

* option: dual range weighing instrument

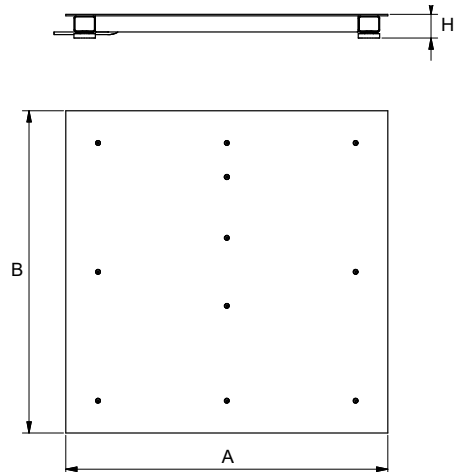
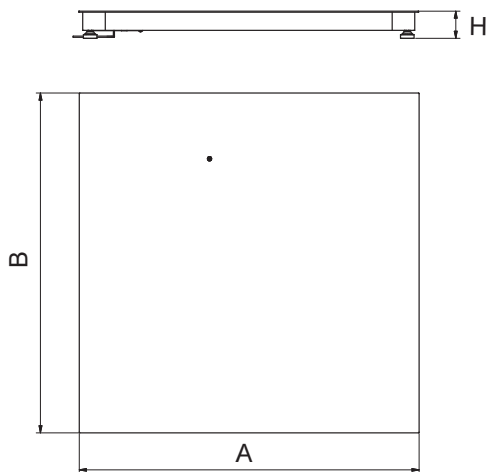
** non-condensing conditions

	PL/4N/1500/H3.LD*	PL/4N/300/H4.LD	PL/4N/600/H4.LD*	PL/4N/1500/H4.LD*
Maximum capacity [Max]	1500 kg	300 kg	600 kg	1500 kg
Platform material	stainless steel AISI 304	stainless steel AISI 304	stainless steel AISI 304	stainless steel AISI 304
Weighing pan material	stainless steel AISI 304	stainless steel AISI 304	stainless steel AISI 304	stainless steel AISI 304
Ingress protection - platform	IP 68	IP 68	IP 68	IP 68
Operating temperature	-10 ÷ +40 °C	-10 ÷ +40 °C	-10 ÷ +40 °C	-10 ÷ +40 °C
Relative humidity **	10 ÷ 85%	10 ÷ 85%	10 ÷ 85%	10 ÷ 85%
Transport and storage temperature	-10 ÷ +50 °C	-10 ÷ +50 °C	-10 ÷ +50 °C	-10 ÷ +50 °C
Weighing pan dimensions	1200 × 1500 mm	1500 × 1500 mm	1500 × 1500 mm	1500 × 1500 mm
Net weight	175 kg	265 kg	265 kg	265 kg
Gross weight	265 kg	305 kg	305 kg	305 kg
Platform packaging dimensions	1600 × 1600 × 500 mm	1900 × 1600 × 500 mm	1900 × 1600 × 500 mm	1900 × 1600 × 500 mm

* option: dual range weighing instrument

** non-condensing conditions

Dimensions



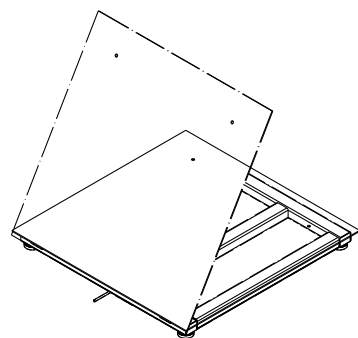
Platform	A	B	H
PLC/4/C6	800	800	120 ±10
PLC/4/C7	1000	1000	120 ±10
PLC/4/C8	1200	1200	120 ±10
PLC/4/C8/9	1200	1500	120 ±10
PLC/4/C9	1500	1500	120 ±10
PLC/4/C10	1500	2000	120 ±10
PLC/4/C11	2000	2000	120 ±10

dimensions in mm

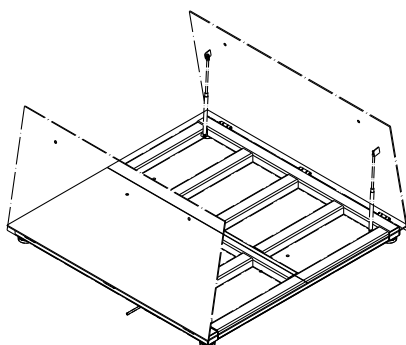
Platform	A	B	H
PL/4/H6	800	800	88 ±2
PL/4/H7	1000	1000	88 ±2
PL/4/H8	1200	1200	88 ±2
PL/4/H8/9	1200	1500	88 ±2
PL/4/H9	1500	1500	88 ±2
PL/4/H10	1500	2000	111 ±2

dimensions in mm

PLC/4/C

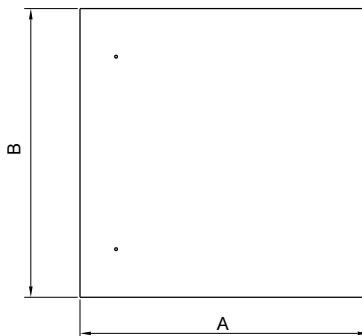
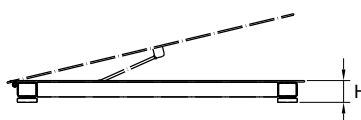


PL/4/H6/Z
PL/4/H7/Z
PL/4/H8/Z



PL/4/H8/9/Z
PL/4/H9/Z
PL/4/H10/Z

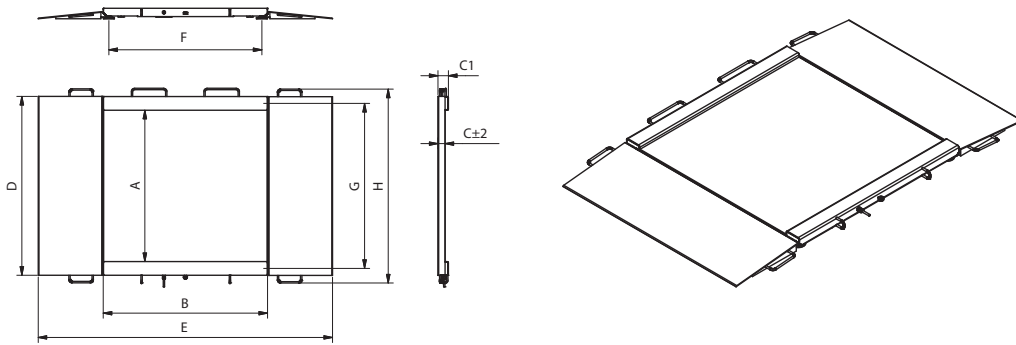
PL/4/H



Platform	A	B	H
PL/4/H6/Z	800	800	88 ±2
PL/4/H7/Z	1000	1000	88 ±2
PL/4/H8/Z	1200	1200	88 ±2
PL/4/H8/9/Z	1200	1500	88 ±2
PL/4/H9/Z	1500	1500	88 ±2
PL/4/H10/Z	1500	2000	111 ±2

dimensions in mm

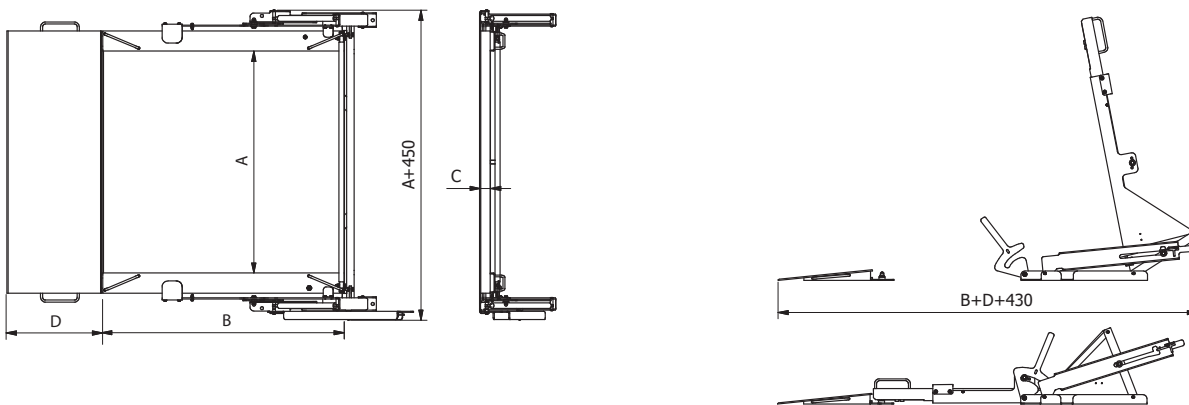
PL/4/H/Z



Platform	Max	A	B	C	C1	D	E	F	G	H
PL/4N/400/H1	400 kg	840	860	45.5	76	1040	approx. 1710	778	940	1170
PL/4N/400/H2	400 kg	1100	1200	45.5	76	1300	approx. 2050	1118	1200	1430
PL/4N/800/H2	800 kg	1100	1200	45.5	76	1300	approx. 2050	1118	1200	1430
PL/4N/800/H3	800 kg	1200	1500	45.5	76	1400	approx. 2350	1418	1300	1530
PL/4N/1500/H2	1500 kg	1100	1200	52.5	76	1300	approx. 2150	1118	1200	1430
PL/4N/1500/H3	1500 kg	1200	1500	52.5	76	1400	approx. 2450	1418	1300	1530
PL/4N/1500/H4	1500 kg	1500	1500	52.5	76	1700	approx. 2450	1418	1600	1830

dimensions in mm

PL/4/N



Platform	A	B	C	D
PL/4/N/150/H1.LD	840	860	45	426
PL/4/N/300/H1.LD	840	860	45	426
PL/4/N/600/H1.LD	840	860	45	426
PL/4/N/300/H2.LD	1100	1200	45	426
PL/4/N/600/H2.LD	1100	1200	45	426
PL/4/N/300/H3.LD	1200	1500	45	426
PL/4/N/600/H3.LD	1200	1500	45	426
PL/4/N/1500/H2.LD	1100	1200	52	476
PL/4/N/1500/H3.LD	1200	1500	52	476
PL/4/N/300/H4.LD	1500	1500	52	476
PL/4/N/600/H4.LD	1500	1500	52	476
PL/4/N/1500/H4.LD	1500	1500	52	476

dimensions in mm

PL/4/N.LD

Accessories

Compatible weighing terminals

- PUE 5.15 / PUE 5.19
- PUE 7.1
- PUE HY10
- PUE C/31
- PUE C/31H
- PUE C32
- PUE C/41H