

# 5Y Mass Comparators

UMA Mass Comparators

## USER MANUAL

IMK0-02-02-09-24-EN



[www.radwag.com](http://www.radwag.com)

Thank you for choosing and purchasing the RADWAG comparator. The comparator has been designed and manufactured to serve you for many years.  
Please read this manual to assure its reliable operation.

SEPTEMBER 2024

## Contents

<b>1. BASIC INFORMATION .....</b>	<b>7</b>
1.1. Intended use .....	7
1.2. Safety precautions .....	7
1.3. Guarantee terms.....	7
1.4. Mass comparator metrological parameters supervision.....	7
1.5. Information in the manual.....	8
1.6. Personnel training .....	8
<b>2. TRANSPORTATION AND STORAGE .....</b>	<b>8</b>
2.1. Delivery check .....	8
2.2. Packaging .....	8
<b>3. UNPACKING AND ASSEMBLY.....</b>	<b>8</b>
3.1. Place of installation, place of use.....	8
3.2. Unpacking .....	8
3.3. List of standard delivery items .....	8
3.4. Description of ports .....	9
3.5. Comparator installation.....	9
3.5.1. UMA 5 unpacking .....	10
3.5.2. UMA 100, UMA 200, UMA 1000 unpacking .....	12
3.6. Mass comparator cleaning .....	17
3.7. Connection to network.....	18
3.8. Mass comparator thermal stabilisation time.....	19
3.9. Connection of additional equipment.....	19
<b>4. MASS COMPARATOR START-UP.....</b>	<b>19</b>
<b>5. PROGRAM STRUCTURE.....</b>	<b>20</b>
<b>6. WEIGHING WINDOW .....</b>	<b>21</b>
<b>7. LOGIN.....</b>	<b>22</b>
<b>8. NAVIGATION IN THE MENU .....</b>	<b>23</b>
8.1. Mass comparator keypad.....	23
8.2. Voice commands.....	23
<b>9. COMPARISON .....</b>	<b>25</b>
9.1. Comparison unit selection .....	25
9.2. Principles of correct comparison .....	25
9.2.1. Placing weights in the UMA 5 comparator .....	26
9.2.2. Placement of weights in the UMA 100 comparator .....	36
9.2.3. Placement of weights in the UMA 200 comparator .....	39
9.2.4. Placement of weights in the UMA 1000 comparator.....	43
9.3. Mass comparator levelling .....	50
9.4. Mass comparator zeroing .....	50
9.5. Mass comparator tarring .....	50
9.6. Working mode activation.....	51
9.7. Working mode parameters .....	52
9.8. Quick-access keys, proximity sensors .....	52
9.8.1. Proximity sensors.....	53
9.9. Working mode - Comparator .....	54
9.10. Selection of measurement method in the mass comparator .....	55

9.11.	Declaration of the number of cycles.....	56
9.12.	Declaration of the number of A standard start-up placements.....	56
9.13.	Declaration of the number of B standard start-up placements.....	56
9.14.	Declaration of the number of start-up weighing cycles.....	56
9.15.	Start delay.....	56
9.16.	Tare mode.....	56
9.17.	Printout/approval mode.....	57
9.18.	Printouts.....	57
9.19.	Report on comparison processes.....	60
9.20.	Information and shortcut key management.....	60
9.21.	Comparison – basic procedure.....	61
9.21.1.	Automatic comparator operation.....	62
<b>10.</b>	<b>ADJUSTMENT.....</b>	<b>65</b>
10.1.	Internal adjustment.....	65
10.2.	External adjustment.....	65
10.3.	Adjustment test.....	65
10.4.	Automatic adjustment.....	66
10.5.	Automatic adjustment time.....	66
10.6.	Report printout.....	66
10.7.	GLP project.....	66
10.8.	Adjustment history.....	67
<b>11.</b>	<b>ADMINISTRATOR PANEL.....</b>	<b>67</b>
11.1.	Password settings.....	67
11.2.	Operator account settings.....	68
11.3.	Permission management.....	69
11.4.	Remote access password.....	70
<b>12.</b>	<b>PROFILES.....</b>	<b>70</b>
12.1.	Profile structure.....	71
12.1.1.	Settings.....	72
12.1.2.	Working modes.....	72
12.1.3.	Readout.....	72
12.1.4.	Units.....	74
<b>13.</b>	<b>DATABASES.....</b>	<b>75</b>
13.1.	Database operations.....	75
13.2.	Operators.....	76
13.3.	Products.....	81
13.4.	Clients.....	81
13.5.	Reference weights.....	82
13.6.	Test weights.....	82
13.7.	Comparison plans.....	83
13.8.	Packaging.....	83
13.9.	Warehouses.....	83
13.10.	Printouts.....	84
13.11.	Universal variables.....	87
13.12.	Database management.....	87
13.12.1.	Delete Databases.....	87
<b>14.</b>	<b>REPORTS.....</b>	<b>88</b>
14.1.	Operations in databases.....	88

14.2.	Weighing records .....	89
14.3.	Comparison reports .....	90
14.4.	Weight adjustment reports .....	90
14.5.	Ambient conditions .....	90
14.6.	Manage reports .....	91
14.6.1.	Export weighing database to file .....	91
14.6.2.	Delete weighing records and reports .....	92
<b>15.</b>	<b>COMMUNICATION .....</b>	<b>93</b>
15.1.	RS 232 settings .....	93
15.2.	ETHERNET settings .....	94
15.3.	Wi-Fi settings .....	94
15.3.1.	General information on Hot Spot service .....	95
15.3.2.	Activation of Hot Spot service .....	96
15.4.	TCP settings .....	98
15.5.	Virtual COM settings .....	98
<b>16.</b>	<b>PERIPHERALS .....</b>	<b>99</b>
16.1.	Computer .....	99
16.1.1.	Computer port .....	99
16.1.2.	USB Free Link .....	99
16.1.3.	Computer address .....	100
16.1.4.	Continuous transmission .....	100
16.1.5.	Interval .....	100
16.1.6.	Weighing printout template .....	101
16.2.	Printer .....	101
16.3.	Barcode scanner .....	103
16.3.1.	Barcode scanner port .....	103
16.3.2.	Prefix / Suffix .....	104
16.3.3.	Field selection .....	104
16.3.4.	Test .....	105
16.4.	Environmental module .....	105
16.5.	IM02 communication module .....	105
16.5.1.	Activation of connection between IM02 and mass comparator .....	105
<b>17.</b>	<b>INPUTS / OUTPUTS .....</b>	<b>106</b>
17.1.	Input configuration .....	106
17.2.	Output configuration .....	106
<b>18.</b>	<b>MISCELLANEOUS .....</b>	<b>107</b>
18.1.	Interface language selection .....	107
18.2.	Date and time setting .....	107
18.3.	Extension module .....	108
18.4.	Sound .....	109
18.5.	Visual result approval .....	109
18.6.	Screen saving .....	109
18.7.	Display brightness .....	109
18.8.	Vibration detection .....	109
18.9.	Level control .....	110
18.10.	Decimal point .....	110
18.11.	Sensors sensitivity .....	110
18.12.	Autotest .....	111
18.13.	Start-up logo .....	114

18.14.	Exporting system events .....	114
18.15.	Text-to-speech conversion .....	114
<b>19.</b>	<b>SCHEDULED TASKS .....</b>	<b>115</b>
19.1.	Adjustment .....	115
19.2.	Message.....	116
<b>20.</b>	<b>AMBIENT CONDITIONS .....</b>	<b>118</b>
<b>21.</b>	<b>UPDATE.....</b>	<b>118</b>
<b>22.</b>	<b>SYSTEM INFO .....</b>	<b>119</b>
<b>23.</b>	<b>COMMUNICATION PROTOCOL .....</b>	<b>120</b>
23.1.	Manual/automatic printout .....	120
<b>24.</b>	<b>CONNECTION OF PERIPHERALS .....</b>	<b>121</b>
<b>25.</b>	<b>ERROR MESSAGES.....</b>	<b>121</b>
<b>26.</b>	<b>ADDITIONAL EQUIPMENT .....</b>	<b>122</b>

## **1. BASIC INFORMATION**

### **1.1. Intended use**

5Y-series mass comparators are intended to determine mass differences between the reference weight (A) and test weight (B).

Mass comparators are usually used in weight-calibrating laboratories and national metrology institutes.

### **1.2. Safety precautions**

- Before you use the product, please read this operating manual carefully and use the device as designed.
- Do not use sharp tools (e.g. knife, screwdriver, etc.) to operate the touch panel.
- Place compared weights in the centre of the mass comparator weighing pan.
- The gross mass of weights placed onto the weighing pan must not exceed the maximum loading capacity of the mass comparator.
- In case of a failure, unplug the comparator immediately.
- The device that is to be decommissioned must be disposed of in accordance with currently applicable rules of law.
- Do not use the comparator in an explosive atmosphere. The comparator is not suitable for operation in hazardous zones.

### **1.3. Guarantee terms**

- A. RADWAG undertakes to repair or replace the elements that prove defective in terms of manufacture or structure.
- B. It is allowed to specify the defects of unclear origin and establish methods of eliminating these defects only in cooperation with representatives of the manufacturer and operator.
- C. RADWAG shall not be held responsible for any damage or losses arising from unauthorised or incorrect manufacturing, or servicing works.
- D. The guarantee does not cover the following:
  - mechanical damage caused by wrong use of the mass comparator as well as thermal and chemical damage arising from atmospheric discharge, power network overvoltage or other random incident,
  - mass comparator damage if the device has been used at variance with intended use,
  - mass comparator damage if the service technician can identify any signs of tampering or damage to the mass comparator mark that prevents against opening the body,
  - damage caused by liquids and natural wear,
  - mass comparator damage arising from wrong adaptation or electric system fault,
  - damage resulting from measuring mechanism overloading,
  - maintenance works (mass comparator cleaning).
- E. The guarantee cover is lost when:
  - the device is repaired out of the authorised service centre,
  - the service technician can detect any unauthorised interference into mechanical or electronic structure of the mass comparator,
  - other version of the operating system has been installed,
  - the mass comparator has no company safety signs.
- F. Detailed terms of the guarantee can be accessed in the service card.

### **1.4. Mass comparator metrological parameters supervision**

Metrological properties of the mass comparator must be checked by the operator at pre-defined time intervals. The checking frequency depends on the environment the mass comparator works in, types of comparison processes and the applicable quality supervision system.

## **1.5. Information in the manual**

Please carefully read the manual before you connect and activate the mass comparator, even if you are experienced in working with such devices. The manual contains all information required for proper operation of the device; adherence to guidelines presented therein guarantees correct and reliable operation of the mass comparator.

## **1.6. Personnel training**

The mass comparator must be used and supervised only by trained people who are experienced in using such devices.

# **2. TRANSPORTATION AND STORAGE**

## **2.1. Delivery check**

Upon delivery, the packaging and device must be checked instantly for potential signs of exterior damage. If any damage is found, contact the manufacturer's representative.

## **2.2. Packaging**

Keep all pieces of the packaging to reuse them and transport the mass comparator in the future. Only the original packaging of the mass comparator can be used for shipping. Before you pack the mass comparator, unplug all cables and remove moving parts (weighing pan, covers, inserts). Put mass comparator elements in the original packaging and secure it against damage during transportation.

# **3. UNPACKING AND ASSEMBLY**

## **3.1. Place of installation, place of use**

- The mass comparator must be stored and used in rooms that are free from vibrations and shocks, draughts and dust.
- The air temperature in the room must range from +15 °C to +30 °C, and temperature fluctuations must not exceed 0,5°C/12h.
- The relative humidity must be 40%÷60% and its fluctuations must not exceed 2%/4h.
- The mass comparator must be positioned on a wall bracket or stable table that is not exposed to vibrations and source of heat.
- Pay special attention to magnetic properties of test weights as a strong magnet is an integral part of the mass comparator. Their magnetic value must be zero.

## **3.2. Unpacking**

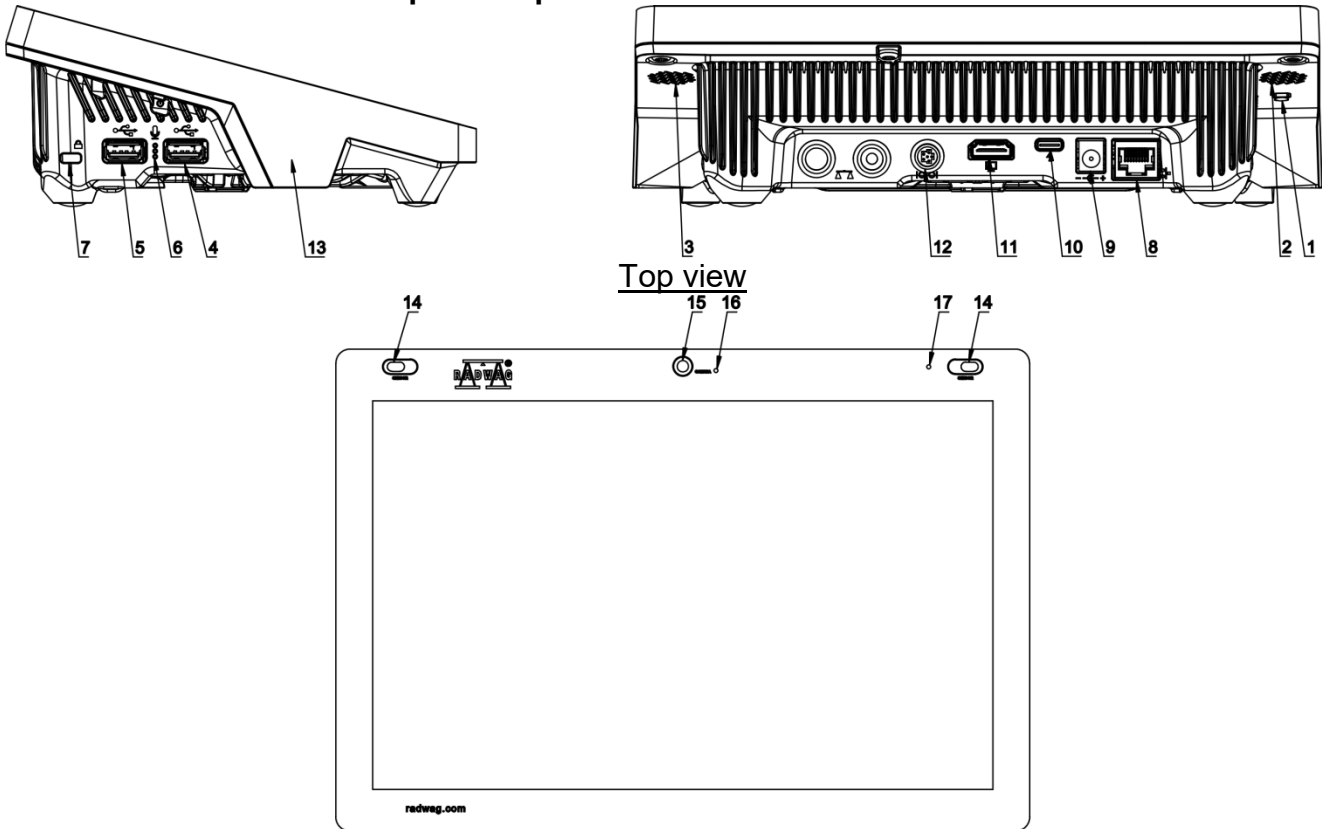
Slash the protective tape. Take the mass comparator out of the factory box. Remove all elements of the device from the accessory box.

## **3.3. List of standard delivery items**

- Mass comparator with weighing chamber
- Masking plate
- Draft shield with weighing pan shield
- Weighing pan
- Weighing pan load kit
- Weighing indicator
- Anti-draft chamber



### 3.4. Description of ports



<b>1</b>	Hard restart or ON/OFF key	<b>10</b>	USB-C power port
<b>2</b>	Left speaker	<b>11</b>	HDMI port
<b>3</b>	Right speaker	<b>12</b>	Media box port
<b>4</b>	USB-A port	<b>13</b>	RFID sensor
<b>5</b>	USB-A port	<b>14</b>	Reflective sensors
<b>6</b>	Microphone	<b>15</b>	Camera
<b>7</b>	Kensington Lock	<b>16</b>	Camera light
<b>8</b>	Ethernet port	<b>17</b>	Signalling light
<b>9</b>	Power port		

### 3.5. Comparator installation

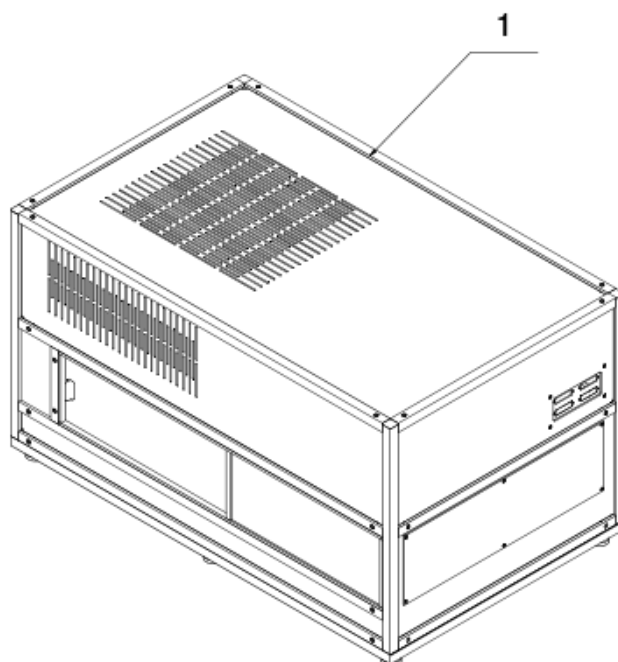
**Before you start installing the mass comparator, read the manual carefully to be able to follow its steps and properly prepare the device for operation.**

Note:

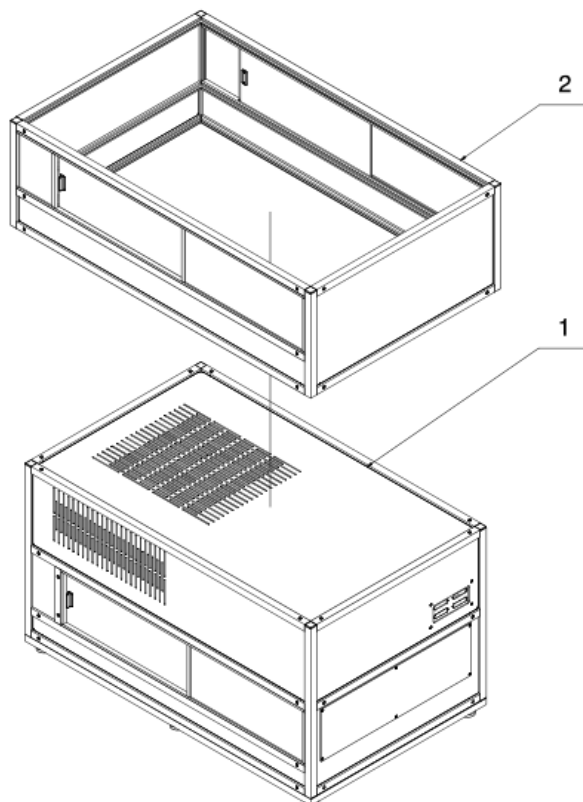
All steps must be taken with care and gently in order not to damage the mass comparator mechanism.

### 3.5.1. UMA 5 unpacking

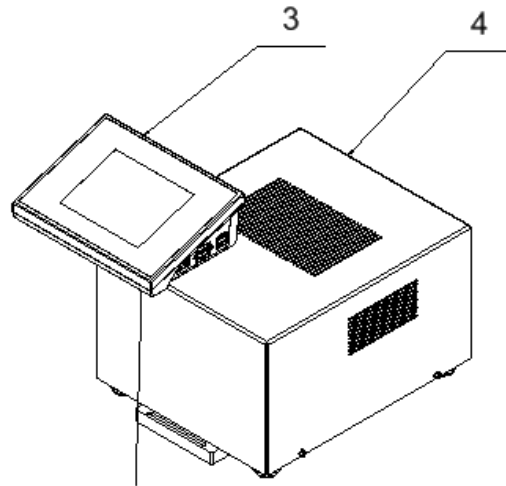
1. Take the comparator (1) out of the shipping box and position it in the working area. To remove the comparator, use dedicated lifting straps supplied with the machine.



2. Put the draft shield (2) onto the comparator body (1).

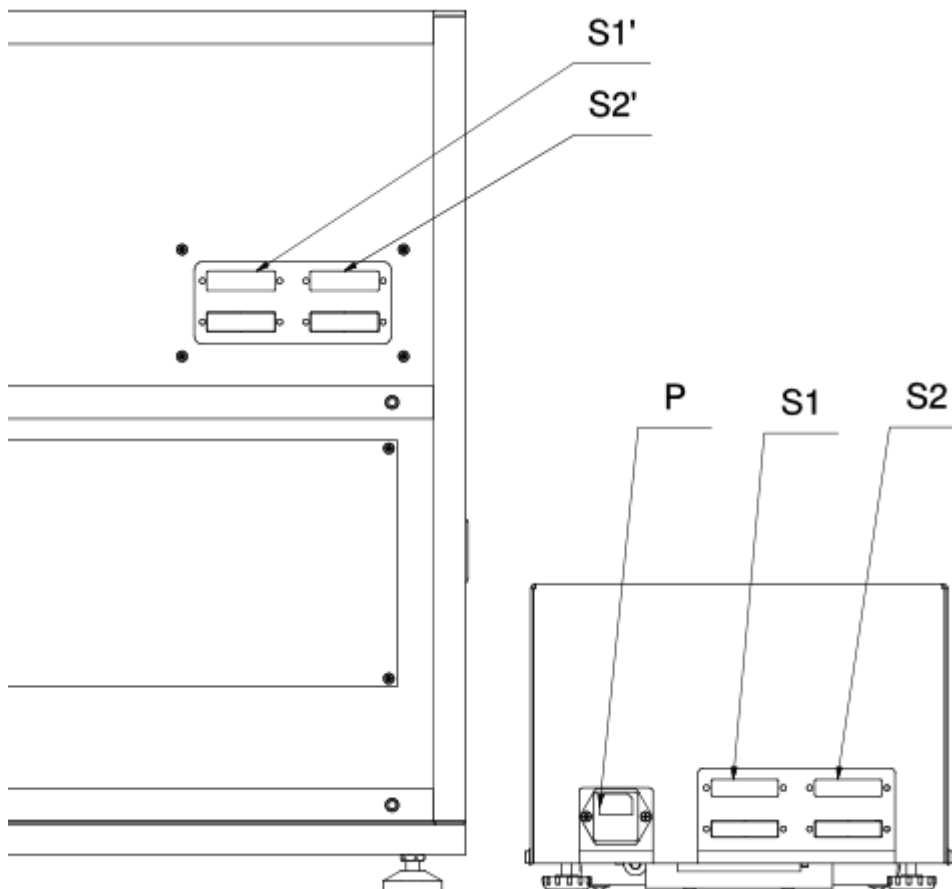


3. Put the terminal (3) onto the control box (4)



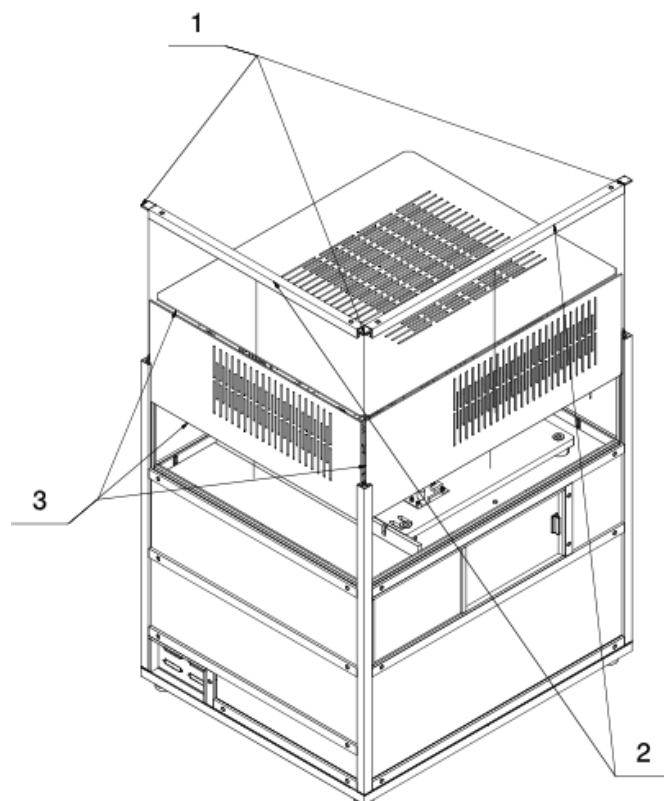
4. Use cables supplied to connect the comparator (1) to the control box (4). Follow the order below:

- power port (P) – power cable – electric socket
- control port (S1) – signal cable 1 – control port (S1')
- control port (S2)' – signal cable 2 – control port (S2')

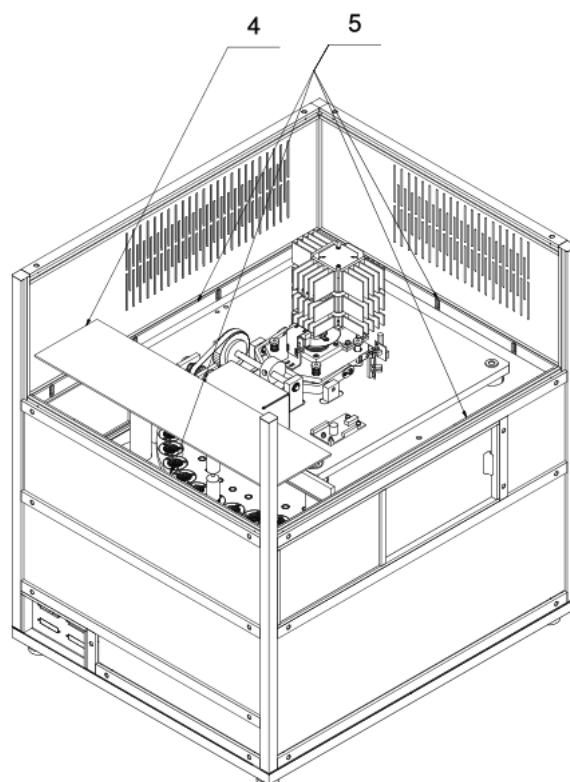


### 3.5.2. UMA 100, UMA 200, UMA 1000 unpacking

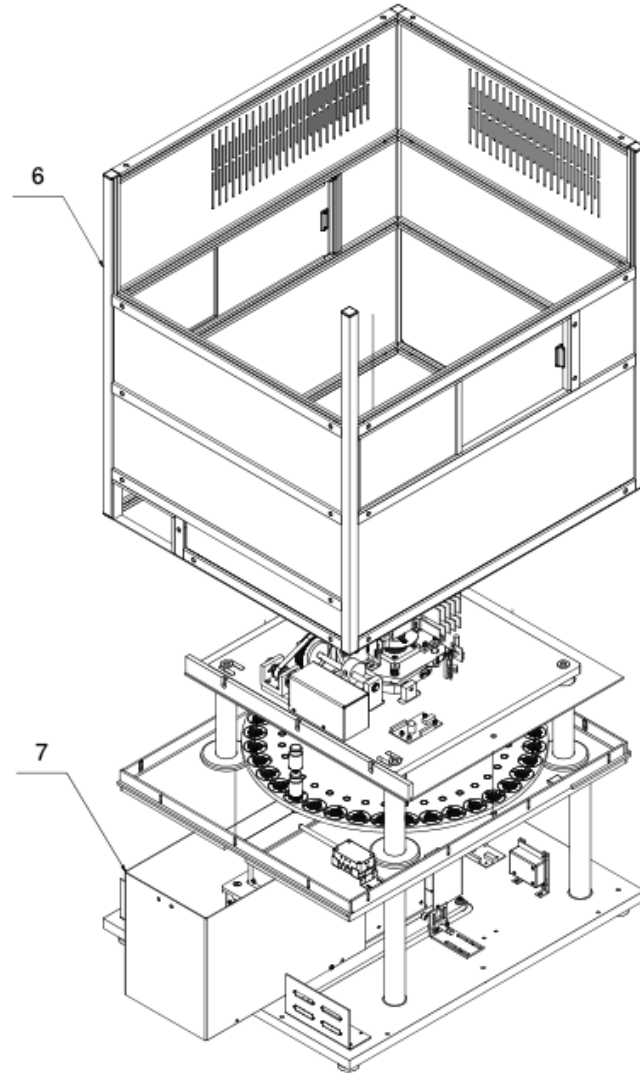
1. Take the comparator body out of the shipping box and position it in the working area. To remove the comparator, use dedicated lifting straps supplied with the machine.
2. Disassemble masking covers (1), sections (2) and masking plates (3)



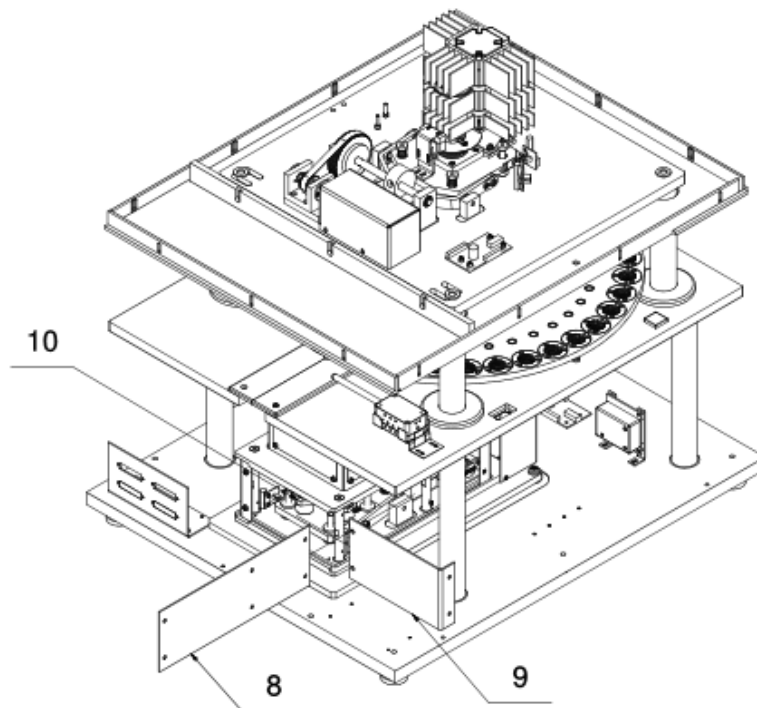
3. Disassemble thermal insulation with masking plate (4). Unscrew and detach supporting strips (5) – when unscrewed, the strips must be carefully placed in the weighing chamber.



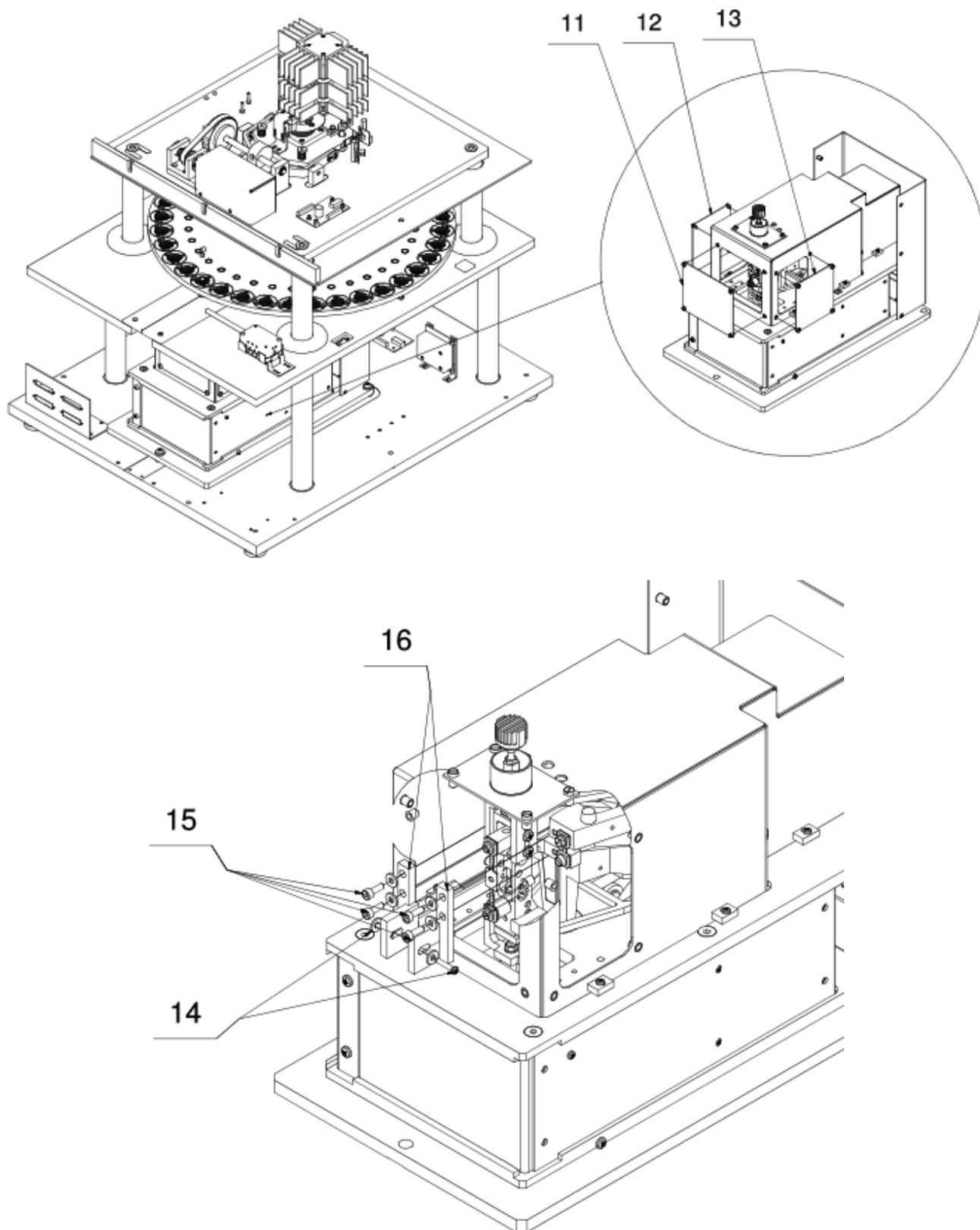
4. Remove the draft shield (6) and unscrew the inner cover (7)



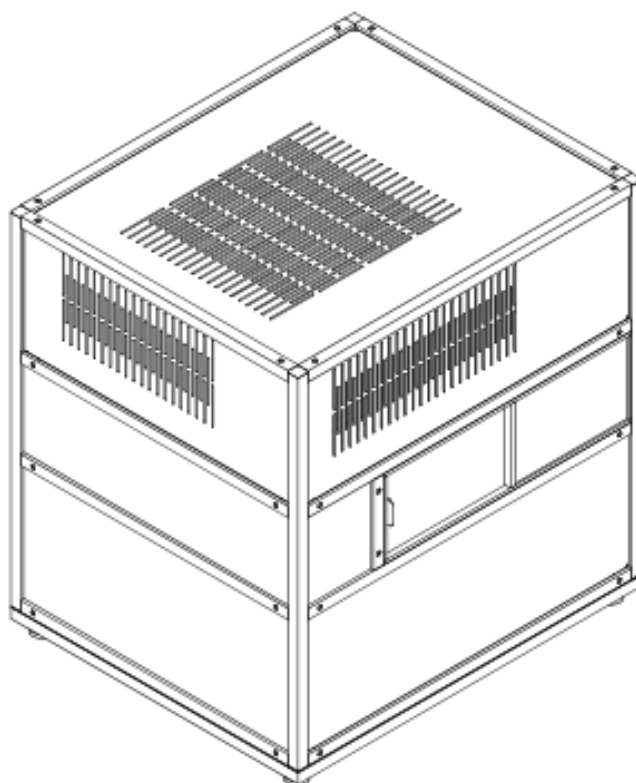
5. Unscrew lifting mechanism covers (8) (9) and remove shipping inserts (10) located between ballasts.



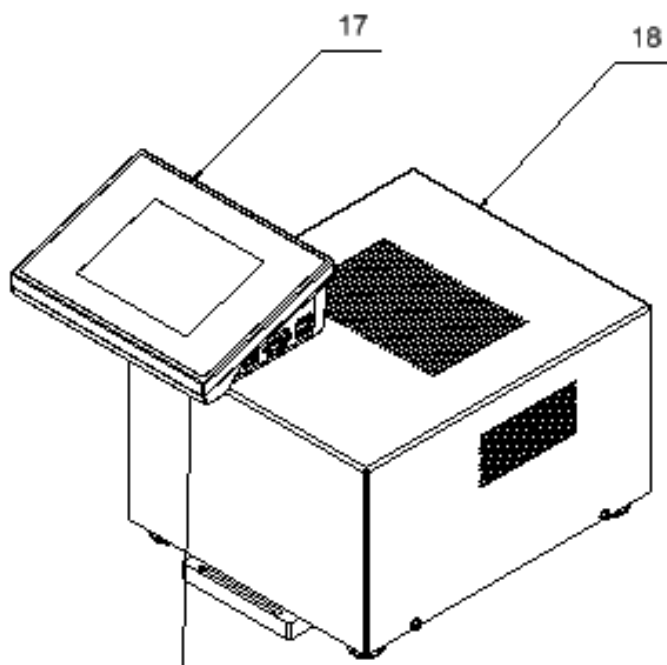
6. Assemble lifting mechanism covers (8) (9). Detach covers (11) (12) (13), unscrew bolts (14) and detach together with washers, unscrew bolts (15) and detach together with washers. Remove mechanism locks (16). Taking these steps, make sure you do not damage the comparator mechanism. At first pre-loosen the bolts (15) and then unscrew completely, holding locks (16) so that they do not hit the mechanism body.



7. Screw the covers (11) (12) (13) in, screw the inner cover (7) in. Put the draft shield (6) on and screw supporting strips (5) in. Put the thermally insulated masking plate on. Fix masking plates (3), sections (2) and masking covers (1).

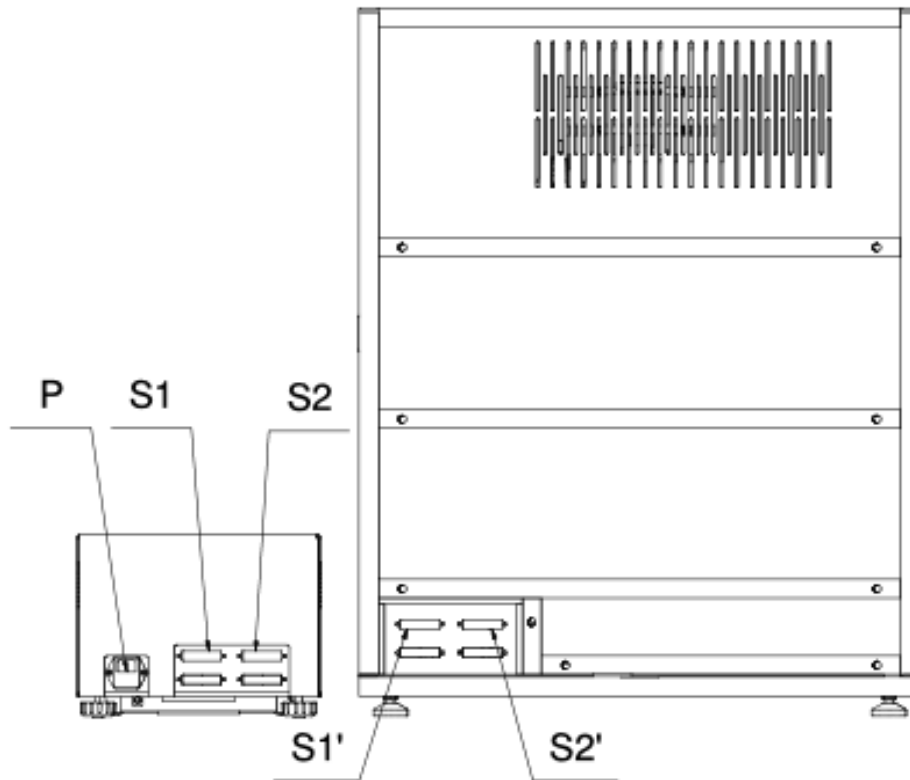


8. Put the terminal (17) onto the control box (18)



9. Use cables supplied to connect the comparator body to the control box (18). Follow the order below:

- power port (P) – power cable – electric socket
- control port (S1) – signal cable 1 – control port (S1')
- control port (S2)' – signal cable 2 – control port (S2')





### 3.4. Mass comparator cleaning

**Note:**

*If you clean the weighing pan while it is installed, you may damage the mass comparator.*

1. Disassemble the weighing pan and moving parts of the mass comparator. Take these steps with care in order not to damage the mass comparator mechanism.
2. As far as possible, use a small keyboard cleaner to suck the dust from the weighing chamber out.

Glass element cleaning:

*Depending on the type of dirt, a suitable solvent must be chosen. Never immerse glass in strong alkaline solutions as the glass may be damaged. It is forbidden to use abrasive agents.*

*In case of organic residues, acetone must be used. Only then is it allowed to use water and detergent. As for non-organic residues, diluted acid solutions are used (soluble hydrochloric or nitric acid salts) or bases (mostly sodium hydroxide, ammonium hydroxide).*

*ACIDS must be removed with basic solvents (sodium carbonate), while BASES with acidic solvents (mineral acids of various concentration).*

*With regard to stubborn dirt, use a brush and detergent. Avoid the detergents whose molecules are large and hard and therefore may scratch the glass.*

*At the end of the washing cycle, rinse the glass carefully with distilled water.*

*Always use soft brushes with a wooden or plastic grip to avoid scratching. Do not use wire brushes or equivalents with a wire core.*

*The rinsing cycle is required to make sure all residues (e.g. soap, detergent and other cleaning agents) are removed from glass items before they are reinstalled in the machine.*

*After initial cleaning, glass elements must be rinsed under running water and then distilled water.*

*It is not advisable to dry the glass with a paper towel or under a stream of forced air as it may introduce fibres or other pollutants into the glass elements and consequently lead to erroneous weighing.*

*Do not use electric dryers for measuring glassware.*

*After cleaning, glass elements are usually positioned on the shelf to let them dry off naturally.*

Powder-coated pieces cleaning:

*The first step should be cleaning with a gently moisturised large-pore sponge in order to eliminate loose and major dirt.*

*Do not use abrasive preparations.*

*If it is insufficient, use a suitable cloth or water solution and cleaning agent (soap, dishwashing liquid) to clean the surface. Press the cloth against the surface regularly.*

*Never use a dry detergent only as it may cause the coating to get damaged. Use a large amount of water or water solution with a cleaning agent.*

### Aluminium element cleaning

To clean aluminium, use products rich in natural acids. A synthetic vinegar and lemon will serve as perfect agents. It is forbidden to use abrasive agents. Do not use rough brushes for cleaning as they may easily scratch the aluminium surface. A soft microfibre cloth will be a perfect choice.

Clean polished surfaces by making circular movements. After removing dirt from the surface, polish the surface with a dry cloth to dry it off and make it shine.

### Stainless steel element cleaning:

While cleaning stainless steel elements, follow the table below. The table shows types of pollution and method of removing it.

Fingerprints	Wash with spirit or diluent. Rinse with pure water and wipe it dry.
Oils, fats, greases	Wash with organic solvents and then warm water and soap or soft detergent. Rinse with pure water and wipe it dry.
Stains and thermal decomposition	Wash with a soft scouring detergent, clean gently as per direction of the surface. Rinse with pure water and wipe it dry.
Strong discolouration	Clean gently as per direction of the surface. Rinse with pure water and wipe it dry.
Traces of rust	Moisten with oxalic acid solution and leave it for about 15-20 minutes. Then wash with warm water and soap or soft detergent. Rinse with pure water and wipe it dry.
Paints	Wash with paint thinner and then warm water with soap or soft detergent. Rinse with pure water and wipe it dry.
Surface scratches	Gently polish with unwoven cloth (iron-free) as per the surface direction and then wash with a soft scouring detergent. Rinse with pure water and wipe it dry.

### ABS element cleaning:

To clean dry surfaces, use clean cellulose or cotton clothes that do not leave streaks and do not dye. You can also use a water solution and cleaning agent (soap, dishwashing liquid, window cleaner). While cleaning, regularly press the cloth against the floor, wipe the cleaned surface and dry off. Repeat cleaning if necessary.

In case of stubborn dirt such as glue, gum, tar, polyurethane foam remains, etc., you can use special cleaning agents based on mixed aliphatic hydrocarbons that do not dissolve the material. Before using the cleaning agents, it is advisable to conduct usefulness tests for all surfaces. Do not use abrasive agents.

## **3.7. Connection to network**

The mass comparator can be connected to the network only with the use of the original power cable (supplied). The rated voltage of the device (specified in the rating plate) must comply with the mains rated voltage. To supply power to the mass comparator, plug the power cable into the mains socket and then power cable connector into the port at the back of the mass comparator housing.

### 3.8. Mass comparator thermal stabilisation time

Before you initiate measurements, wait for the mass comparator to stabilise thermally. With regard to mass comparators that have been stored at a way lower temperature (e.g. in winter) before being connected to the network, they need to acclimatise and heat up for about 12 hours. While the mass comparator is stabilising thermally, the values displayed may change. It is advisable to make sure the ambient temperature fluctuations in the place of using the mass comparator are minor and very slow.

### 3.9. Connection of additional equipment

Only the additional equipment recommended by the mass comparator manufacturer can be connected. Before you connect or change the additional equipment (e.g. printer, PC, USB keyboard or extra display unit), please unplug the comparator. After reconnecting the devices, plug the comparator in.

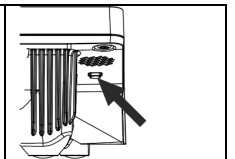
## 4. MASS COMPARATOR START-UP

- Supply power to the machine.

*NOTE: The product has two ports for the power adapter. One port is located in the readout head and the other at the back of the housing. The device can be powered either from the head or mechanism but it is forbidden to supply power from both sources at a time, using two power adapters. Otherwise you may damage the machine and power adapters.*

- The operating system and RADWAG software will starting loading after a while. Upon start-up, a signalling light and LED lights at the lower frontal part of the readout head will be flashing.
- Once the start-up procedure has ended, the home screen of the program will be displayed.
- The device activates with the unlogged operator (no operator). To start working, log in (the login procedure is described further in the manual).


*If the program crashes during operation, perform the so-called hard reset. To do so, press and hold the key in the head for about 5 seconds. The program will restart and the device will reactivate.*



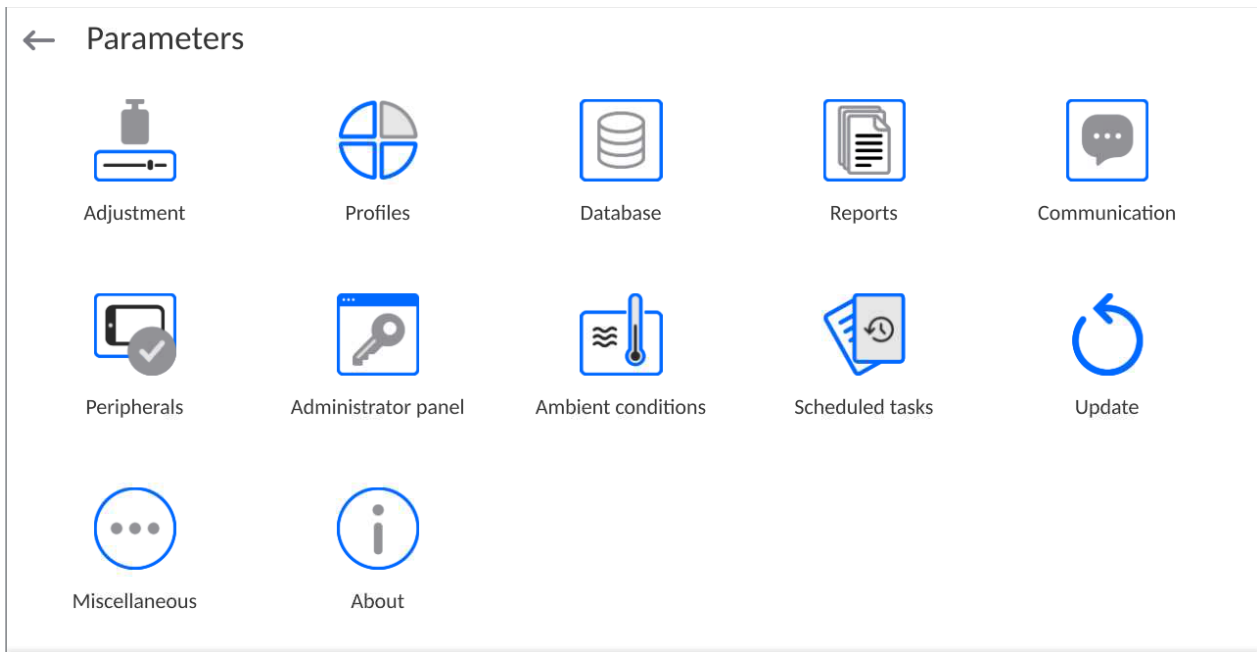
## 5. PROGRAM STRUCTURE

The main menu structure has been divided into function groups. Each group is home to parameters grouped by themes. The description of each group can be accessed further in the manual

### List of menu groups - Parameters

To gain access to the main menu, press the key in the lower bar of the screen - .

The menu contains parameters related to settings, functions and profiles.

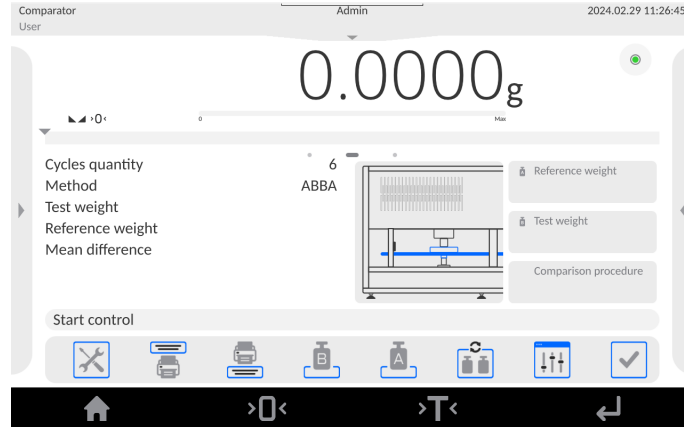


## 6. WEIGHING WINDOW

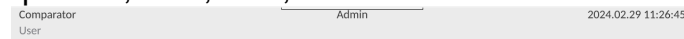


Some screen views showed in the manual are for reference and do not reflect a real design of the comparator screen.

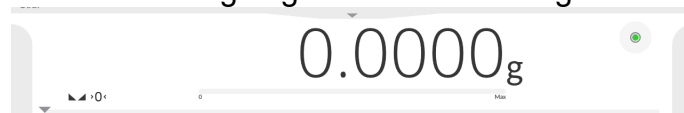
The main window can be divided into 5 fields:



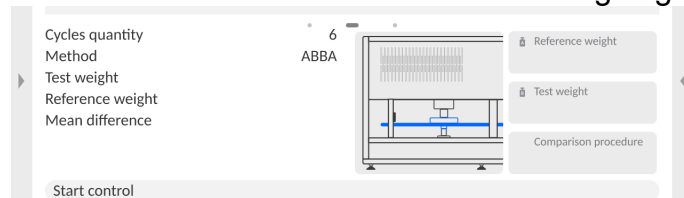
- At the top of the screen you can see information on the currently used working mode, logged operator, date, time, active connection to the computer.



- Below is a box with the weighing result and levelling status.



- This field contains additional information related to ongoing operations.



### Note:

The information in this field is freely programmable. The method of defining it is described further in the manual.

- Below are on-screen functional keys:



### Note:

The operator can define on-screen functional keys. The method of defining them is described further in the manual.

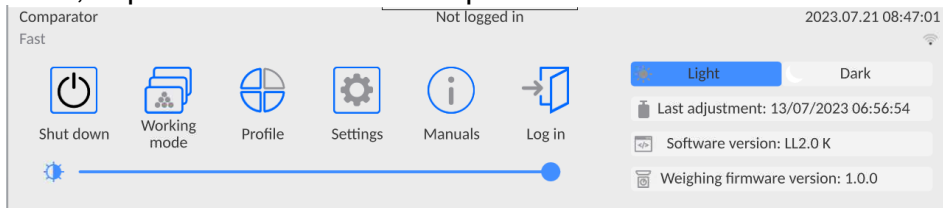
- Fixed functional keys can be found at the bottom of the screen:



## 7. LOGIN

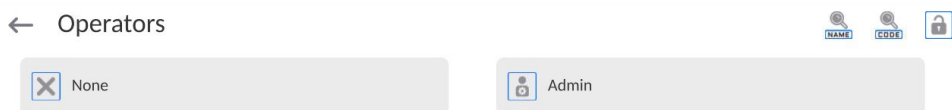
To gain full access to operator's parameters and be able to edit databases, the operator must log in as **<Administrator>**.

To do so, expand the menu at the top of the screen.



### First login:

- Expand the top menu and press **<Log in>** field. You will see operator base window with **<Admin>** item.



- By default this operator is not assigned an access password. Therefore, the operator is automatically redirected into the home screen after selecting it.

**NOTE: After the first login, the first step is to add operators and assign them relevant permission levels and unique access passwords (the procedures described further in the manual, see point 11 and 13.2).**

**When you log in again, select operator and enter password to make the program operate with specific operator's permission level.**

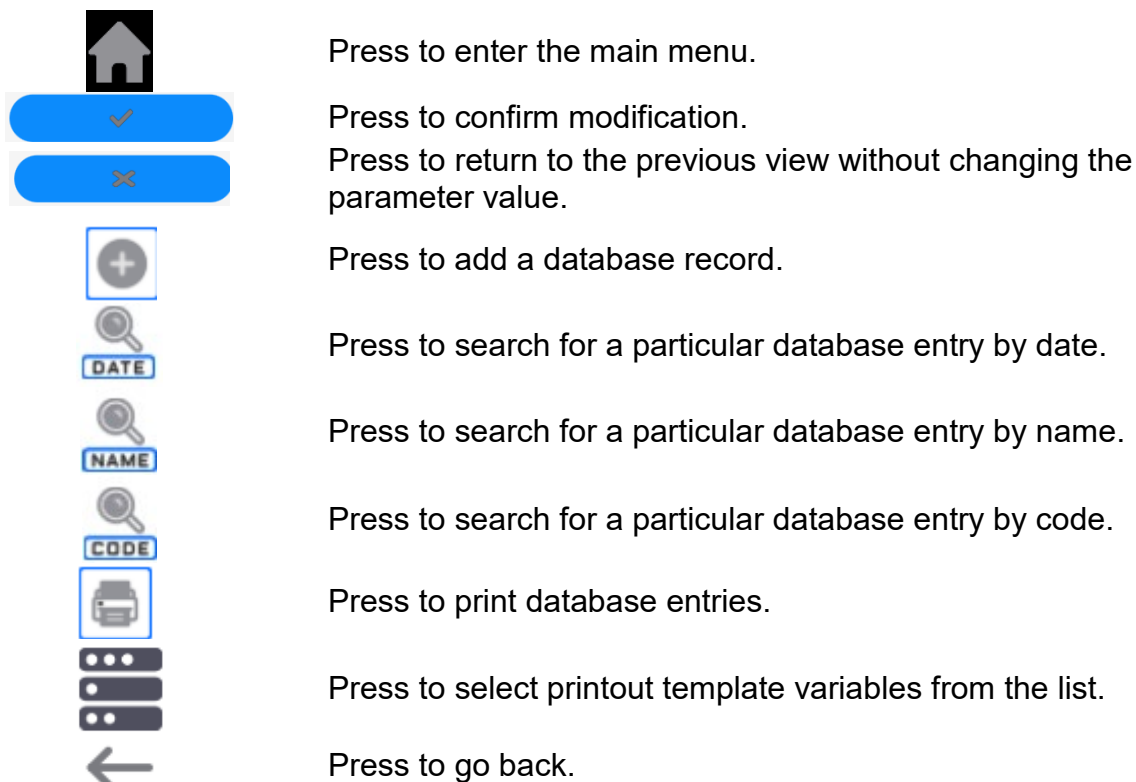
### Logout:

- Expand the menu at the top of the screen and press **<←>**.
- After collapsing the top menu in the top bar of the screen, you will see **<Not logged in>** inscription in the place of the name of logged operator.

## 8. NAVIGATION IN THE MENU

Navigation in the weighing program software menu is intuitive and uncomplicated. The touch panel makes the software operation easy. Press an on-screen key or an area on the display to initiate an assigned function or operation.

### 8.1. Mass comparator keypad



### 8.2. Voice commands

The software allows executing several functions through voice commands. These are the following: tarring, zeroing, result printing/saving. The commands must be expressed in English, in a proper sequence. See below for the structure of particular commands.


Tarring: **ellipsis** [please] (tare | tar | terre) [the] device

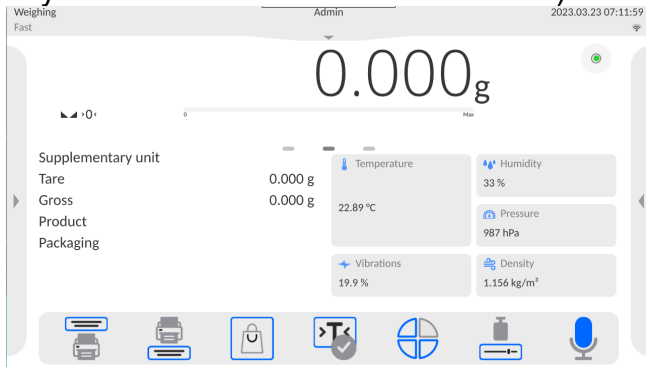
Zeroing: **ellipsis** [please] zero [the] device


Printing/Saving: **ellipsis** [please] save [the] (mass | measurement | mass measurement)

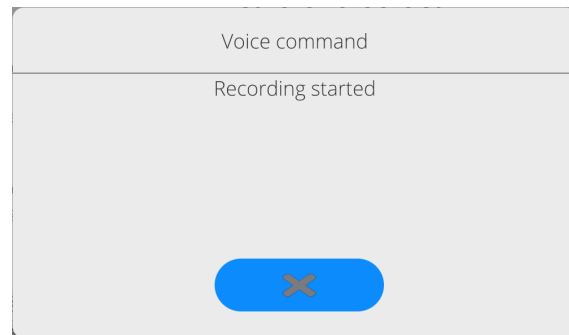
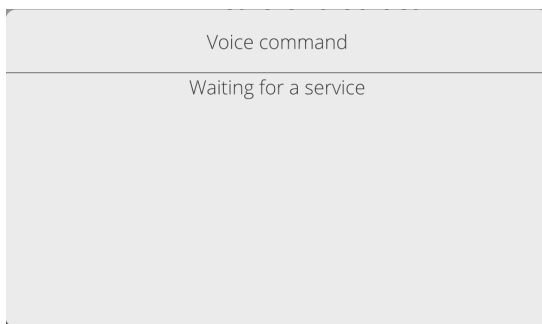
The method of expressing commands: black text obligatory, green – optional, red – one of them obligatory, e.g. for Print command: **ellipsis save mass**.

**Procedure:**

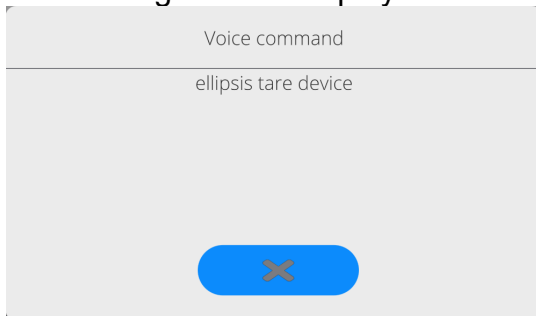
1. Place  voice command activation key on the buttons bar (the method of adding keys is described further in the manual).



2. Press  key.
3. The voice command identification procedure will be initiated. The operator will be informed about it through messages in the screen.





4. Express the command as described above.
5. If the command is correctly expressed and the program can detect the command, the message will be displayed and the command will be executed instantly.



**Return to weighing**


Any modifications made in the memory are automatically recorded upon return to the home screen.

**Procedure:**

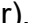
- Press  repeatedly until you see the home screen.
- Press  field in the top bar to return to the home screen instantly.



## 9. COMPARISON

Put the test weight on the weighing pan of the mass comparator. When you can see  marker on the left side of the screen, you can read the weighing result.

To save/print the weighing record out, press <PRINT> key:

- in verified mass comparators – only the stable weighing result (  marker).

### 9.1. Comparison unit selection

To change the comparison unit, press the unit displayed in the window, just next to the measurement result. Click the unit to display a list of available units. Select one of them to make the program calculate the value of specific unit.

List of options:

<i>unit</i>	<i>designatio n</i>	<i>verified comparator</i>	<i>unit</i>	<i>designation</i>	<i>verified comparator</i>
gram	[g]	yes	Taele Hong kong	[tlh]	no
milligram	[mg]	yes*	Taele Singapore	[tls]	no
carat	[ct]	yes*	Taele Taiwan	[tit]	no
pound	[lb]	no	Taele China	[tlc]	no
ounce	[oz]	no	Momme	[mom]	no
ounce troy	[ozt]	no	Grain	[gr]	no
pennyweight	[dwt]	no	Newton	[N]	no
			Tical	[ti]	no

\* - The units available depending on the type of mass comparator.

### 9.2. Principles of correct comparison

To assure a long-term use and correct measurements for compared weights, please do as follows:

- Activate the mass comparator when its weighing pan is not loaded.
- Keep weight inserts clean – eliminate any pollution because even the minor pollutants may hinder the comparison procedure
- Put weights into inserts as described in the manual

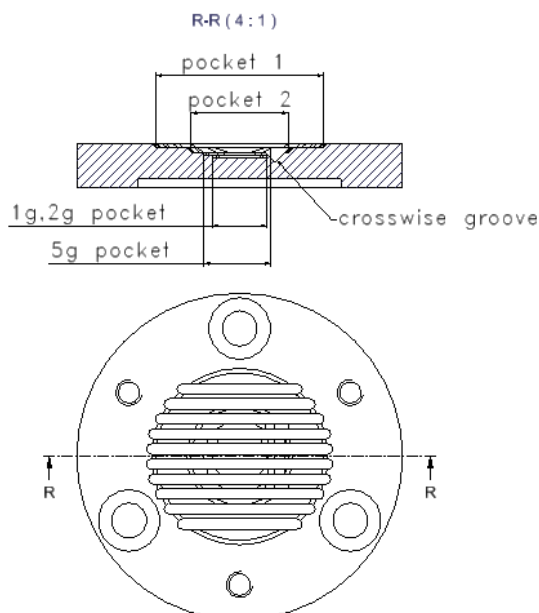
It is forbidden to put weights on the weighing pan manually.

### 9.2.1. Placing weights in the UMA 5 comparator

Position all weights in a way that they freely rest on inserts, do not flex, and do not block one another between insert ribs.

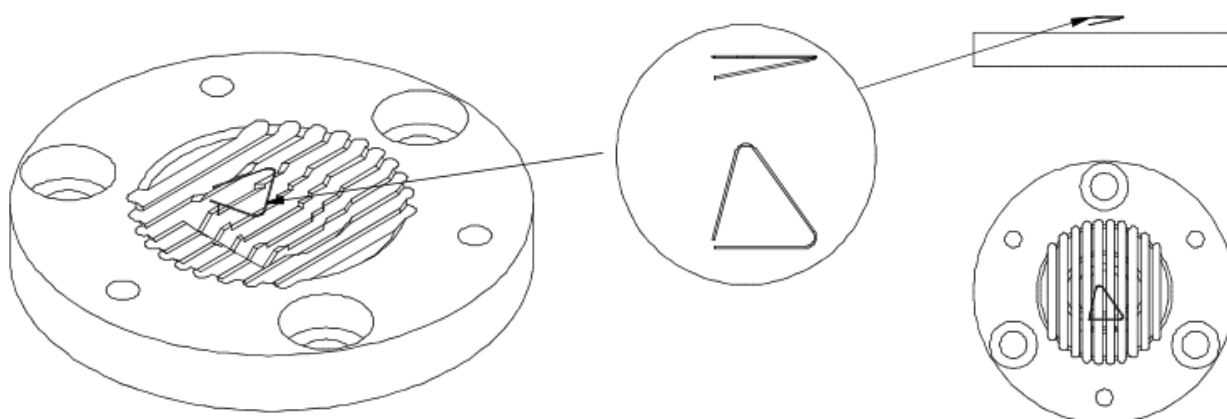
To avoid damage to the weighing unit and comparison-related issues, please read and follow the operating manual and make sure the weights have been positioned in accordance with guidelines presented in the manual.

UMA 5 insert design

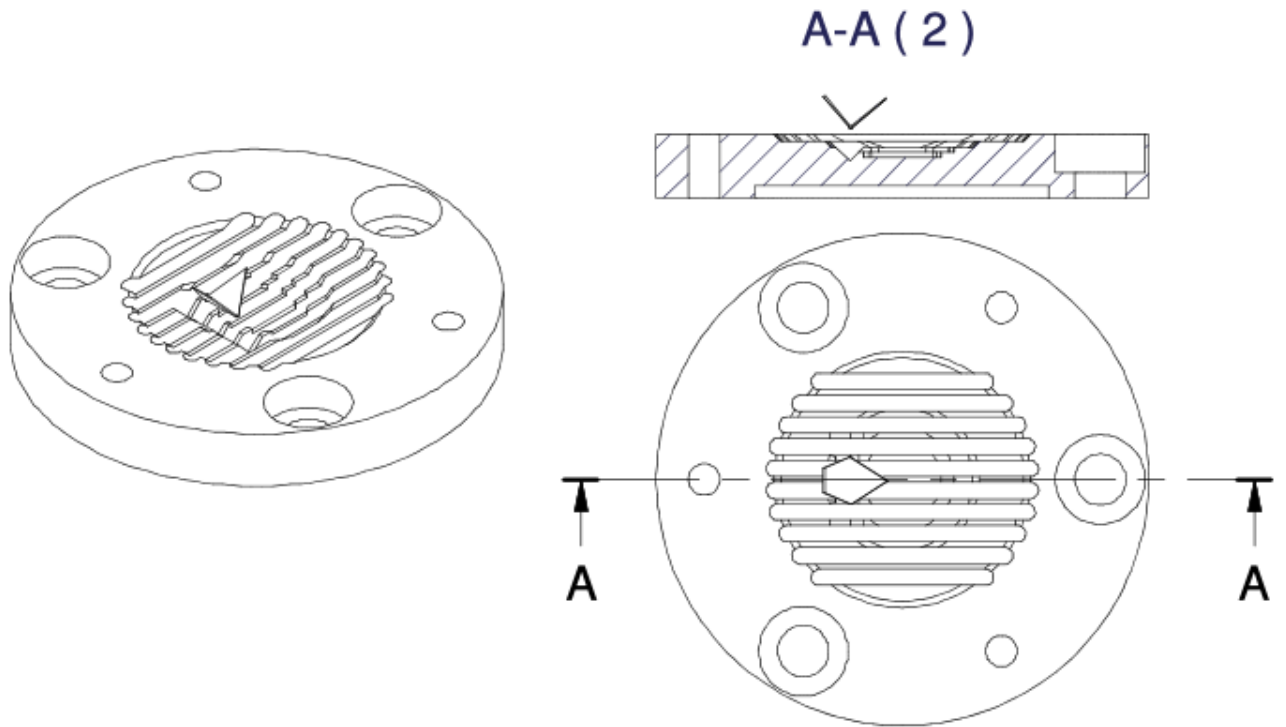


- Placement of 1 mg weights.

To place a 1-mg wire-type weight, it is necessary to make sure two arms rest in the centre of the insert socket, while the third arm, bent downwards, fits into the crosswise groove of the insert:

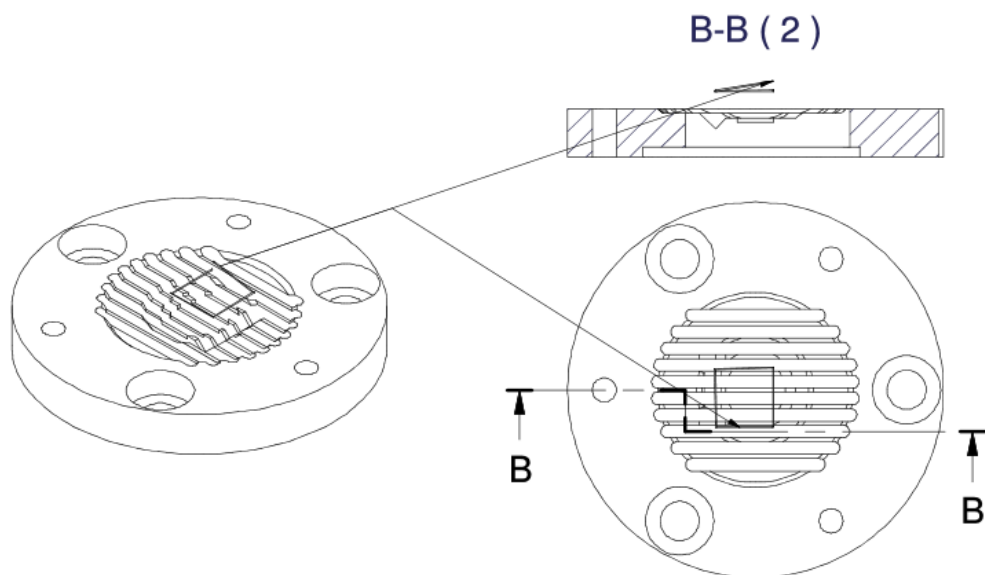


To place a 1-mg plate-type weight, it is necessary to make sure the bend is directed downwards and side walls of the weight touch the places of the crosswise groove in the socket:

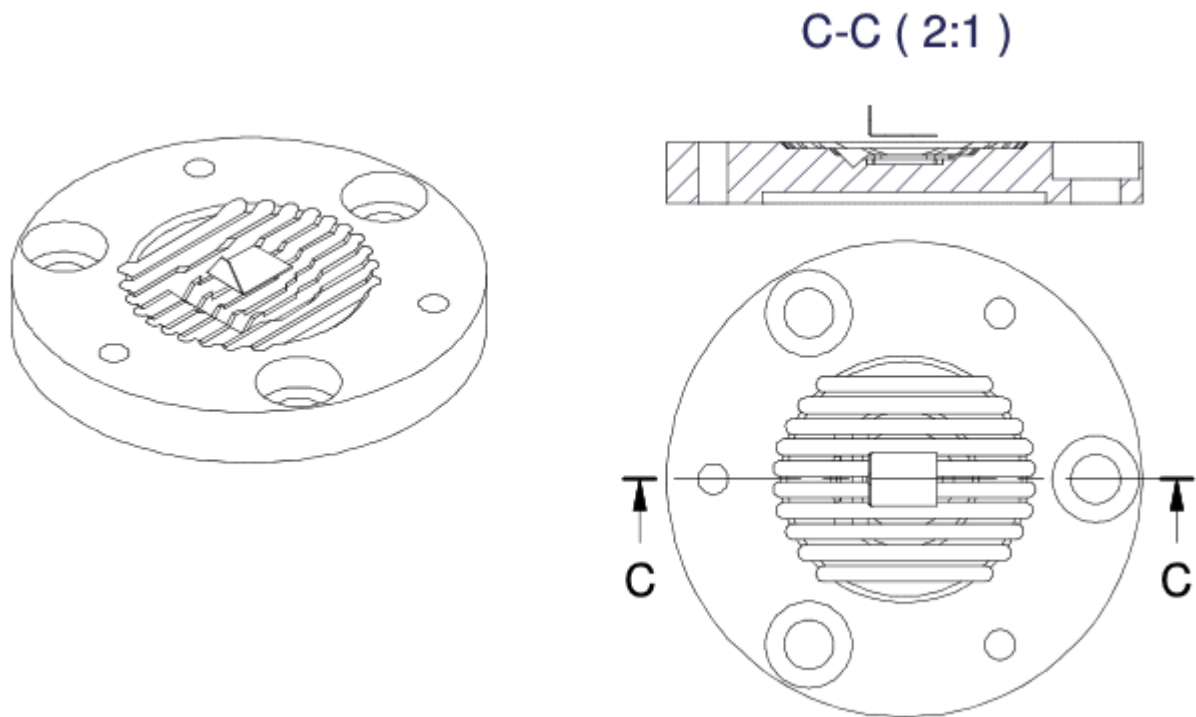


- Placement of 2-mg weights.

To place a 2-mg wire-type weight, it is necessary to make sure the arm, bent upwards, is parallel to the insert ribs, while a neighbouring arm rests in the crosswise groove:

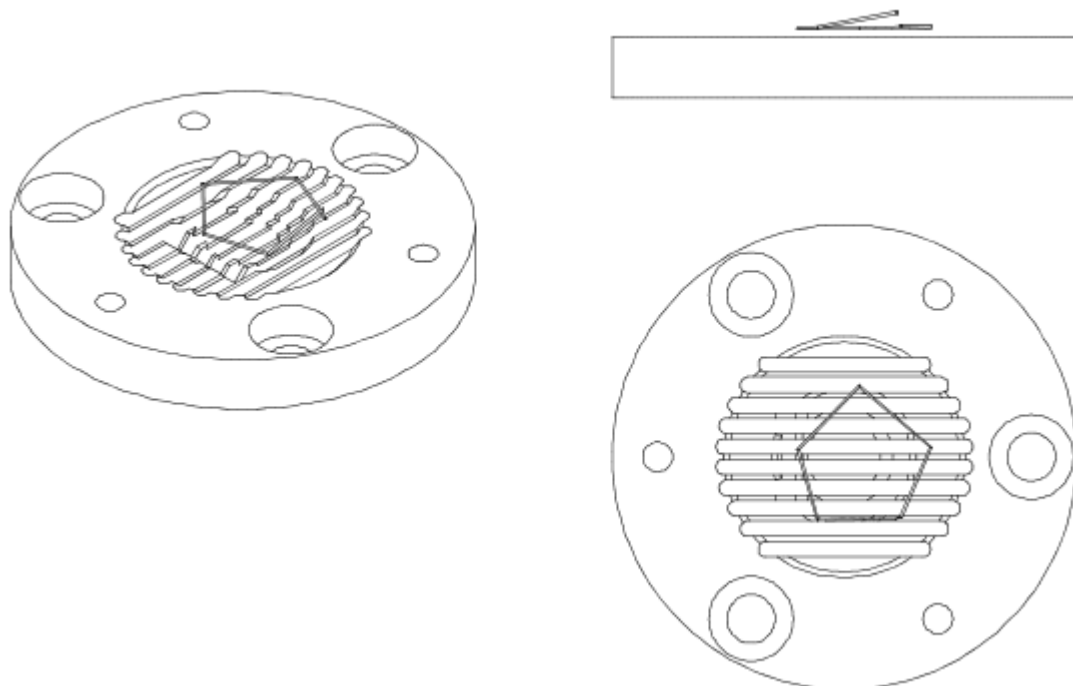


To place a 2-mg plate-type weight in the insert socket, make sure it is in the centre, between the 1g-2g pocket and 5g pocket, with its bend facing upwards (Fig. 3b).

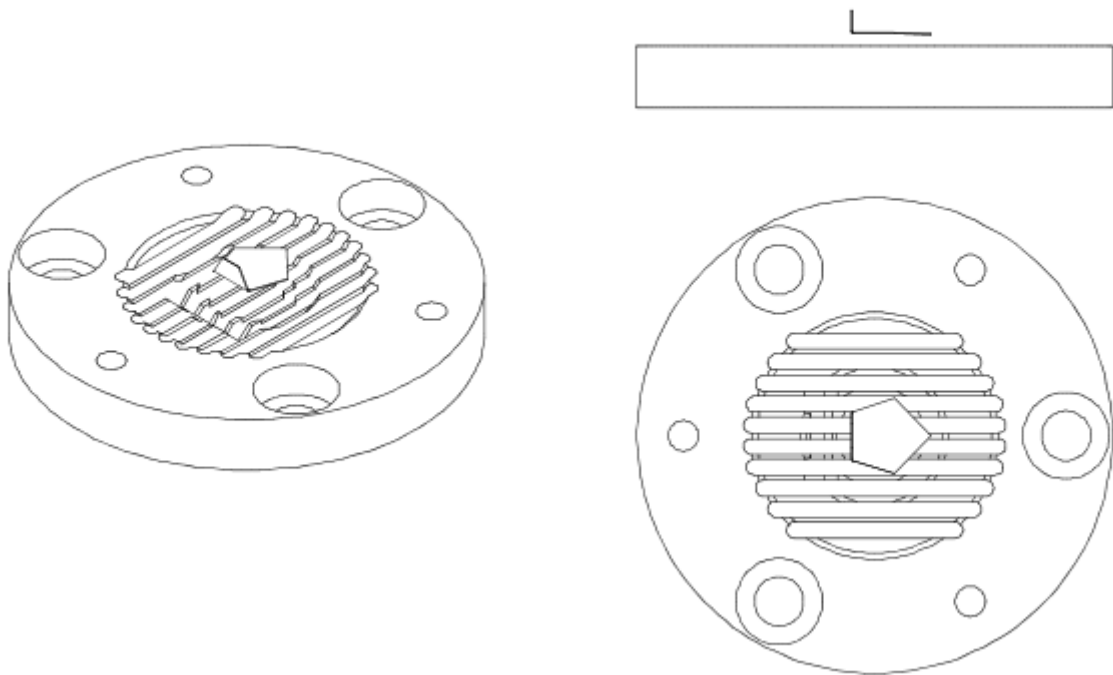


- Placement of 5-mg weights.

To place a 5-mg wire-type weight in the centre of the insert socket, make sure it is in the pocket 2 – with its arm bent upwards and being parallel to the insert ribs:

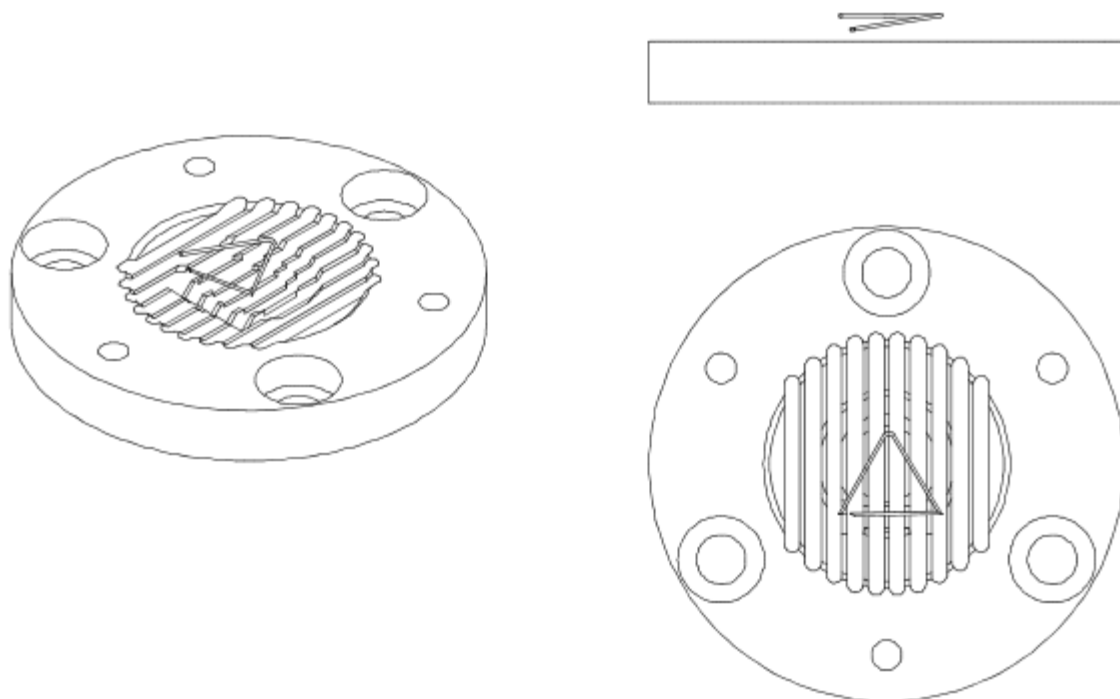


To place a 5-mg plate-type weight in the centre of the insert socket, make sure it is in the pocket 2 – with its bend facing upwards:

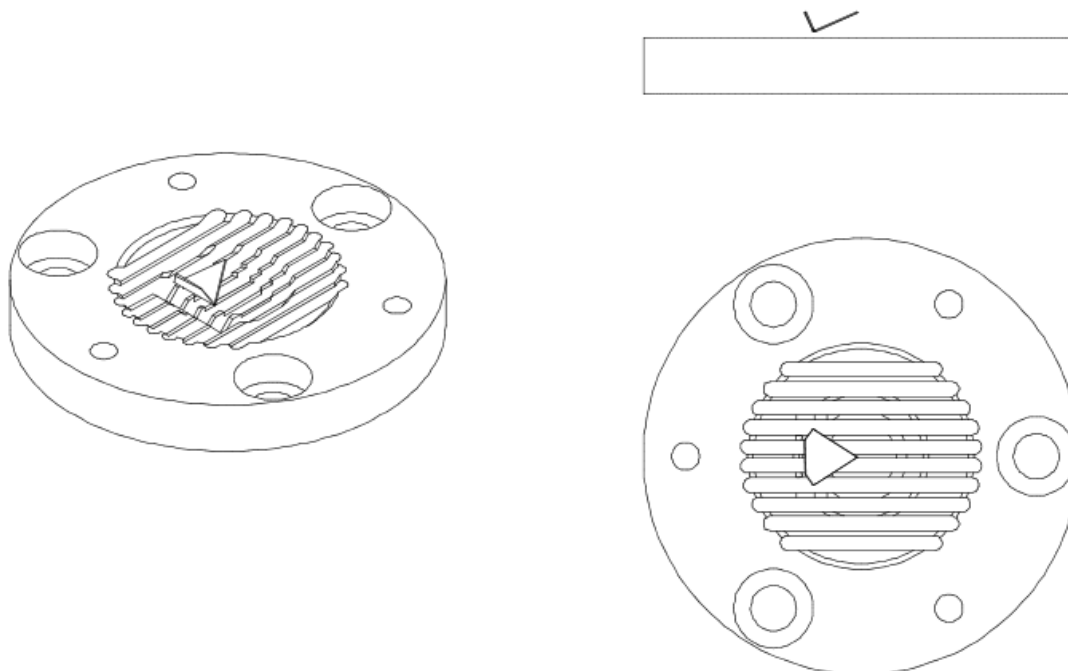


- Placement of 10-mg weights.

To place a 10-mg wire-type weight, follow the steps of placing the 1-mg wire-type weight. Two arms rests in the centre of the insert socket, while the third arm, bent downwards, must fit into the crosswise groove of the insert:

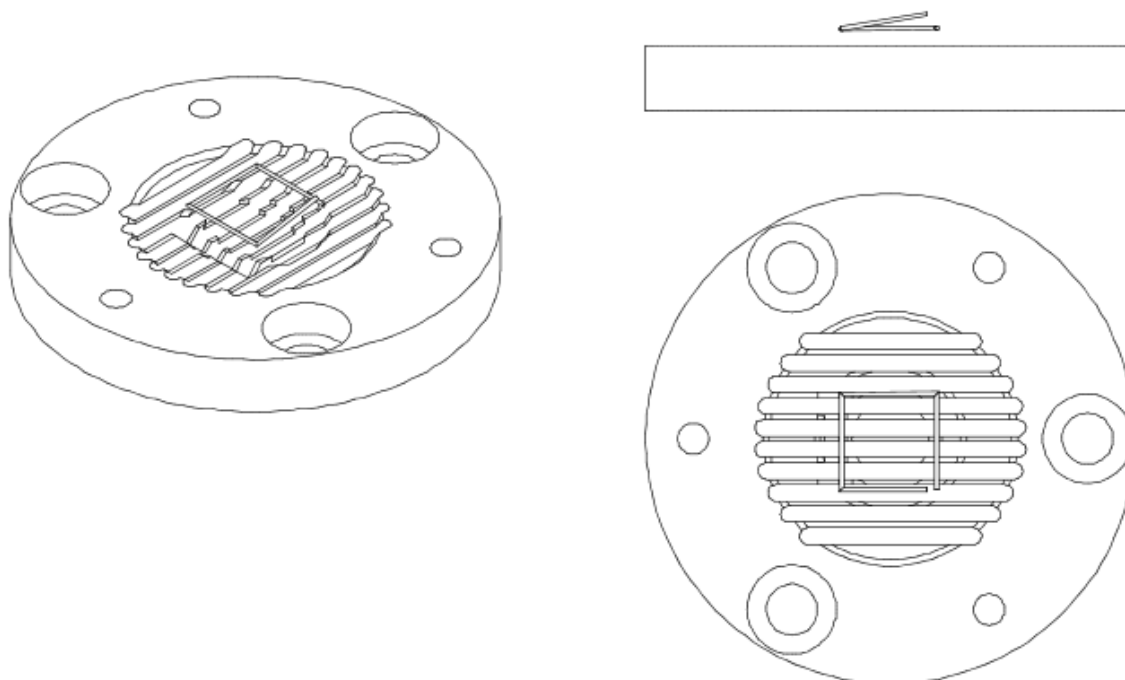


To place a 10-mg plate-type weight, follow the steps of placing the 1-mg plate-type weight. The plate must bend downwards while side walls of the weight must touch the planes of the crosswise groove in the socket:

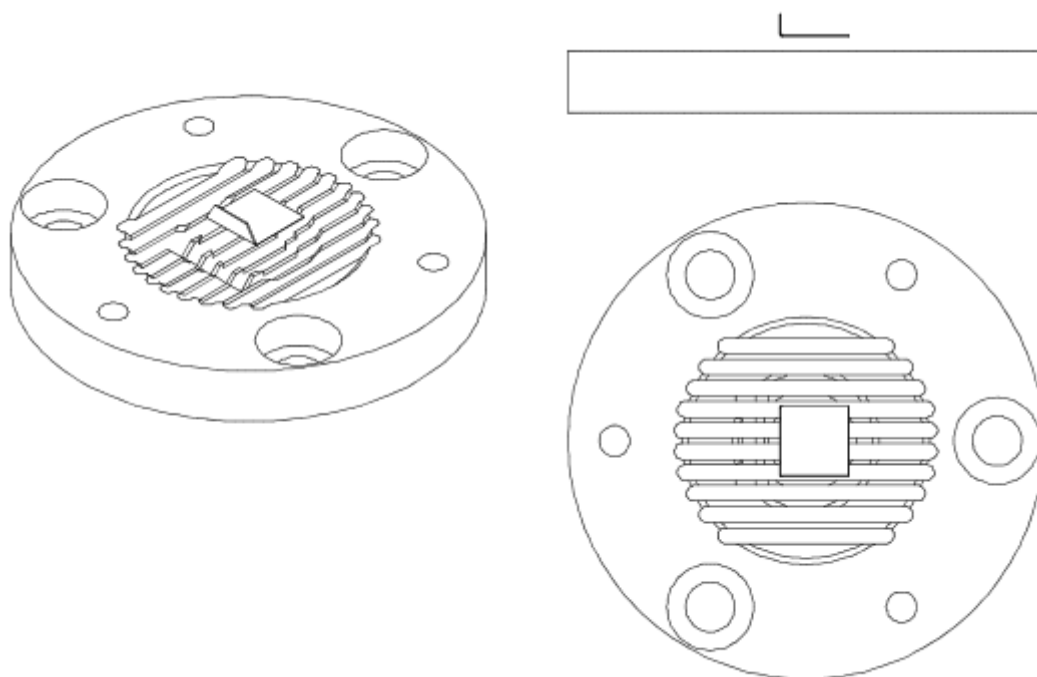


- Placement of 20-mg weights.

To place a 20-mg wire-type weight, follow the steps of placing the 2-mg weight so that the arm, bent upwards, is parallel to insert ribs, while a neighbouring arm is located in the crosswise groove:

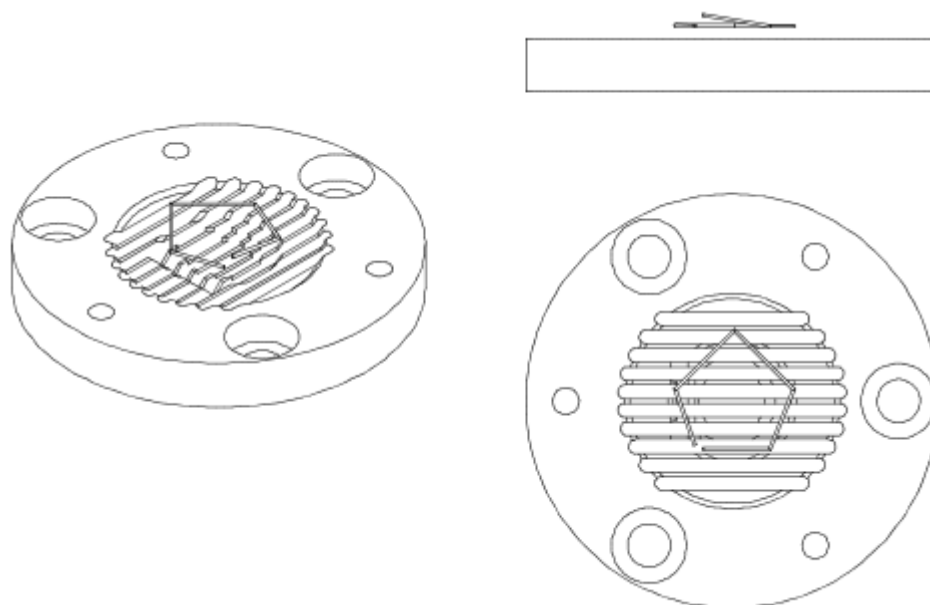


To place a 20-mg plate-type weight in the centre of the insert socket, make sure it is in the 5-g pocket, with its bend facing upwards:

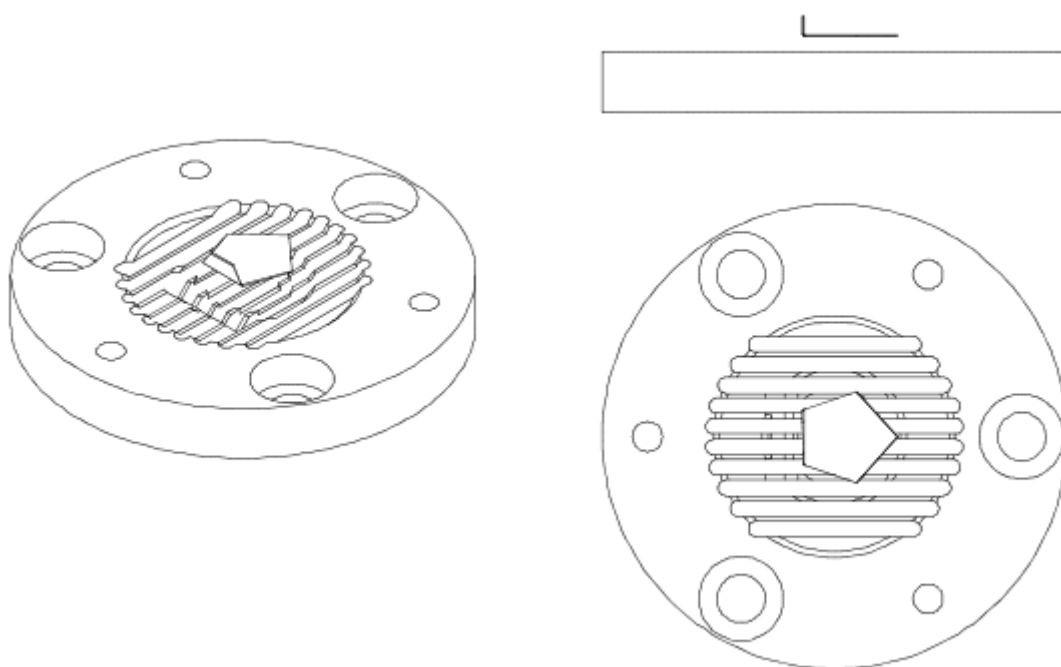


- Placement of 50-mg weights.

To place a 50-mg wire-type weight in the centre of the insert socket, make sure it is in the pocket 2 – with its arm facing upwards and directed parallelly to the insert ribs:

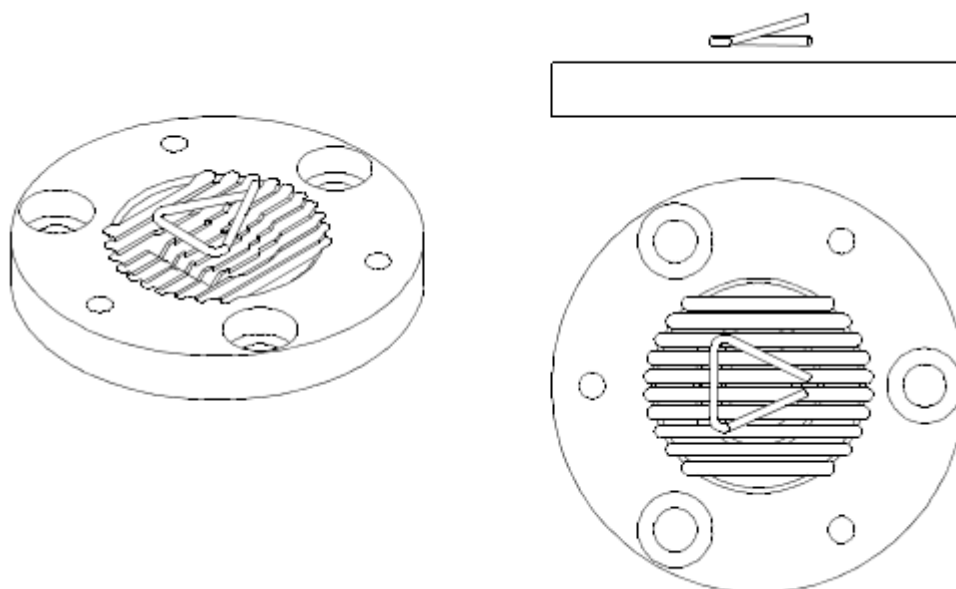


To place a 50-mg plate-type weight in the centre of the insert socket, make sure it is in the pocket 2 – with its bend facing upwards:



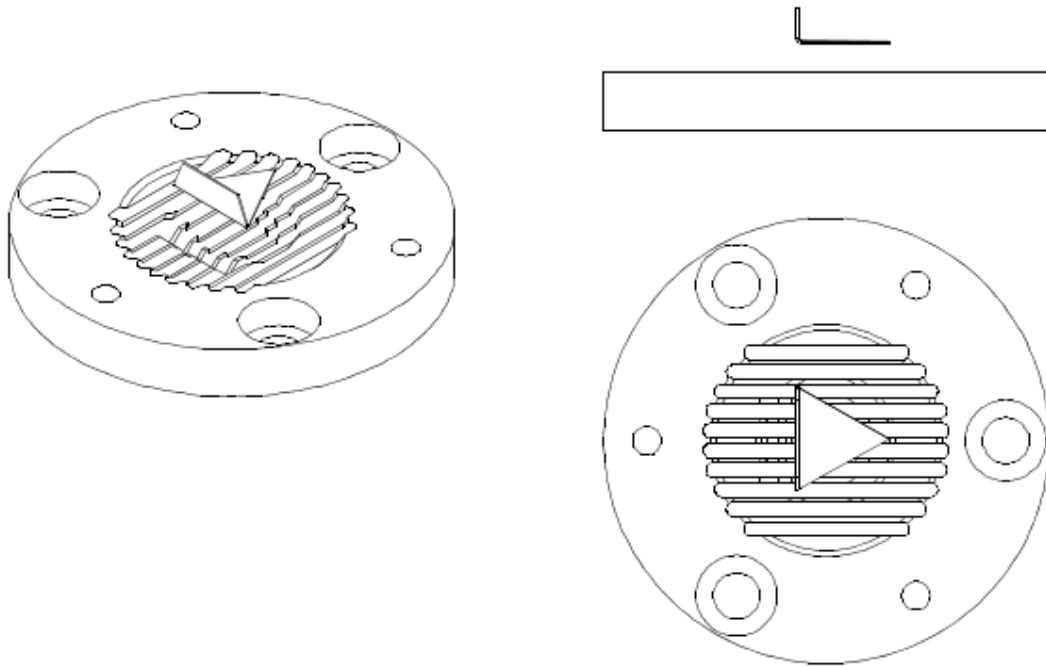
- Placement of 100-mg weights

To place a 100-mg wire-type weight in the insert socket, make sure the central arm of the weight is in the crosswise groove, as showed in the figure:



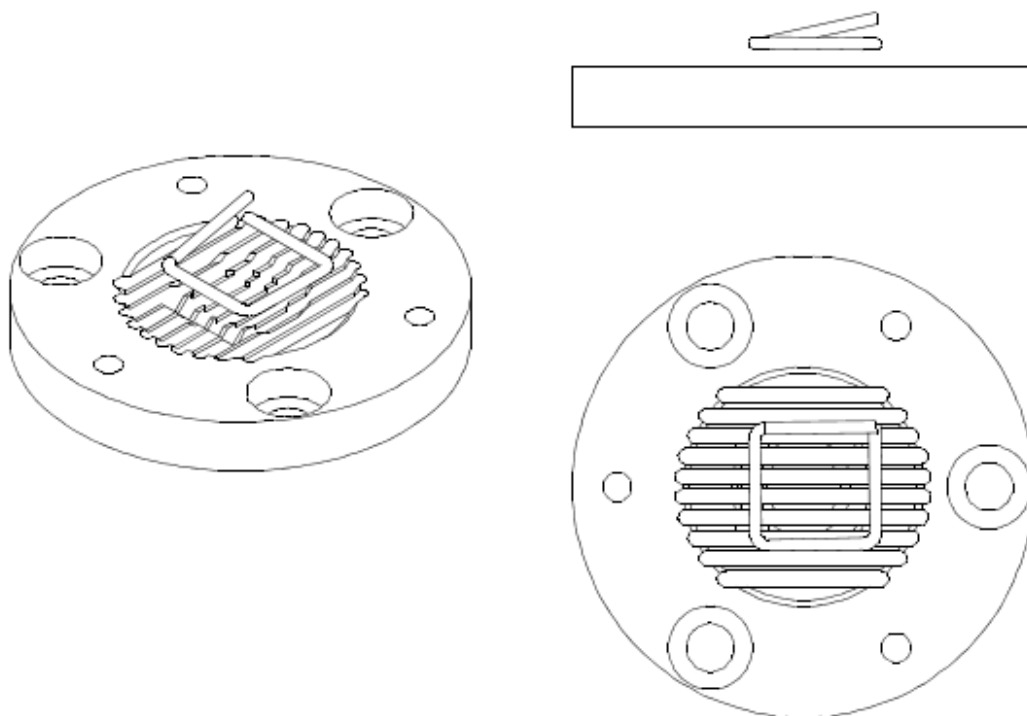


To place a 100-mg plate-type weight in the centre of the insert socket, make sure it is in the pocket 2, with its bend facing upwards:

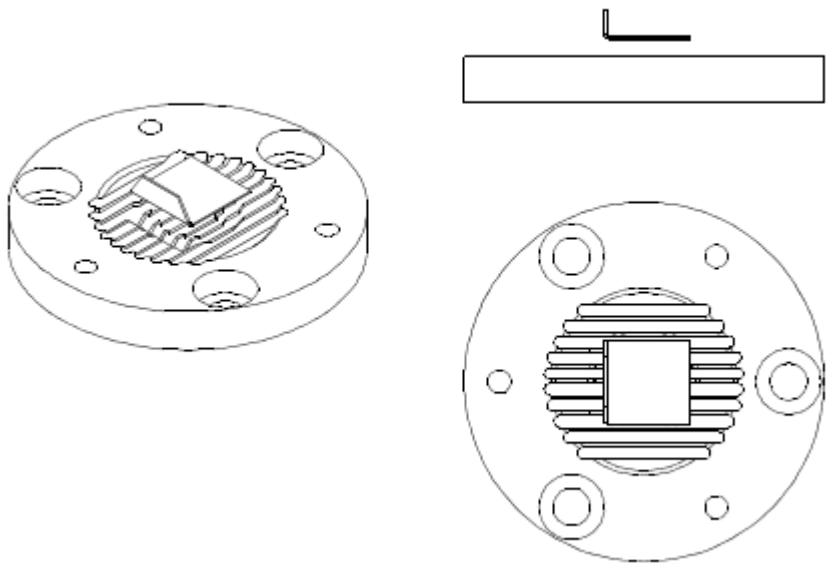


- Placement of 200-mg weights

To place a 200-mg wire-type weight, follow the steps of placing the 20-mg weight. The arm, bent upwards, must be parallel to the insert ribs, while a neighbouring arm is located in the crosswise groove:

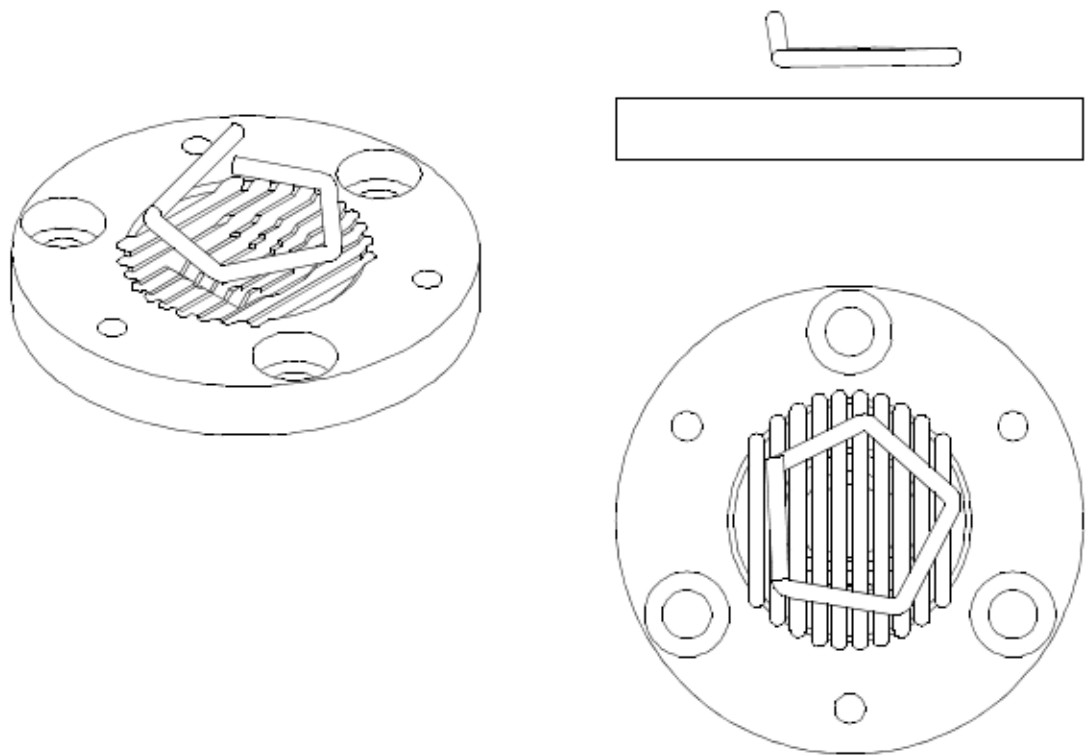


To place a 200-mg plate-type weight in the centre of the insert socket, make sure it is in the pocket 2, with its bend facing upwards:

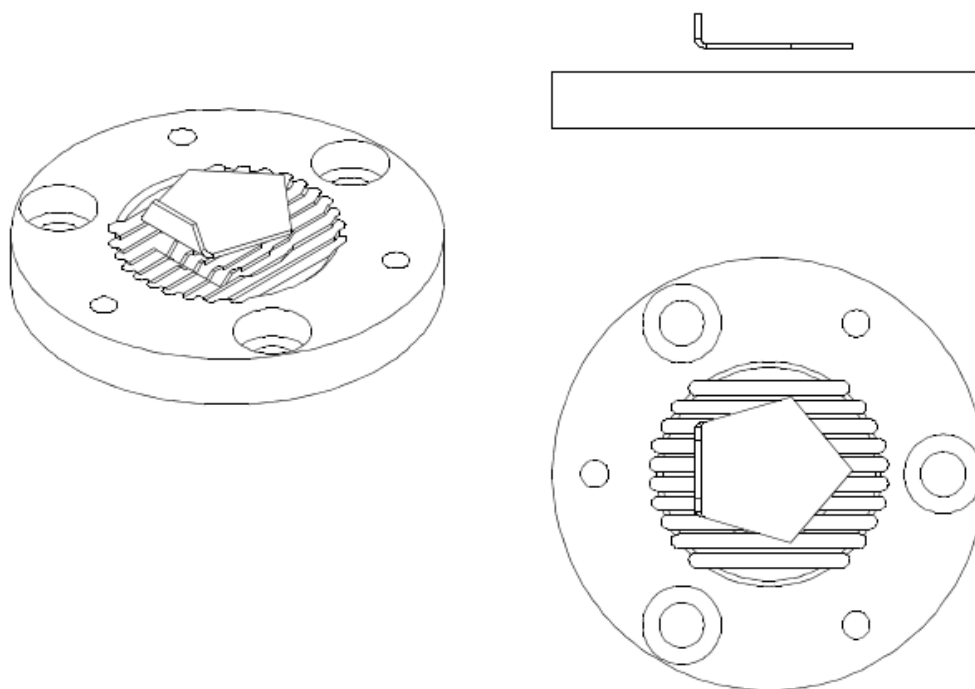


- Placement of 500-mg weights

To place a 500-mg wire-type weight in the centre of the insert socket, make sure it is in the pocket 1, with the arm bent upwards and parallelly to the insert ribs:

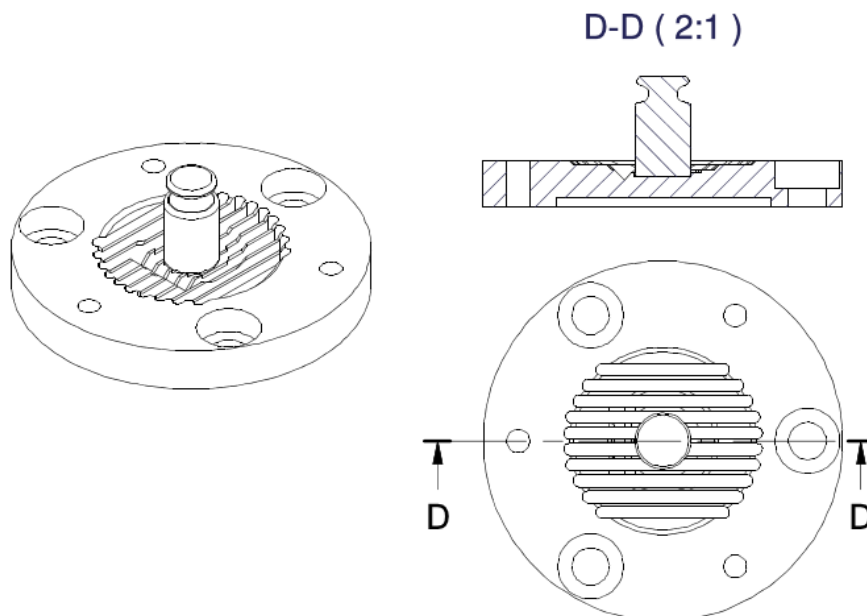


To place a 500-mg plate-type weight in the centre of the insert socket, make sure it is in the pocket 1, with its bend facing upwards:



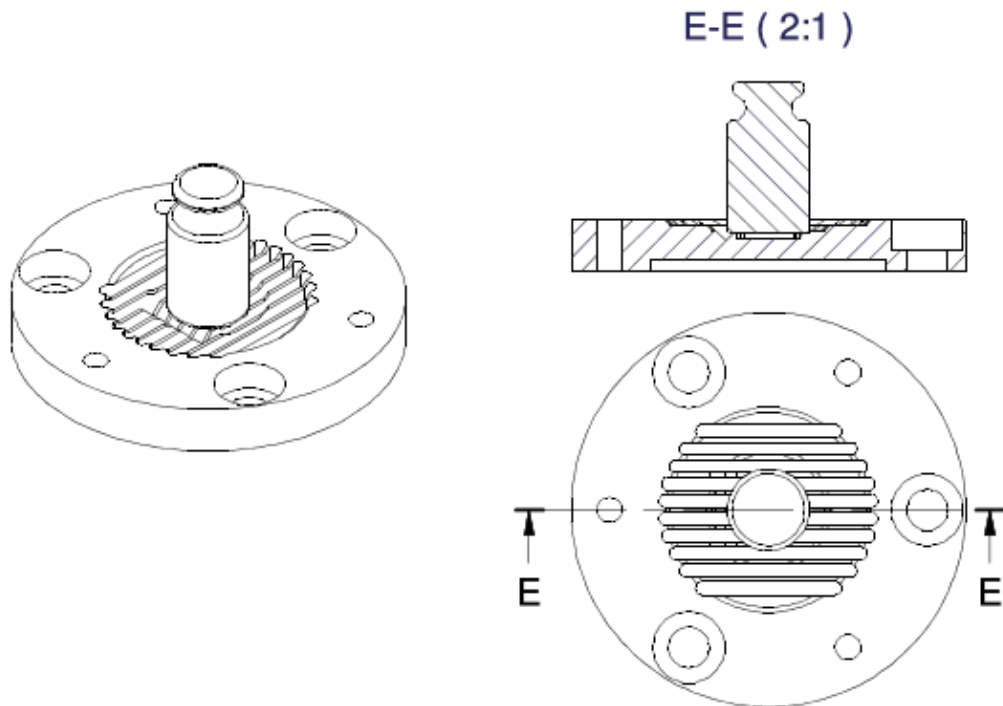
- Placement of 1-g and 2-g weights

A 1-g and 2-g weight must be placed in the centre of the insert socket so that both are located in the 1g-2g pocket:



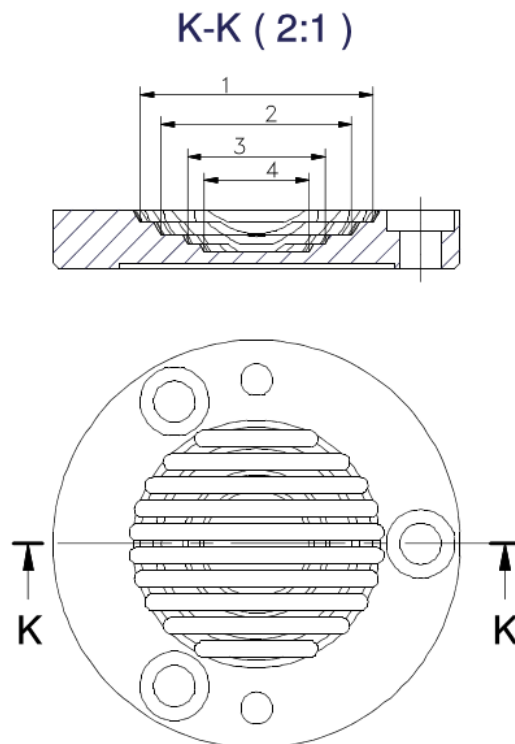
- Placement of 5-g weight

To place a 5-g weight in the centre of the insert socket, make sure it is in the 5-g pocket:



### 9.2.2. Placement of weights in the UMA 100 comparator

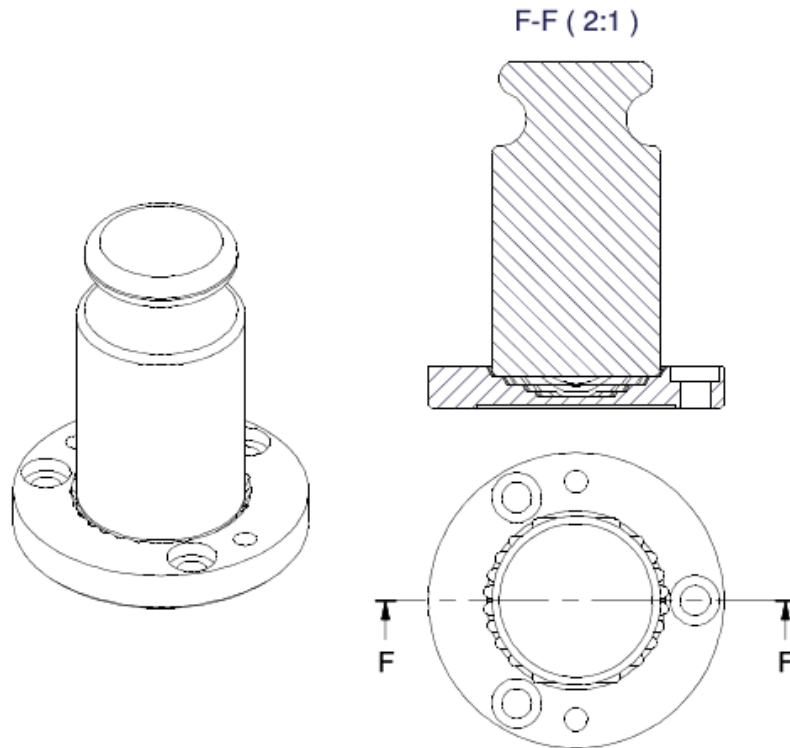
UMA 100 insert design



1-pocket 1; 2-pocket 2; 3-pocket 3; 4- pocket 4.

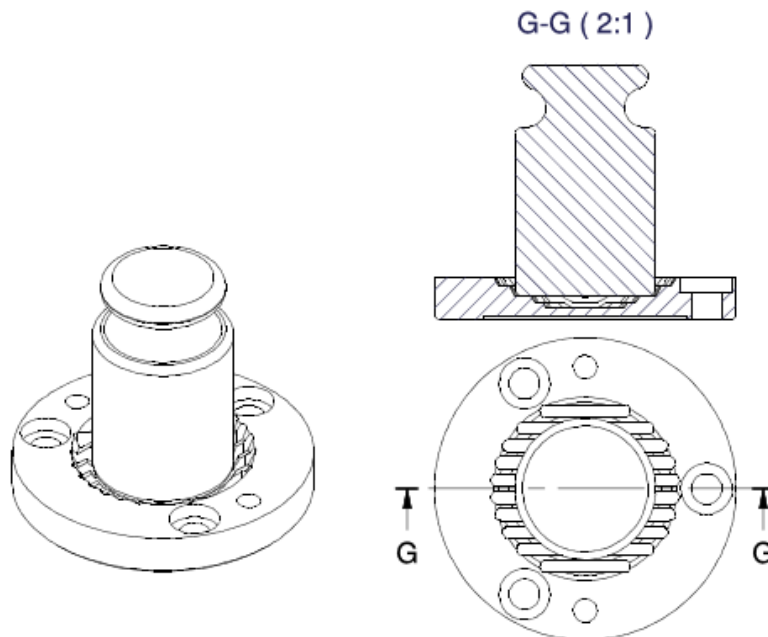
- Placement of a 100-g weight

To place a 100-g weight in the centre of the insert socket, make sure it is in the pocket 1:



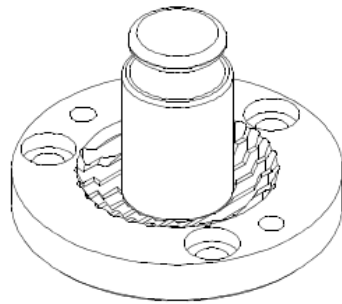
- Placement of a 50-g weight

To place a 50-g weight in the centre of the insert socket, make sure it is in the pocket 2:

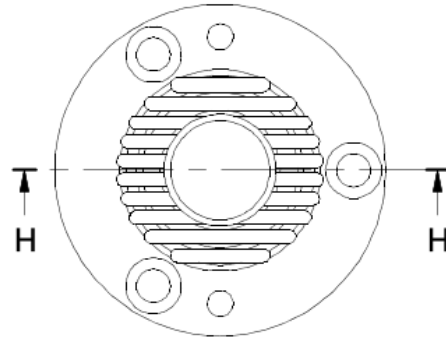
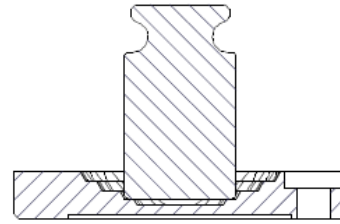


- Placement of a 20-g weight

To place a 20-g weight in the centre of the insert socket, make sure it is in the pocket 3:

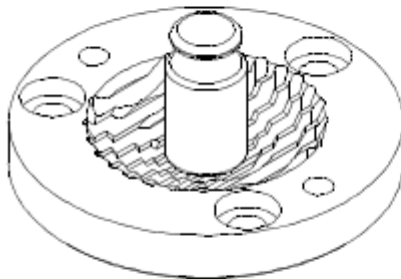


H-H (2:1)

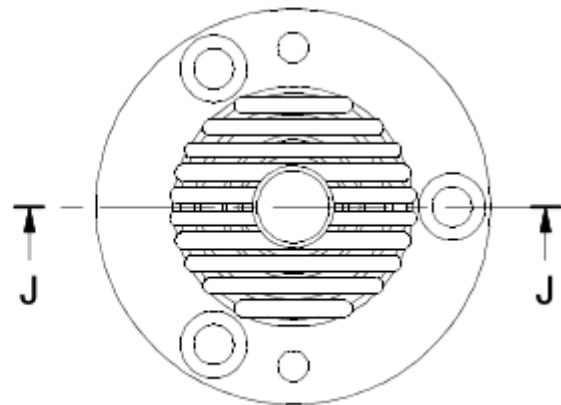
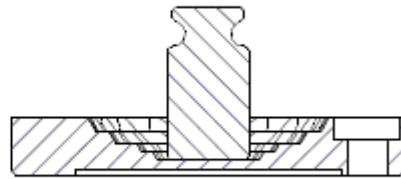


- Placement of 10-g, 5-g, 2-g, 1-g weights

To place a 10-g, 5-g, 2-g, 1-g weight in the centre of the insert socket, make sure it is in the pocket 4:



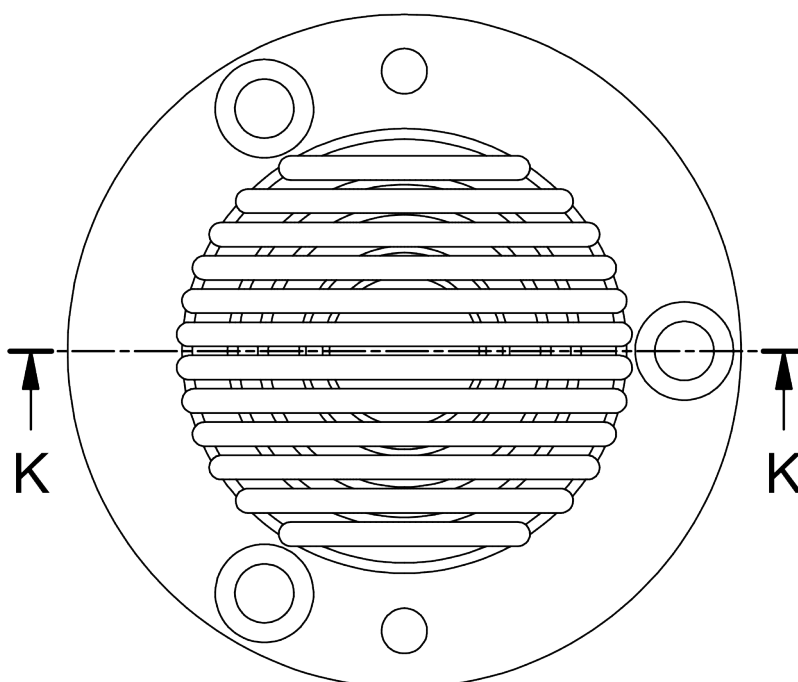
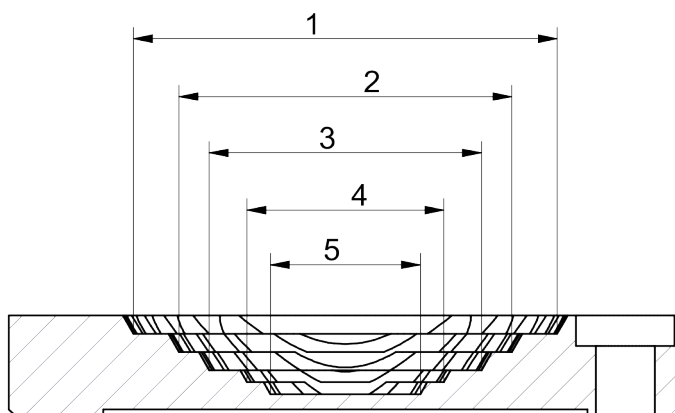
J-J (2:1)



### 9.2.3. Placement of weights in the UMA 200 comparator

UMA 200 insert design

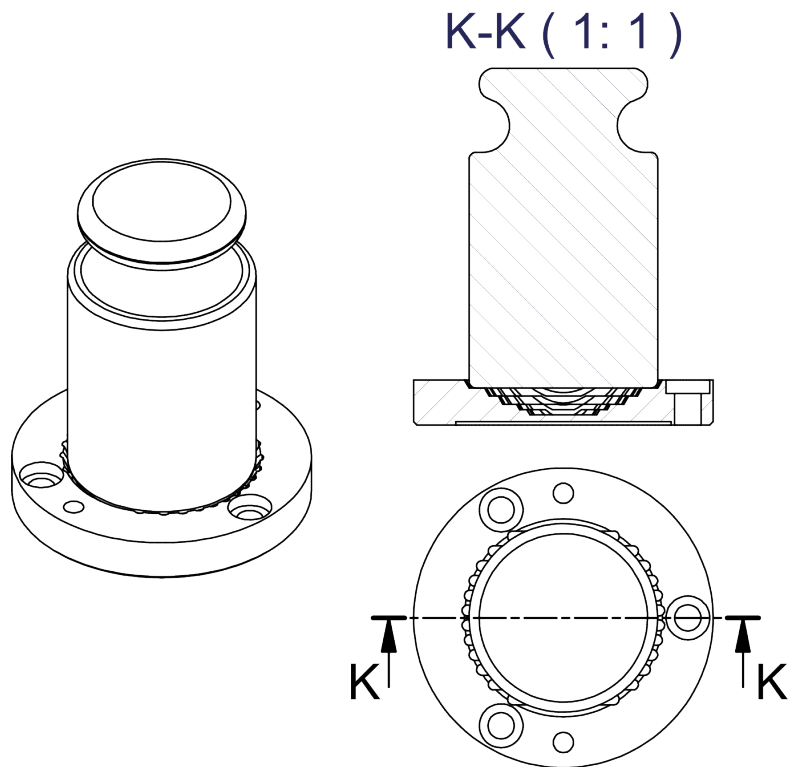
## K-K ( 2 : 1 )



1-pocket 1; 2-pocket 2; 3-pocket 3; 4- pocket 4; 5- pocket 5.

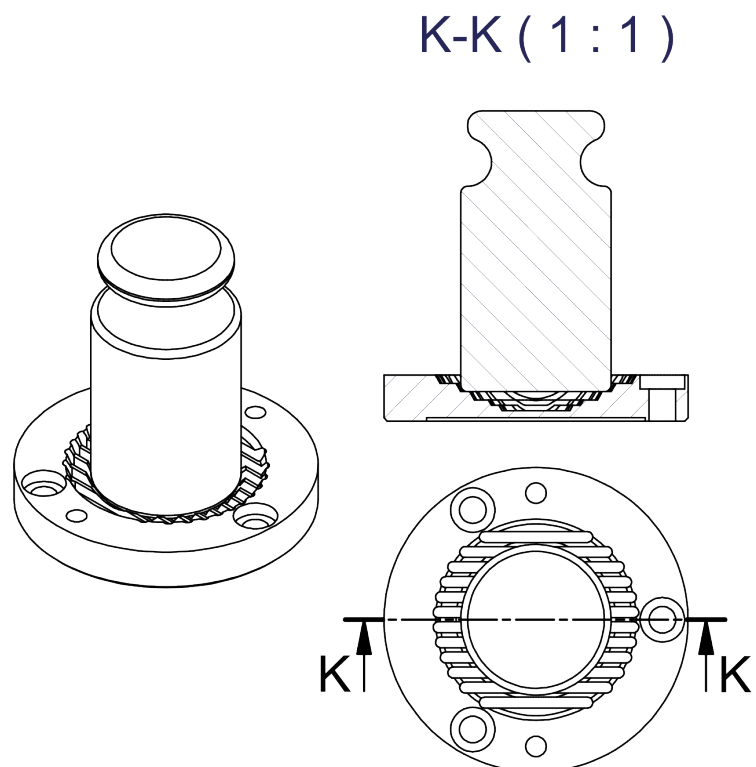
- Placement of a 200-g weight

To place a 200-g weight in the centre of the insert socket, make sure it is in the pocket 1:



- Placement of a 100-g weight

To place a 100-g weight in the centre of the insert socket, make sure it is in the pocket 2:

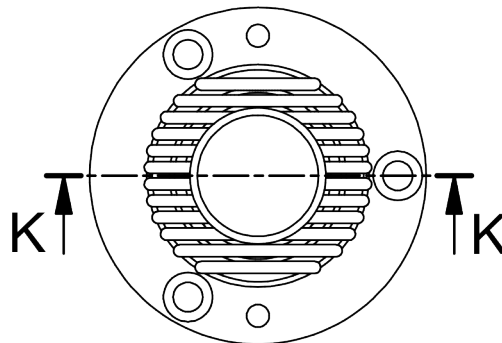
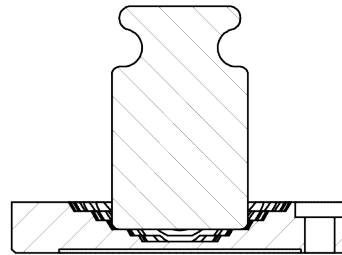
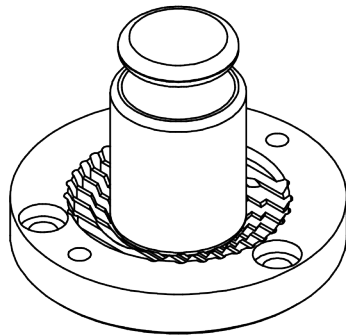




- Placement of a 50-g weight

To place a 50-g weight in the centre of the insert socket, make sure it is in the pocket 3:

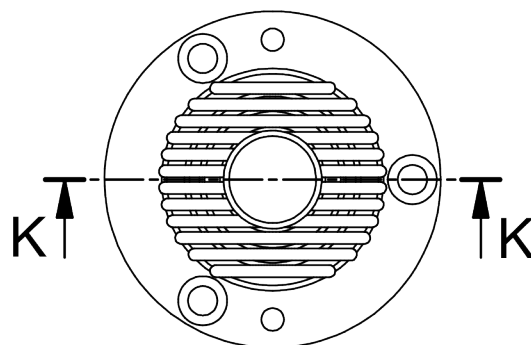
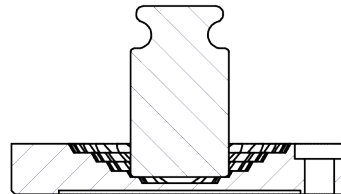
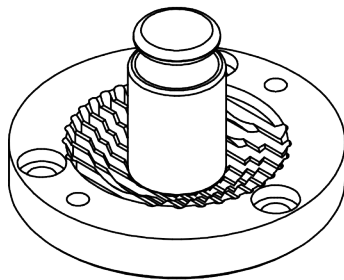
K-K ( 1 : 1 )



- Placement of a 20-g weight

To place a 20-g weight in the centre of the insert socket, make sure it is in the pocket 4:

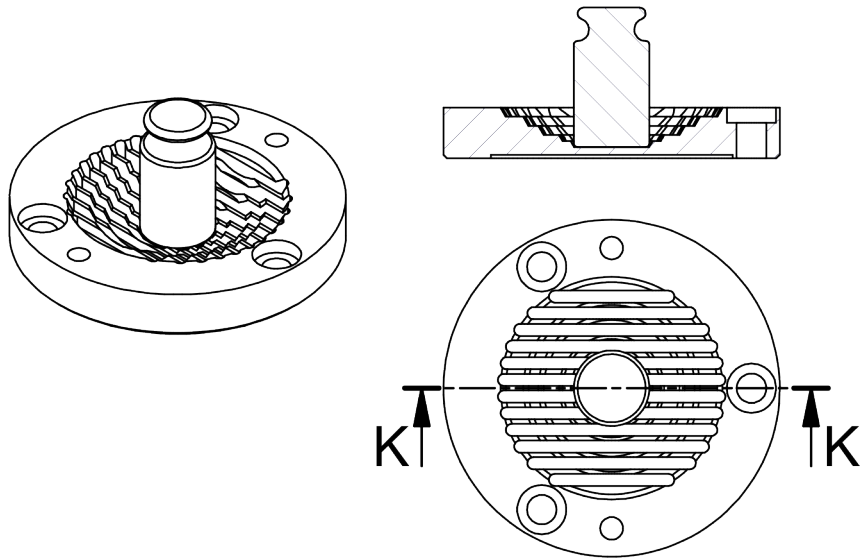
K-K ( 1 : 1 )



- Placement of 10-g, 5-g, 2-g, 1-g weights

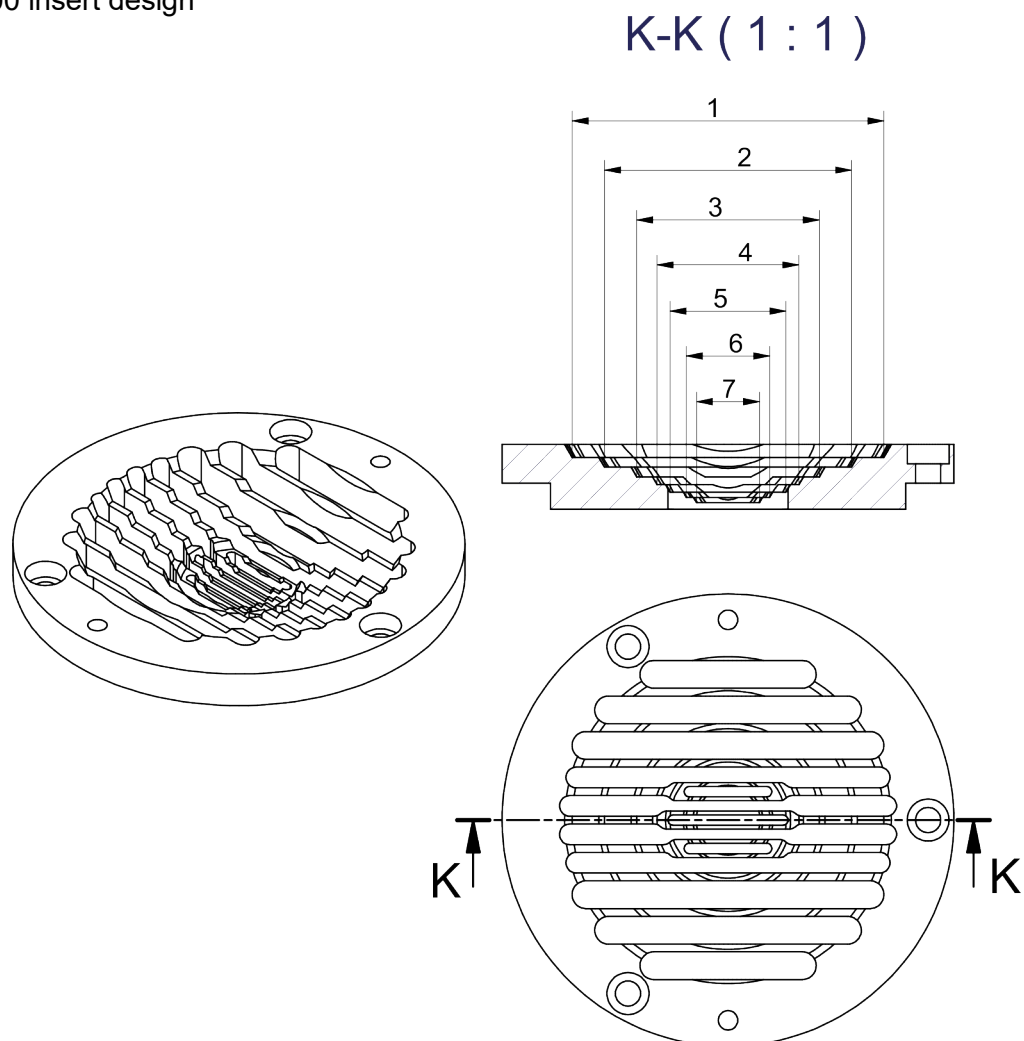
To place a 10-g, 5-g, 2-g, 1-g weight in the centre of the insert socket, make sure it is in the pocket 5:

K-K ( 1 : 1 )



### 9.2.4. Placement of weights in the UMA 1000 comparator

UMA 1000 insert design

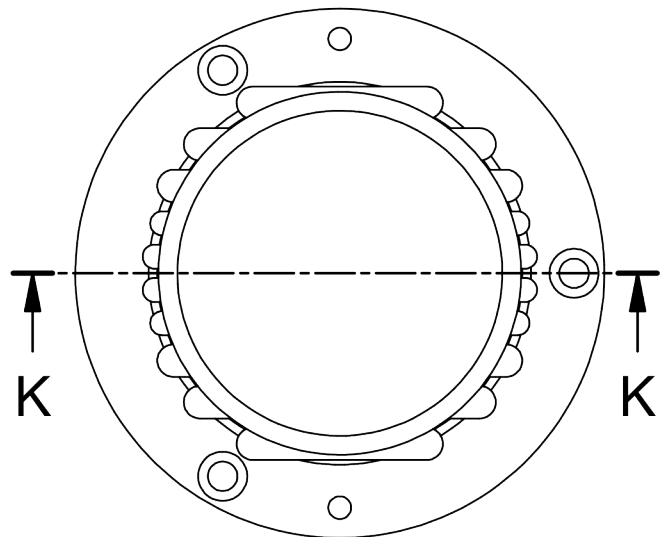
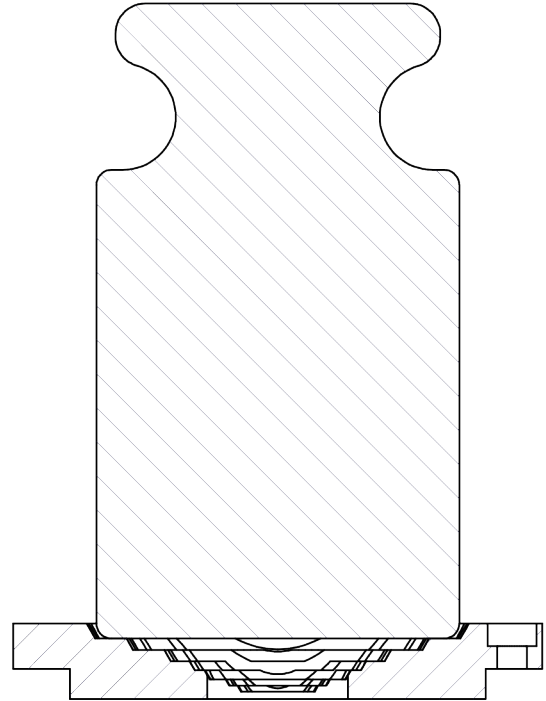
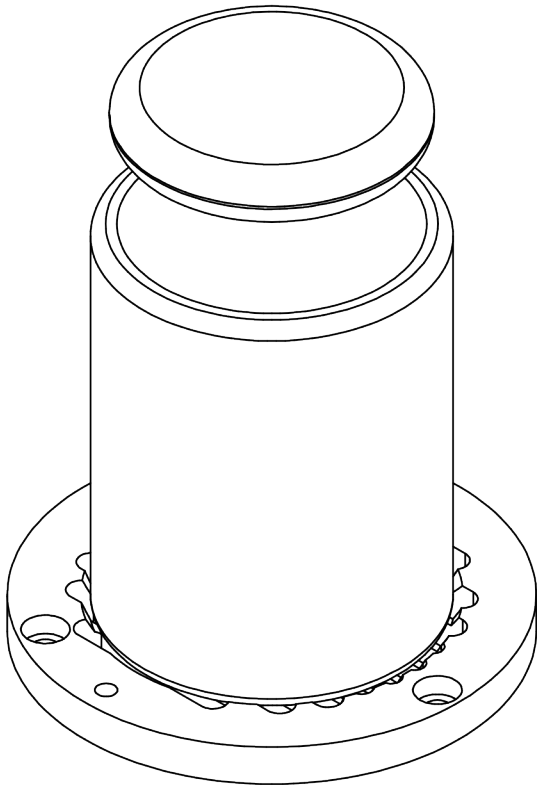


1-pocket 1; 2-pocket 2; 3-pocket 3; 4- pocket 4; 5- pocket 5; 6- pocket 6; 7- pocket 7.

- Placement of a 1000-g weight

To place a 1000-g weight in the centre of the insert socket, make sure it is in the pocket 1:

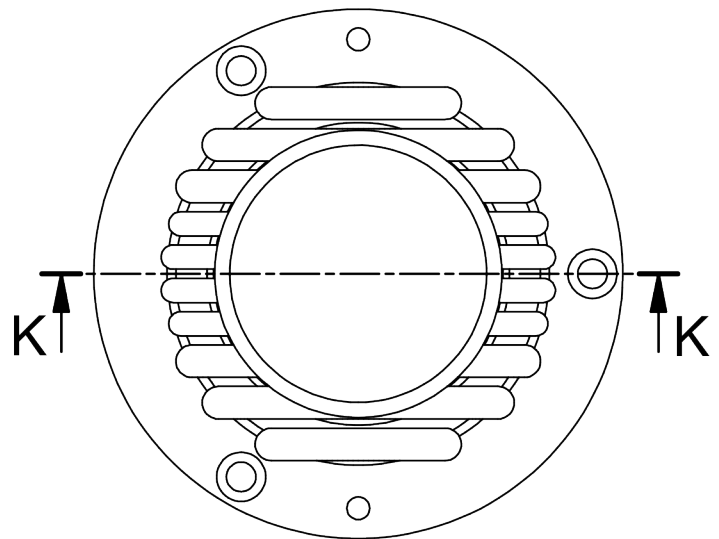
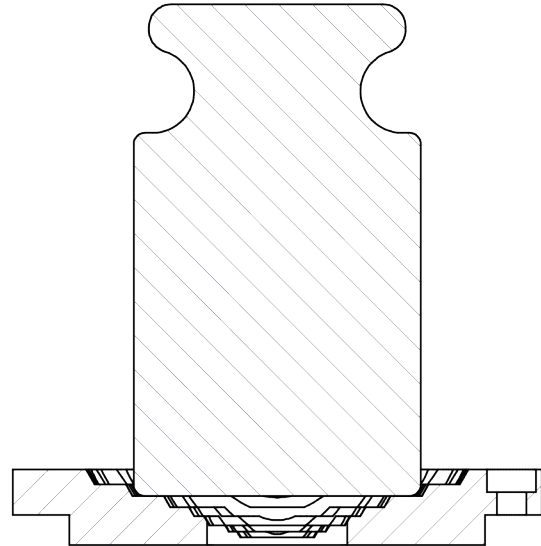
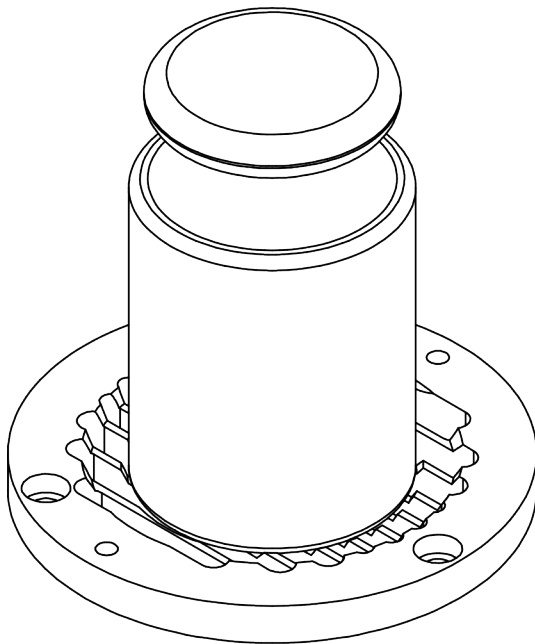
**K-K ( 1 : 1 )**



- Placement of a 500-g weight

To place a 500-g weight in the centre of the insert socket, make sure it is in the pocket 2:

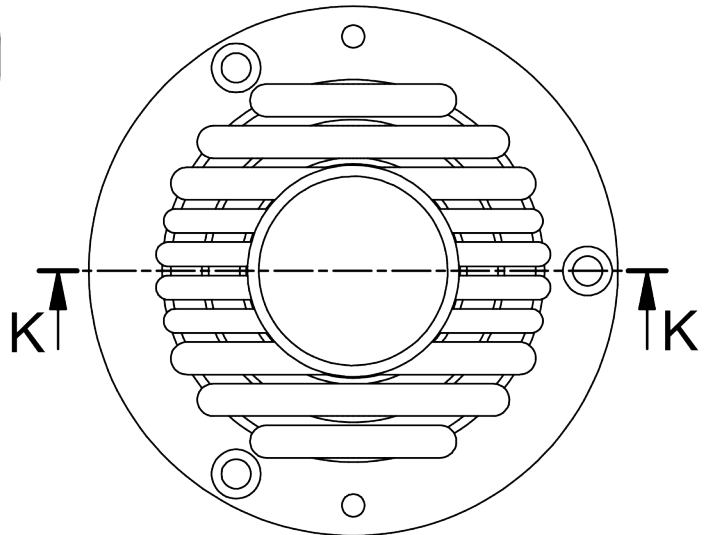
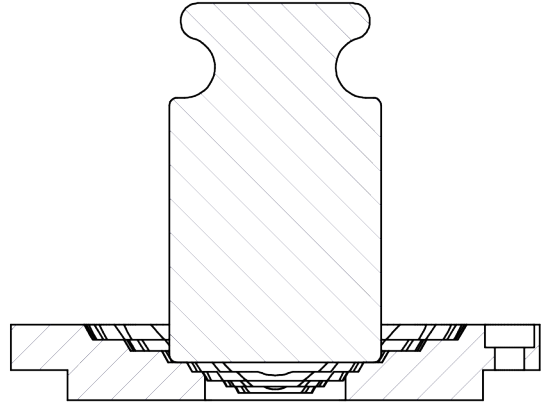
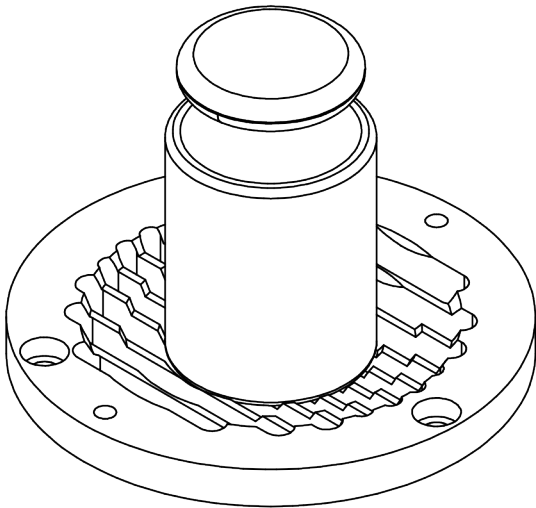
K-K ( 1 : 1 )



- Placement of a 200-g weight

To place a 200-g weight in the centre of the insert socket, make sure it is in the pocket 3:

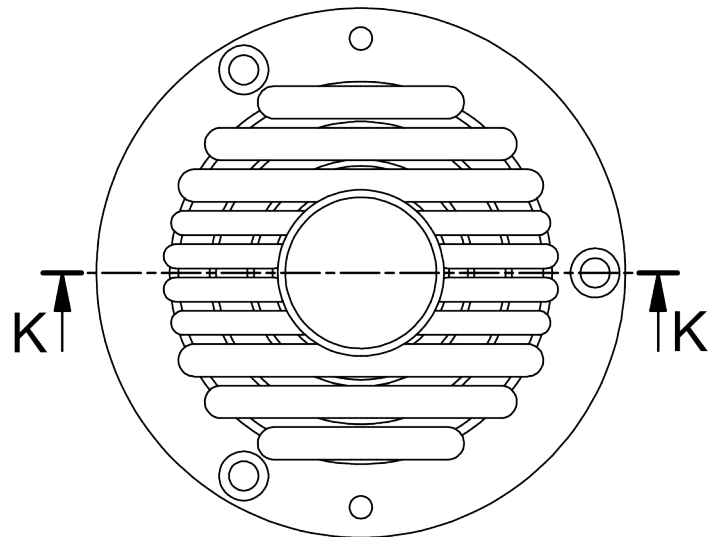
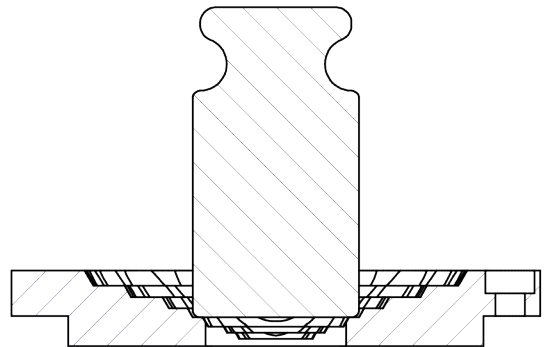
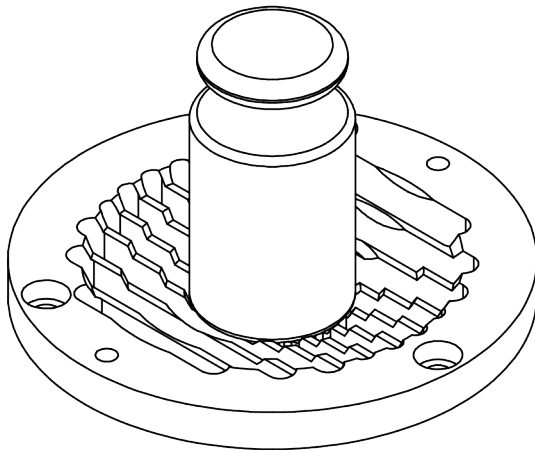
K-K ( 1 : 1 )



- Placement of a 100-g weight

To place a 100-g weight in the centre of the insert socket, make sure it is in the pocket 4:

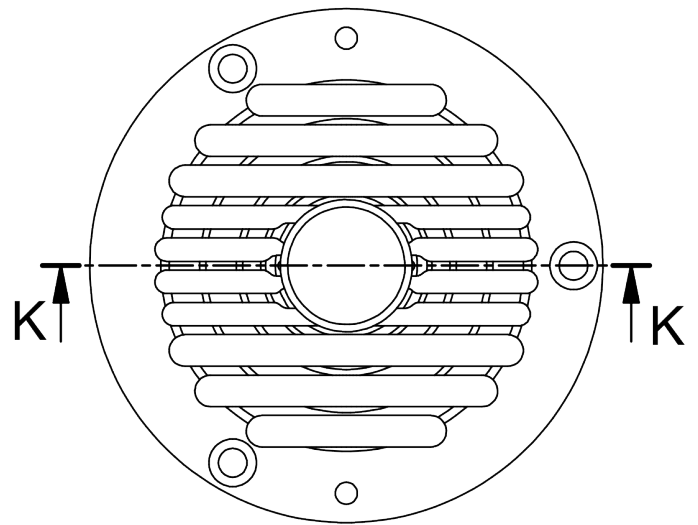
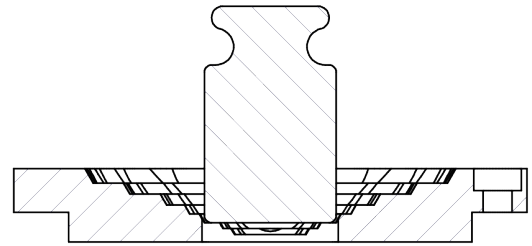
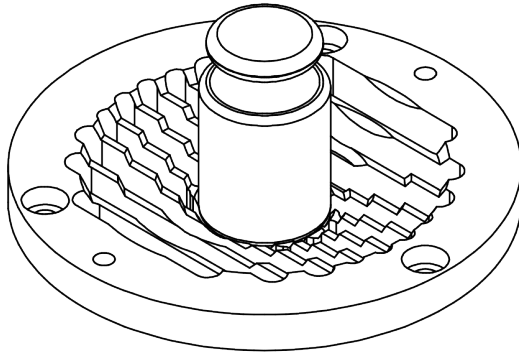
K-K ( 1 : 1 )



- Placement of a 50-g weight

To place a 50-g weight in the centre of the insert socket, make sure it is in the pocket 5:

K-K ( 1 : 1 )

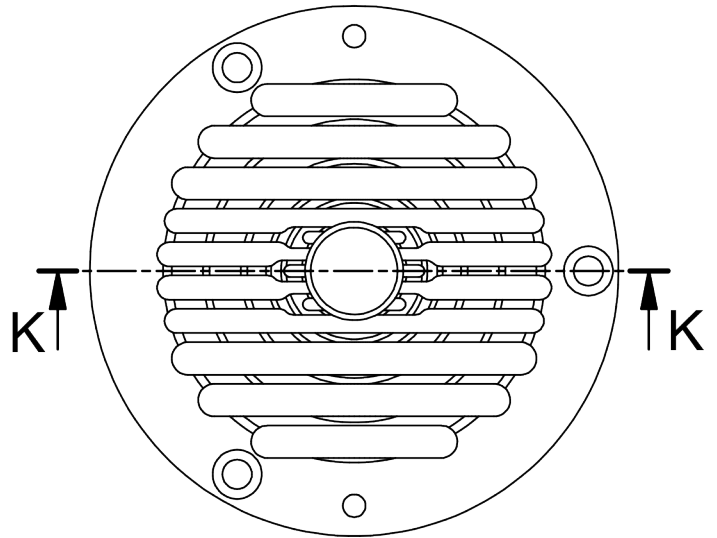
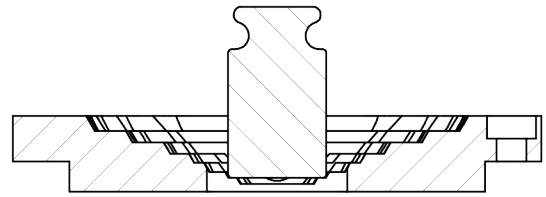
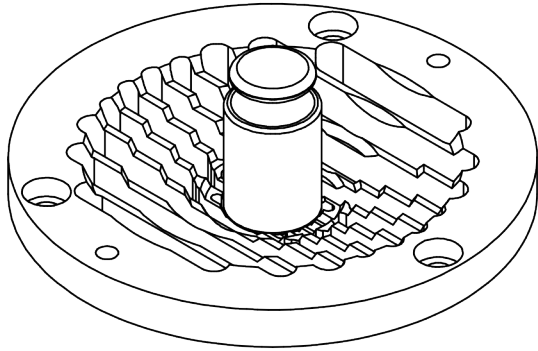




- Placement of a 20-g weight

To place a 20-g weight in the centre of the insert socket, make sure it is in the pocket 6:




**K-K ( 1 : 1 )**



### 9.3. Mass comparator levelling

The mass comparator is equipped with the **Level Sensing System** that monitors the machine levelling. Thanks to this unit, it is possible to continuously monitor the levelling while the mass comparator is operating, which is signalled in the top right corner of the screen. In case of any changes to the level, the system communicates it in the screen by changing the position of the level indicator and/or by sounding the alarm and entering the mass comparator level settings box.


#### Levelling procedure:

- Press  > levelling icon in the top right corner of the screen.
- The screen will show the levelling control panel.
- Level the machine by turning its legs as showed in the screen via pulsating pictograms  < > – the level point will move towards the centre of the circle.
- When the point gets into the inner circle of the „level view”, its colour will turn from red to green  – it means that the machine has been properly levelled.


#### Note:

*The device is equipped with the Level Control mechanism. To see how it works, see further sections of the manual.*

### 9.4. Mass comparator zeroing

To zero the mass value, press  key. The zero value of the mass will be displayed, together with the following symbols:  $\rightarrow 0 \leftarrow$  and  $\blacktriangle \blacktriangleleft$ . Zeroing is tantamount to determination of a new zero point, treated as a precise zero by the mass comparator. Zeroing is allowed only when the value displayed is stable and weighing pan is loaded.



### 9.5. Mass comparator tarring

To determine the net mass, put the load packaging, and when the value stabilises, press  key. You will see the zero value of the mass and the following symbols: **Net** and  $\blacktriangle \blacktriangleleft$ . After unloading and removing the packaging, the display will show the value of tarred masses with a minus sign. You can also assign tare value to the product in the database. If you do so, the mass comparator will download the tare value from the base when you select a product.

**Note:** *It is disallowed to tare the negative value. At attempt to tare the negative value will cause the error message to show up. If this is the case, zero the mass comparator and retare.*

#### Manual tare introduction

##### Procedure:

- Irrespective of the working mode, press  quick-access key.
- A numerical keypad will be displayed.
- Enter the tare value and press  key.
- The comparator will return to the comparison mode and the value of the tare with „-” sign will be displayed.

## Tare deletion

The tare value showed in the screen can be deleted by pressing ZERO key on the mass comparator housing or using <Disable tare> programmable key.



**Procedure 1** – after removing the tarred load from the weighing pan:

- press ZERO key,
- the NET marker will be deleted. A new zero point of the mass comparator has been determined.

**Procedure 2** – when a tarred load is on the weighing pan:

- press ZERO key,
- a NET marker will be deleted. A new zero point of the mass comparator has been determined,
- when the tare value exceeds 2% of the maximum loading capacity, the -Err- message will be displayed (operation is unfeasible).

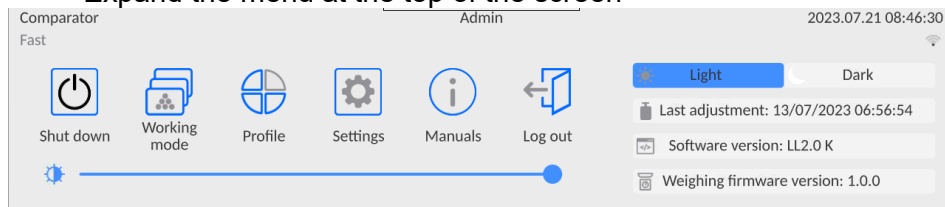
**Procedure 3** – when a tarred load is on the weighing pan or after removing the tarred load from the weighing pan:

- press <Disable tare>  programmable key,
- a NET marker will be deleted,
- the tare value will be displayed,
- press <Restore tare>  key to restore the last used tare value.

## 9.6. Working mode activation

To change the working mode, do as follows:

- Expand the menu at the top of the screen



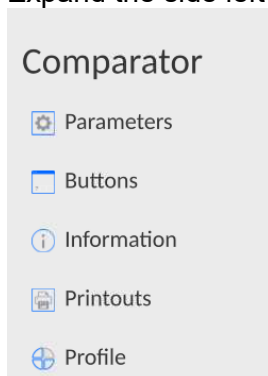
- Press <Working mode>
- A list of modes will be displayed.
- Select **<Comparator>** mode to make the program return to the home screen and display the name of the working mode in the top bar,
- At this time the following message will be displayed in the working box: **<Start control>**,
- Select internal and external load (depending on the type of comparator) that is suitable for the mass of the calibrated weight,
- Position a suitable control weight on the weighing pan,
- Zero/tare the value showed by the comparator.

## 9.7. Working mode parameters

Every working mode is assigned programmable parameters that determine its operation.

How to access these parameters:

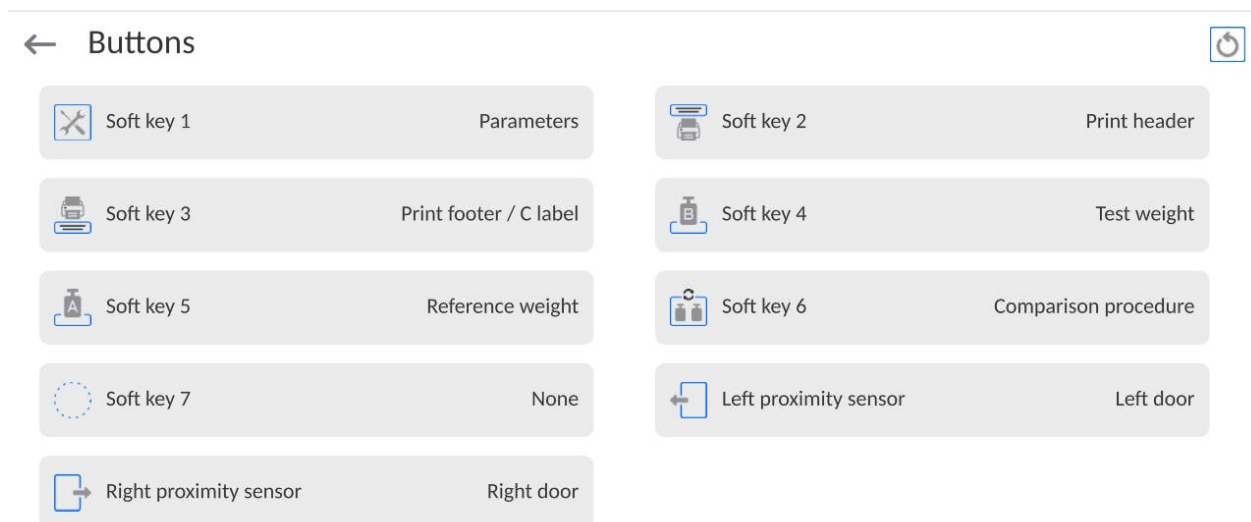
1. Expand the side left menu.




2. The following menu will be displayed:
  - <Parameters> - additional mode-related options.
  - <Keys> - quick-access key defining.
  - <Information> - selection of information to be showed in the Info field.
  - <Printouts> - selection of type and content of printout.
  - <Profiles> - working profile defining
3. Press a relevant menu and select the item that is to be modified.

The description of basic parameters available in the <Settings> menu can be found further in the manual. *Additional weighing-related parameters.* Other parameters related to specific modes are described in sections dedicated to these modes.

## 9.8. Quick-access keys, proximity sensors

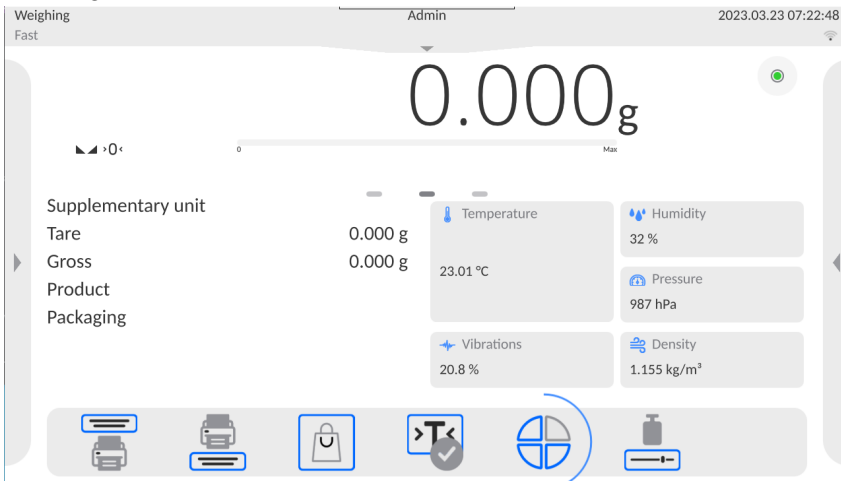


You can quickly restore default key arrangement in the bottom bar of the display, to do it click  button (top right-hand corner).

You can define 7 keys visible in the lower bar of the screen.

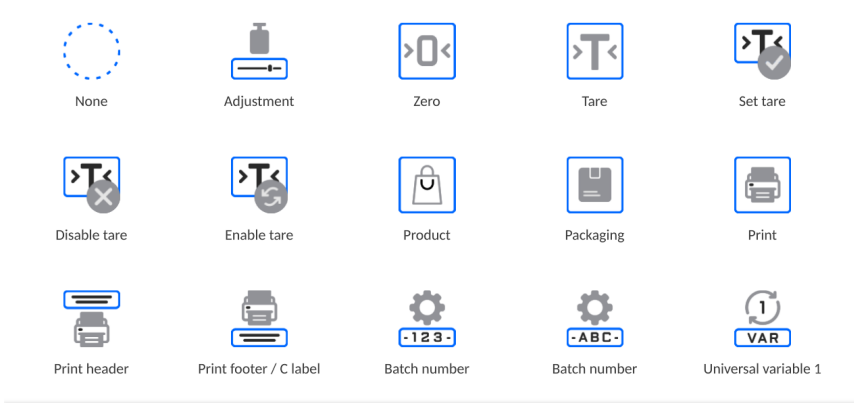
After assigning the function to the key, a suitable icon shows up in the lower navigation bar of the home screen. Availability of keys depends on the working mode. The list of keys can be accessed in the ATTACHMENT B of the manual. It is the so-called quick-access key for the most frequent operations.

Another method of adding or changing the key is to press and hold the field in the buttons bar for about 3 seconds.

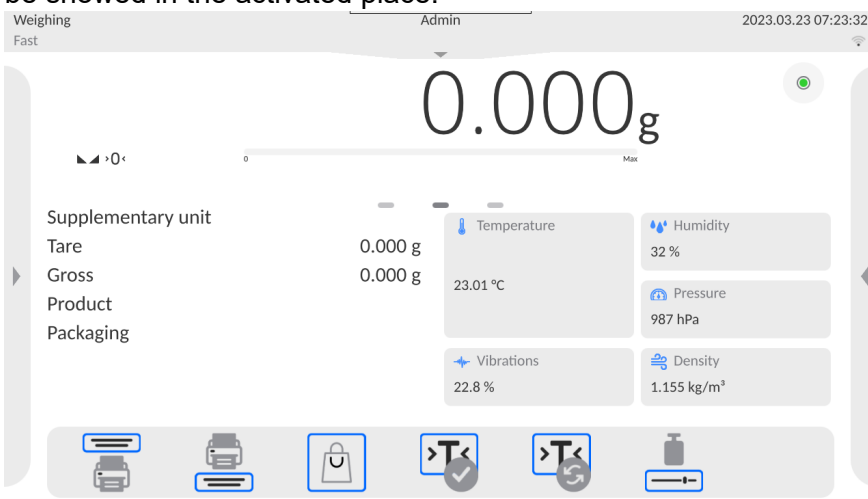


The window with available keys will be displayed instantly.

← Available actions



Press the key you wish to add and the program will go back to the home screen. The selected key will be shown in the activated place.



### 9.8.1. Proximity sensors

The machine is equipped with two proximity sensors that allow controlling the device with no need to press keys on the housing or touch screen.

The program can detect four motions near sensors:

1. Putting a hand in front of the left sensor <Left proximity sensor>.
2. Putting a hand in front of the right sensor <Right proximity sensor>.

## 9.9. Working mode - Comparator

**<Comparator>** working mode allows you to determine the standard deviation for a series of measurements. The standard deviation can be determined on the basis of a series of measurements: ABBA, ABA or AB, where:

A – control sample mass (reference weight)

B – test sample mass

The number of measurements for the series and ABBA or AB method is established by the operator in the **<Working Modes>** parameters group in the **<Comparator>** submenu.

**The results are counted by the program as per the tables and patterns below:**

**For ABBA series**

Item	A	B	B	A	$D = B_{sr} - A_{sr}$
1					$D_1$
2					$D_2$
3					$D_3$
4					$D_4$
5					$D_5$
.....					...
$n$					$D_n$

**For ABA series**

Item	A	B	A	$D = B - A_{sr}$
1				$D_1$
2				$D_2$
3				$D_3$
4				$D_4$
5				$D_5$
.....				...
$n$				$D_n$

**For AB series**

Item	A	B	$D = B - A$
1			$D_1$
2			$D_2$
3			$D_3$
4			$D_4$
5			$D_5$
.....			...
$n$			$D_n$

The standard deviation can be calculated by determining:

- differences between ABBA or ABA values for each group of measurements:

$$D_i = \bar{B} - \bar{A}$$

- the average value of the differences of ABBA or ABA:

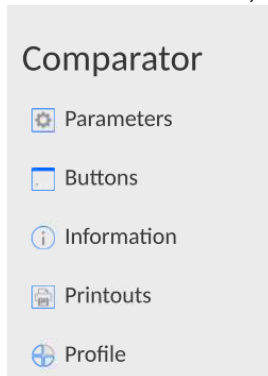
$$\overline{DX}_i = \frac{1}{n} \sum_{i=1}^n D_i$$

- Standard deviation:

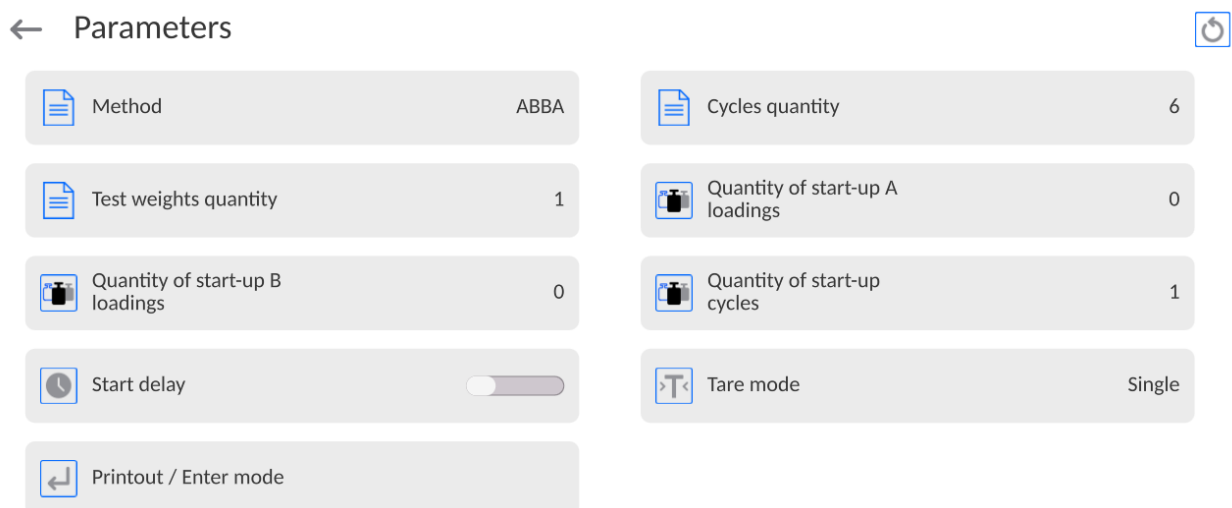
$$s = \sqrt{\frac{1}{n} \sum_{i=1}^n (D_i - \overline{DX}_i)^2}$$

### 9.10. Selection of measurement method in the mass comparator

The mass comparator working modes settings contain special functions adapted to clients' specific needs. The working modes can be configured in **<Working modes>** submenu. To enter **<Working modes>** submenu, expand the side right menu.



Next click **<Settings>** key and the working mode edition box will be displayed:




To change the type of weight calibration method, press **<Method>** key and select the desired method:

- ABBA
- ABA
- AB
- B
- ABABA


### 9.11. Declaration of the number of cycles

**Procedure:**

- Select **<Comparator>** and press **<Parameters>**
- Press **<Number of cycles>** key, enter the desired number of measurement cycles and press  to confirm.


### 9.12. Declaration of the number of A standard start-up placements

**Procedure:**

- Select **<Comparator>** and press **<Parameters>**
- Press **<Number of A standard start-up placements>**, enter the desired number of measurement cycles and press  key to confirm.


### 9.13. Declaration of the number of B standard start-up placements

**Procedure:**

- Select **<Comparator>** and press **<Parameters>**
- Press **<Number of B standard start-up placements>**, enter the desired number of measurement cycles and press  to confirm.

### 9.14. Declaration of the number of start-up weighing cycles

**Procedure**

- Enter **<Working Modes>** parameters group,
- Select: **<Comparator>**, then **<Settings>** and **<Number of start-up weighing cycles>** to see **<Number of start-up weighing cycles>** edition box and an on-screen keypad,
- Enter the desired value and press  key to confirm.

### 9.15. Start delay

- Enter **<Working Modes>** parameters group,
- Select: **<Comparator>** and then **< Parameters >** and **<Start delay>** to open the settings edition box,
- Enter the desired value: YES – when the comparison procedure starts, a window will open and you will be required to enter the period of time corresponding to the delay. When the preset period of time expires, the comparison procedure will start. NO – the procedure starts instantly after its initiation. After selecting the suitable option, the selection box will close and the description in the parameter will be modified.

### 9.16. Tare mode

- SINGLE,  
the value is saved when you single click the TARE key. Click again to set a new tare value. Selecting the product or packaging which the tare value has been assigned to causes the previous tare to be deleted
- SUM OF CURRENT,  
currently entered tare values for the product and packaging are summed up (as arises from the selection of the product and packaging from the database) and it is possible to add the manually entered tare value to this sum. When you set the tare value for the product or packaging again, the tare value that has been entered manually will be deactivated.
- SUM OF ALL,  
all previously entered tare values are summed up.
- AUTOTARE  
Principles of operation:  
Every first measurement is tarred when the value is stable. The NET inscription will be



displayed. Now you can specify the net mass. After unloading and returning to the autozero zone, the program automatically deletes the Tare value.

- EVERY MEASUREMENT:  
it is possible to tare before every measurement in the series.

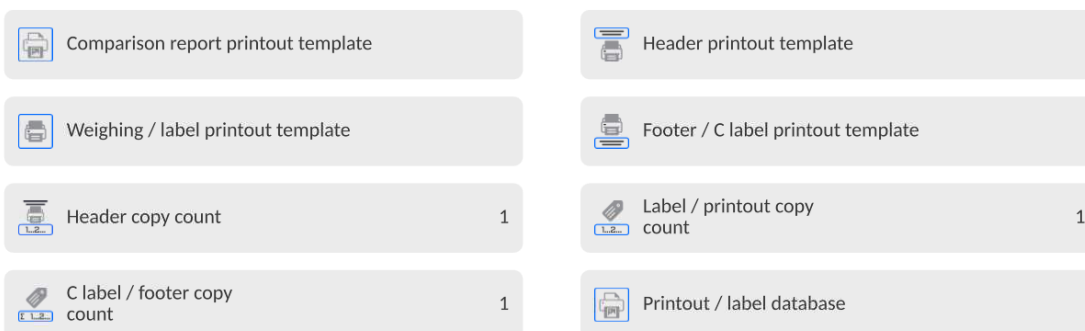
### 9.17. Printout/approval mode

- PRINTOUT / APPROVAL KEY
  - Never – inactive printout
  - First stable – first stable measurement is recorded
  - Every stable – all stable measurements are accepted
  - Every – printing all measurements (stable and unstable), for verified comparator only stable results (as in <Every stable>)
- AUTOMATIC MODE
  - None – inactive printout
  - First stable – the first stable measurement is recorded after loading the weighing pan, another stable measurement is recorded after unloading the weighing pan and after the value drops below the preset threshold and after loading the weighing pan again
  - Last stable – only the last stable measurement is accepted, the last stable measurement that occurred before unloading the pan is recorded. The record is made after unloading the weighing pan and after the value drops below the preset threshold.
  - With interval – this option specifies how often the result is to be sent for printing
- THRESHOLD  
mass value for automatic printout, set in grams.
- INTERVAL  
time unit value for weighing result printout.
- PRINT REPORT  
Yes – automatic printout of the report after the end of calibration  
No- report printout blocked
- PRINT INDIRECT RESULTS ON ONGOING BASIS  
Yes – automatic printout of every indirect measurement  
No- blocked printout

### 9.18. Printouts




<Printouts> menu consists of three setting units. The first is standard printouts: <Header printout template>, <Weighing record/label printout template>, <Footer/C label printout template>, and the second is non-standard printouts: <Printout/label base>, and third is dedicated to parameters that allow setting the printed quantities: header, weighing record and footer, and single clicking the particular printouts call key.

← Printouts



**Standard printouts** consist of three units that contain various variables. For each variable, it is necessary to set  – if it is to be printed out or  – if not.

The operator can quickly change selection of variables for printout, using keys in the top right corner of the window.




	Unselect all variables.
	Select all variables.
	Restore default selection.



**Procedure:**

1. Press the editable template name field (Header – Weighing record – Footer) and select variables to be printed out.
2. **If you select the non-standard printout, create it.**

<u>HEADER PRINTOUT TEMPLATE</u>	<u>WEIGHING RECORD/LABEL PRINTOUT TEMPLATE</u>	<u>FOOTER/C LABEL PRINTOUT TEMPLATE</u>
<ul style="list-style-type: none"> <li>– Non-standard printout</li> <li>– Dashes</li> <li>– Working mode</li> <li>– Date</li> <li>– Time</li> <li>– Comparator type</li> <li>– Comparator ID</li> <li>– Operator</li> <li>– Full name</li> <li>– Levelling</li> <li>– Client</li> <li>– Warehouse</li> <li>– Product</li> <li>– Packaging</li> <li>– Universal variable 1...5</li> <li>– Empty line</li> <li>– GLP report</li> <li>– Non-standard printout</li> </ul>	<ul style="list-style-type: none"> <li>– Non-standard printout</li> <li>– N (measurement number)</li> <li>– Date</li> <li>– Time</li> <li>– Levelling</li> <li>– Client</li> <li>– Warehouse</li> <li>– Product</li> <li>– Packaging</li> <li>– Series number</li> <li>– Batch number</li> <li>– Universal variable 1...5</li> <li>– Net</li> <li>– Tare</li> <li>– Gross</li> <li>– Current result</li> <li>– Additional unit</li> <li>– Mass</li> <li>– MN-Method</li> <li>– Reference tare</li> <li>– Minimum sample</li> <li>– Minimum sample status</li> <li>– Mass for titrator</li> <li>– ID</li> <li>– Non-standard printout</li> </ul>	<ul style="list-style-type: none"> <li>– Non-standard printout</li> <li>– Working mode</li> <li>– Date</li> <li>– Time</li> <li>– Comparator type</li> <li>– Comparator ID</li> <li>– Operator</li> <li>– Full name</li> <li>– Levelling</li> <li>– Client</li> <li>– Warehouse</li> <li>– Product</li> <li>– Packaging</li> <li>– Universal variable 1...5</li> <li>– Dashes</li> <li>– Empty line</li> <li>– GLP report</li> <li>– Signature</li> <li>– Non-standard printout</li> </ul>

**HOW TO OPERATE PRINTOUTS – BASIC RULES**

1. Press  key on the housing to print out variables showed in WEIGHING field of the standard printout if they have the attribute =  (see: list of variables above).
2. The variables with the attribute = , showed in the HEADER or FOOTER will be printed out **ONLY** when you press **Print Header** or **Print Footer** icon. These icons must be placed in the lower bar of the screen as quick-access keys.  
(To get familiar with the icon placement procedure, see point 9.8 of the manual)

	
Print information from the header	Print information from the footer

**Note:**


*Units for mass printout:*

- *Net – main (adjustment) unit*
- *Tare – main (adjustment)unit*
- *Gross – main (adjustment) unit*
- *Current result – currently displayed unit*
- *Additional unit – additional unit*
- *Mass – main (adjustment) unit*

**Non-standard printout**

The printout may contain TEXTS and VARIABLES (that are downloaded from the program upon printout). Every printout is a separate template, has its unique name that identifies it and is saved in the database.

**Procedure:**

1. Press <Non-standard printout> field.
2. Press <Add>  key to open another box with the following data: Name/Code/Template.
3. Enter the name and code for the printout.
4. Press <Template> key.
5. You will see a keypad box that allows you to edit the printout.
6. Use the keypad to design the printout; the printout may include texts and variables.

**Note:**

- *You can add printouts from the external memory stick by importing already configured texts, using a USB port.*
- *The printout name is a ONLY NAME and does not represent its content.*
- *The method of designing the non-standard printout is described in point 13.10 <Printouts>.*

## 9.19. Report on comparison processes

After the end of every comparison procedure, a report is generated. It is saved in **<Comparison reports>** database. The name of the report file takes a form of date and time for the density determination procedure.

Example of the report:

Report no. C/31/10/11/11/43  
 End date 2017.05.28 11:44:46

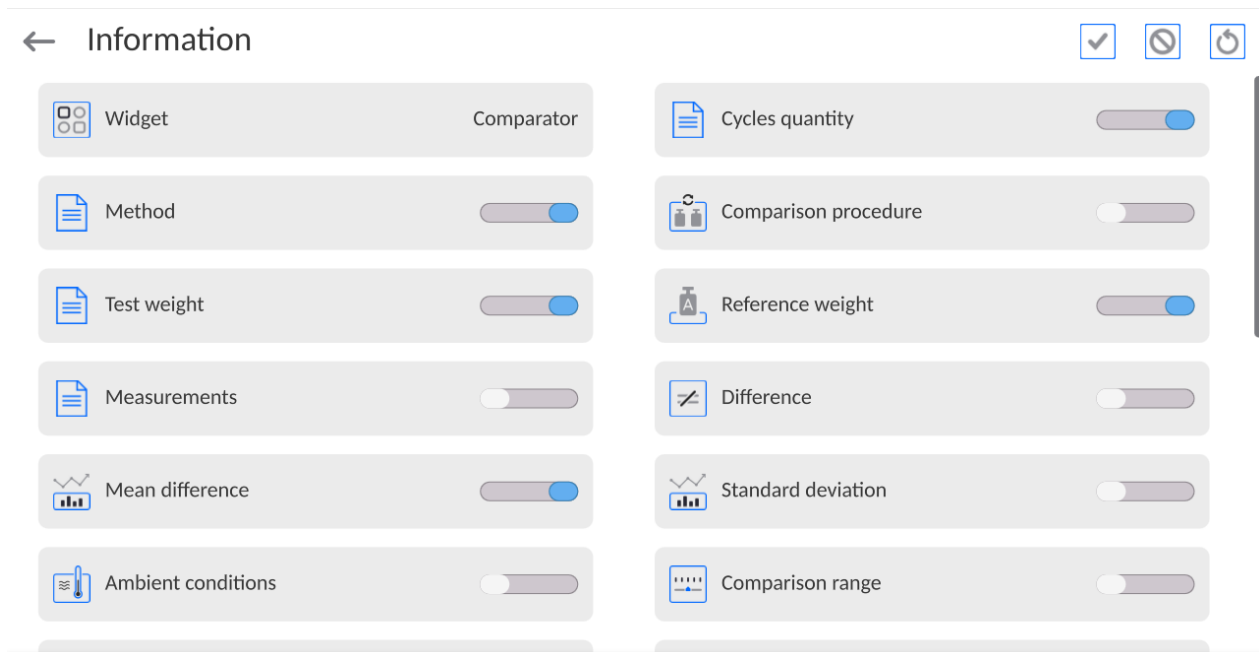
n	A	B	A	D
1	0.000	0.131	0.001	0.1305
2	0.002	0.130	0.003	0.1275
3	0.004	0.131	0.004	0.127

Average difference 0.12833 g  
 Standard deviation 0.00189 g




Method ABA

Signature

## 9.20. Information and shortcut key management



You can quickly change selections of information to be displayed using keys in the top right corner of the screen.

	Unselect all information.
	Select all information.
	Restore default selection of information.

The weighing-related information is showed on the left side of the central part of the screen.

Cycles quantity	10
Method	ABBA
Test weight	
Reference weight	
Mean difference	










You can put 6 pieces of information at the most there. If you select more, the first 6 will be showed.

For each piece of information, you can choose either of these two options:


-  – visible information.
-  – invisible information.

### 9.21. Comparison – basic procedure

Before you start calibrating, set such comparison parameters as method, number of cycles, etc., and define reference weights <A> and test weights <B>. To make sure the operation with the device is easy, you can set comparison plans.

1. In the home screen, press  key in the bottom left corner of the screen.
2. Select  databases.
3. Enter  reference weights and define reference weights
4. Return to the Database, enter  test weights and define test weights
5. Return to the Database and define  comparison plans
6. Return to the home screen, press  comparison plans in the functional key bar, and then select a relevant comparison plan or select the relevant reference weight <A> and test weight <B>.
7. To start the comparison procedure, press  key in the home screen to automatically initiate the procedure as per preassigned parameters.
8. Follow the messages displayed in the information bar.
9. The following information will be displayed: **<Number of cycles 1/n>** - the first cycle with „n” cycles.  
**<Put A1-1>** - put **A1** weight first time in the cycle
10. Position **A1** weight on the weighing pan and confirm the measurement by pressing  key when the result is stable.
11. **<Position B1-1>** message will show up in the information bar.
12. Remove **A1** weight
13. **<-Wait->** message will be displayed in the screen. It means that the comparator is waiting for the **B1** weight on the weighing pan for the first time (description in the information bar)
14. Put **B1** weight on the weighing pan and confirm the measurement by pressing  key when the result is stable.
15. **<Position B1-2>** message will appear in the information bar.
16. Remove **B1** weight


**17.** <-Wait-> message will be displayed in the screen. It means that the comparator is waiting for the **B1** weight on the weighing pan for the second time (description in the information bar) – only if ABBA method has been selected

**18.** Reposition **B1** weight on the weighing pan and confirm the measurement with  key when the result is stable.

**19.** <Put A1-2> message will show up in the information bar.

**20.** Remove **B1** weight

**21.** <-Wait-> message will be displayed in the screen. It means that the comparator is waiting for the **A1** weight on the weighing pan for the second time (description in the information bar)

**22.** Put **A1** weight on the weighing pan and confirm the measurement by pressing  key when the result is stable.


**23.** The description in the information field with turn into <Number of cycles 2/n> - it suggests going into another cycle

**24.** Follow the steps as in the first cycle and finish the entire procedure

**25.** The procedure ends automatically with a calibration report printout. The report will be saved in the report base.


You can finish calibration or repeat the procedure.


### 9.21.1. Automatic comparator operation

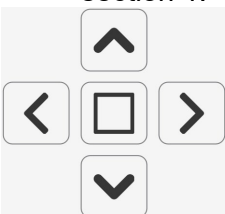
To control the comparator, you need to use the comparator control panel that can be displayed by pressing <  **Comparator control** >.

**The description of comparator control panel keys:**



section 1 () - here are numbered keys that correspond to particular items of inserts on the turntable

section 2 () - here are keys that specify the shift into the item of the set insert from the keys section 1.



section 3 ( ) - here are keys for manual change of the loading plate position

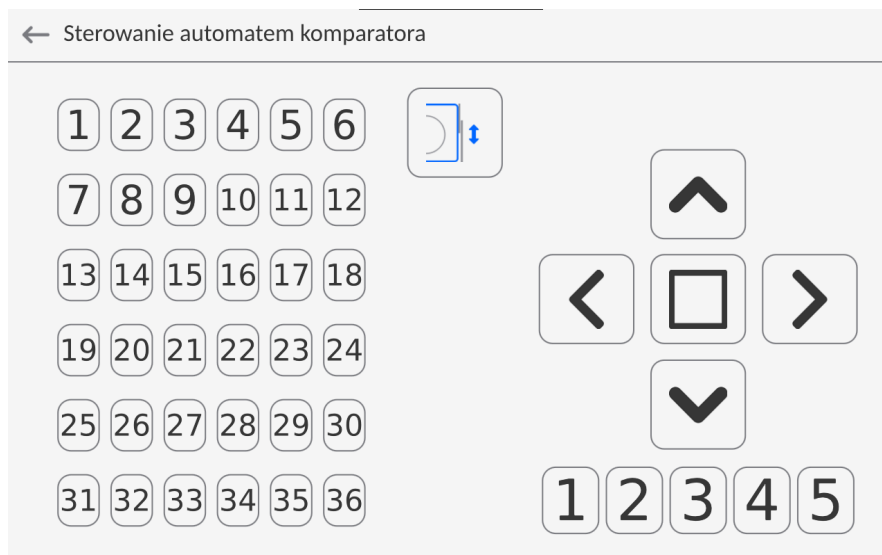


Fig.13



Left door
Right door
Weighing pan

select access position for set insert to left door

select access position for set insert to right door

select access position for set insert to the weighing

pan



move up vertically



move down vertically



turn +1 position, in a clockwise manner




turn +1 position, in an anti-clockwise manner



STOP key

**Procedure:**

In the home screen, select < Comparator control>,

to move the insert, press  from the section 2 and select one of 3 available items:

- Left door
- Right door
- Weighing pan

←
Move to position

---

Left door


---


Right door

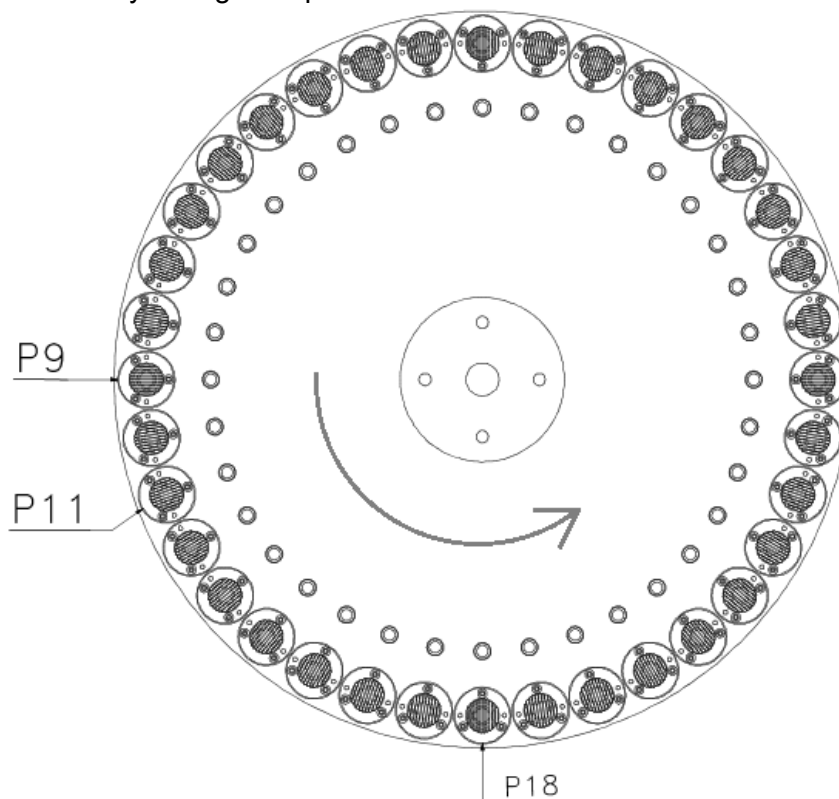

---

Weighing pan


---



Next select the desired insert number from the section 1 that is to move to the specific position.

Press  to manually change the position:





The insert in the position 18 is above the weighing pan.

If you wish to set the insert no. 9 above the weighing pan, make sure the turntable is in the upper


position. If not, press  **move up vertically**> and then press  **turn +1 position, in an anti-clockwise manner** > 9 times

$$18-9=9,$$


If you wish to set the insert no. 11 above the weighing pan, make sure the turntable is in the


upper position. If not, press  **move up**> and then press  **turn +1 position, in an anti-clockwise manner** > 7 times

$$18-11=7.$$

To put the weight on the weighing pan, press  **move down vertically**>



To finish working in the Comparator Control panel, press < > key in the bottom right corner of the panel.

If < **Comparator control**> key is not visible, you can activate it as per the description in the point: *Quick-access keys, proximity sensors*.

## 10. ADJUSTMENT

Mass comparators are equipped with the automatic adjustment (calibration) system which guarantees suitable measuring accuracy. To gain access to adjustment control functions, go to <ADJUSTMENT> menu.

### 10.1. Internal adjustment

The internal adjustment adopts the mass inside the mass comparator. <Internal adjustment> key is used to activate the adjustment procedure instantly. When it is finished, the mass comparator screen shows the message on the end of the procedure and its status.




**Note:**

*The mass comparator adjustment requires stable conditions (no air blows, no floor vibrations), the adjustment procedure must be performed when the weighing pan is empty.*

### 10.2. External adjustment

The external adjustment is made with the use of an external weight of a suitable precision and mass dependent upon the type and load capacity of the mass comparator. The procedure is semi-automatic and further stages are signalled through messages in the screen.

**Procedure:**

- Enter <Adjustment> submenu and then press: <External adjustment>.
- The mass comparator screen will show a relevant message. Unload the weighing pan and press  key. While determining the start mass, you will see the following message: **Start mass determination**.
- Once the start mass determination procedure is finished, the mass comparator screen will show another message; follow the message and put the required weight on the weighing pan, and then press  key.
- When the procedure is finished, unload the weighing pan and press  key to confirm. The mass comparator will return to the comparison procedure.

### 10.3. Adjustment test

<Adjustment test> function is used to compare internal adjustment results with the value entered in factory parameters. Such a comparison allows specifying mass comparator sensitivity drifts in time.

## 10.4. Automatic adjustment

In this menu, declare the factor that determines the time of initiating the automatic adjustment. The following options are available:

- None – automatic adjustment is inactive.
- Time – adjustment takes place at time intervals declared in <Automatic adjustment time> menu.
- Temperature – adjustment occurs when the temperature changes.
- Both – temperature change and time determine the moment of initiating the automatic adjustment.

## 10.5. Automatic adjustment time

<Automatic adjustment time> parameter specifies time intervals applicable to the automatic internal adjustment of the mass comparator. This period of time is defined in hours, from 1 to 12 hours.

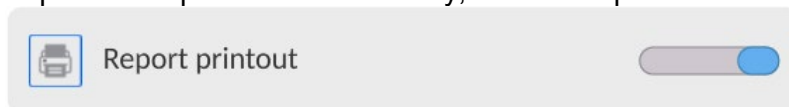
To set the automatic adjustment time, take the following steps:

- Press <Automatic adjustment time> key.
- In the menu, select time (given in hours) from the last adjustment to another internal adjustment.

## 10.6. Report printout

<Report printout> parameter specifies if the adjustment report is to be printed out automatically after the end of the procedure.

To print the report out automatically, switch the parameter into active printout.



## 10.7. GLP project

GLP is one of the methods of documenting work as per the adopted quality system. The information to be printed will be printed out together with every mass comparator adjustment report.

You can use the following information and marks:


- Adjustment
- Working mode
- Date
- Time
- Comparator type
- Comparator ID
- Operator
- Full name
- Levelling
- Nominal mass
- Current mass
- Difference
- Temperature
- Dashes
- Empty line
- Signature
- Non-standard printout

## 10.8. Adjustment history

It contains all mass comparator adjustments. They are saved automatically. Every saved adjustment contains basic data on the procedure. In this menu, you can display a list of saved adjustments. Every report can be printed out.

To print the adjustment report out, enter <Adjustment> submenu and then in <Adjustment history>



select the adjustment that is to be printed out and when details are showed, press <  > printed icon in the top bar.


### Note:

*If the mass comparator memory is full, the oldest record in the list will be deleted automatically.*

*If internal procedures require complete documentation for all adjustments, the list of these records must be printed out and archived periodically.*

## Searching for adjustments



It is possible to search for information on completed adjustment: press  key and enter the completion date.

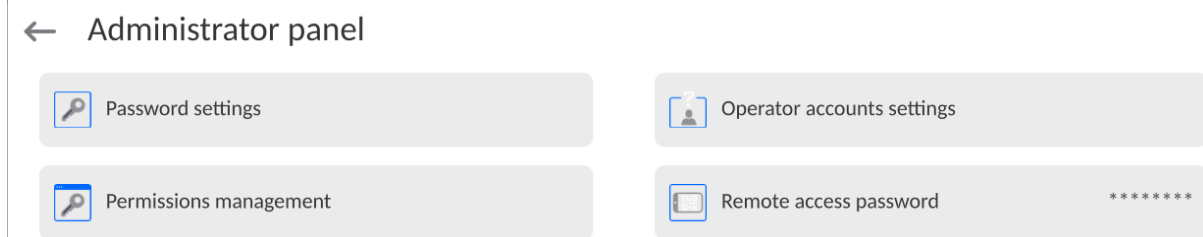
## Exporting information on completed adjustments

To export information on completed adjustments, insert the USB mass memory stick into the mass comparator port. Next press <Export data> key in the top right corner of the screen. The procedure is automatic. After the end of the procedure, the file with **.tdb** extension is saved. You can edit the aforesaid file e.g. in Excel sheet or text editor.

## 11. ADMINISTRATOR PANEL

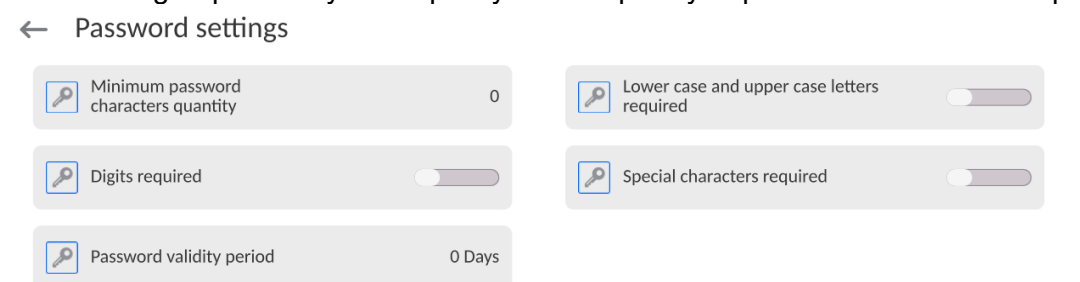
In this menu group, you can specify the range of actions that the operator with specific permission level can take, password protection level and permissions for the unlogged operator.

**NOTE: Only the operator with <Administrator> permission level can modify this menu.**



### 11.1. Password settings

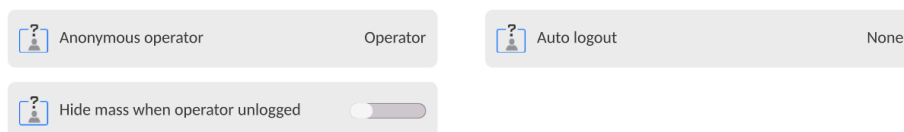
This menu group allows you to specify the complexity of password for mass comparator operators.



Minimum password length	Specify the minimum number of characters in the password. For „0” value, you can set any number of characters.
Require lower- and upper-case letters	Specify requirements related to the number of characters in passwords.
Require digits	
Require special characters	
Password validity period	Specify the period of time, in days, which when expires requires you to change the password. For „0” value, the program does not require you to change the password.

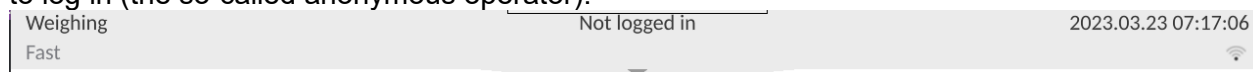
## 11.2. Operator account settings

← Operator accounts settings



### Unlogged operator permission

The administrator can assign a permission level to the mass comparator operator who has failed to log in (the so-called anonymous operator).



#### Procedure:

Enter <Operator account settings> parameters group and select <Unlogged operator permissions> variant, and then select one of the following options: Guest, Operator, Advanced Operator, Administrator.

**Note:** If you set <Guest>, the unlogged operator will not be authorised to change any settings in the program.

### Automatic logout

This option allows you to activate automatic logout after a specific period of time, given in minutes, if the mass comparator is not used. By default this option is disabled in the mass comparator (<None> setting).

#### Procedure:

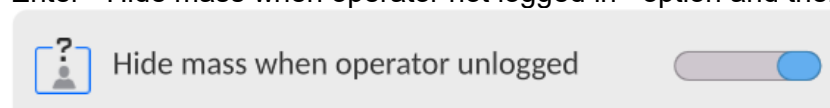
Enter <Operator account settings> parameters group, select <Automatic logout> option and then select one of the following variants: none/3/5/15/30/60. Time is given in [min].

### Hide mass when operator not logged in

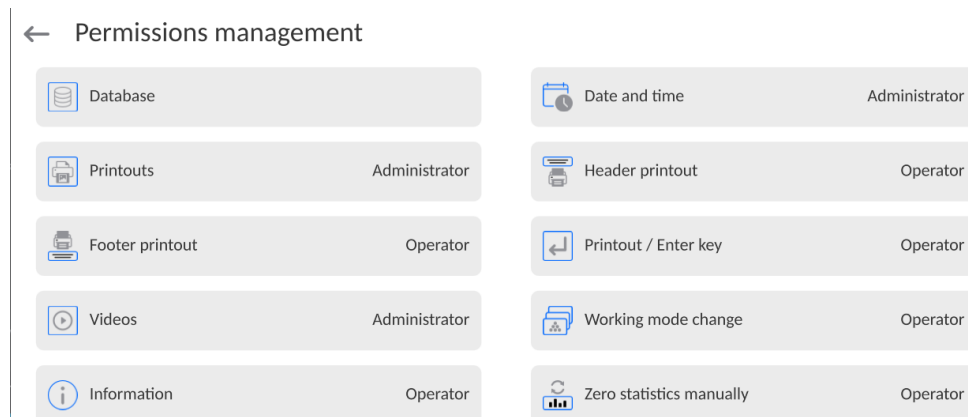
Here you can disable mass display if the operator is not logged in. By default this option is disabled in the mass comparator.

#### Procedure:

Enter <Hide mass when operator not logged in> option and then switch the toggle into active.

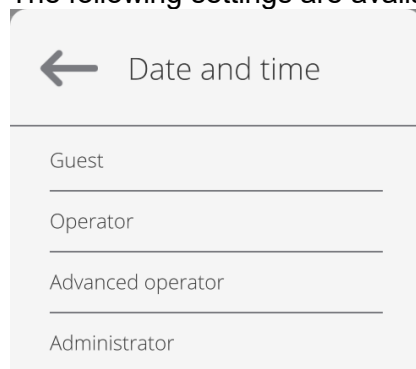


## 11.3. Permission management



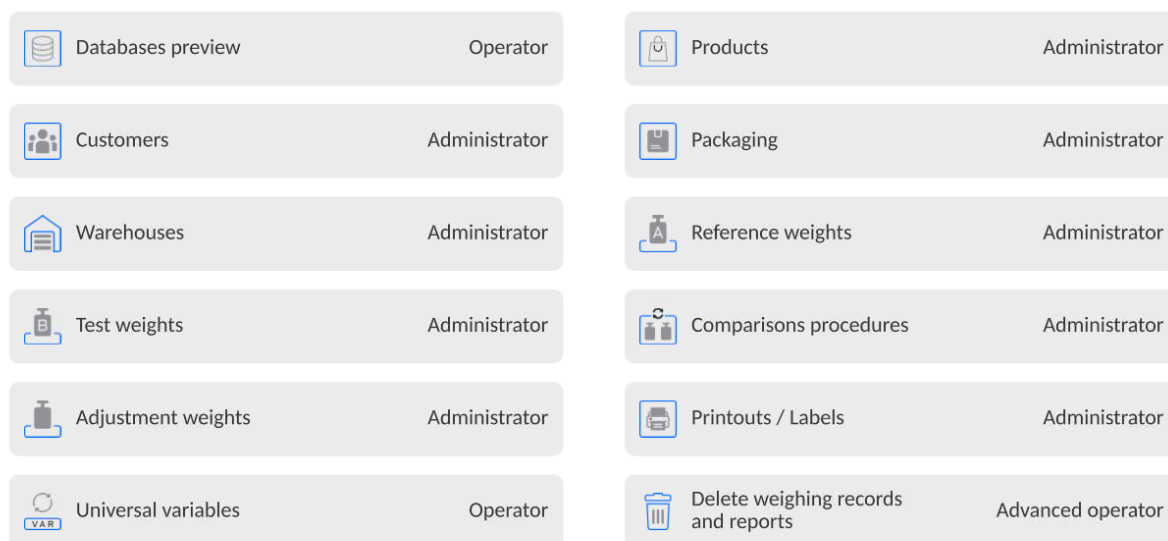
**Note:** If you set <Guest> value for particular parameters, the access to settings will be open (no need to log in).

For each option, you can assign the permission level for edition. The following settings are available:



### Databases

#### ← Database



Default mass comparator settings allow the operator logged as **Administrator** to change settings in particular databases. Depending on requirements, these permission levels can be modified.

Similarly, you can change permissions for edition of other options available in this menu.

## 11.4. Remote access password



The mass comparator can be accessed remotely using connection to the local Internet network that a computer is connected to. In this respect **VNC Viewer** application can be used. A default password set in the program is a sequence of the following characters: **radwag1234**. If you do not wish to use the default password, you must set your unique access password in the aforesaid parameter.

*Note: remember a new password in order not to lose remote access to the mass comparator.*


## 12. PROFILES

The mass comparator administrator can create new profiles by:

- copying the existing profile and modifying it afterwards,
- creating a new profile.




### How to copy the existing profile

#### Procedure:

- Enter the main menu by pressing  key.
- Next go to  submenu.
- Press and hold the name of the profile that is to be copied.
- You will see a menu in which you have to select <Copy> item.
- A profile called <Copy name> will be created and all settings will be identical to the base profile.
- After copying, change the data that must be modified: (name, etc.).

### How to add a new profile


#### Procedure:

- Enter the main menu by pressing  key.
- Next go to  submenu.
- Press  key.
- A new profile will be added automatically and ready for edition.



## How to delete the profile

### Procedure:

- Enter the main menu by pressing  key.
- Next go to  submenu.
- Press and hold the name of the profile that is to be deleted.
- You will see a menu, select <Delete> item from the list.
- Next, the following message will be displayed: <Are you sure you want to delete>?.
- Press  key to confirm the message. The profile will be deleted.

**Note:** Profile operations are possible after you have logged in as Administrator beforehand.


### 12.1. Profile structure

Each profile contains the following items:

- |                      |   |
|----------------------|---|
| <b>Settings</b>      | This menu allows you to assign a unique profile name (a sequence of alphanumerical characters) and declare a default mode (the selected mode will always be loaded as a start-up mode when you select the profile).   |
| <b>Working modes</b> | This option allows you to set specific options for particular working modes. It contains the following submenu: <ul style="list-style-type: none"><li>▪ Mode-related additional settings</li><li>▪ Keys</li><li>▪ Information</li><li>▪ Printouts</li></ul> |
| <b>Readout</b>       | It contains the following submenus: <ul style="list-style-type: none"><li>▪ Filter</li><li>▪ Result approval</li><li>▪ Autozero</li><li>▪ Autozero: Dosing</li><li>▪ Last digit</li><li>▪ Number of last digits</li><li>▪ Ambient conditions</li></ul>      |
| <b>Units</b>         | This menu allows you to declare a start unit, additional unit, 2 custom units, and to enter gravitational acceleration value in the place of using the mass comparator, and to declare availability of particular units.                                    |

### 12.1.1. Settings

#### Name

Enter this item to display a keypad box in the screen. Enter the profile name and press  to confirm. The assigned name will apply to the profile.

#### Default working mode

Enter this item to select a specific working mode as a start mode for the profile. In case of <None> option, select the profile to keep the mass comparator in the lately used mode.

### 12.1.2. Working modes

Enter this item to open the window with all available working modes. You can enter your own setting for each of them. These settings will be called after selecting a specific profile.

The following parameters are available for each working mode:

- Settings:  
here are specific settings related to the working mode and universal settings, such as result control, tare mode, automatic footer printout, printout mode, printout.
- Quick-access key functions:  
here you can declare keys that will be visible in the lower part of the screen.
- Information:  
here you can select information to be displayed in the grey info field.
- Printouts:  
here you can select the type of printout or define a non-standard printout.

### 12.1.3. Readout

You can adapt the mass comparator to external ambient conditions (filter level) or own needs. <Readout> menu consists of the following items:

#### **FILTER (unavailable to the following profiles: Fast, Fast dosing, Precision)**

Before it is displayed, every measuring signal is electronically processed in order to achieve correct parameters typical of a stable signal, that is ready for readout.

To a certain extent you can influence the range of processing by choosing a suitable FILTER.

The range of options:

- very fast, fast, average, slow, very slow.

While choosing the filtering level, consider real conditions of work of the mass comparator. For very good conditions, you can set an average or fast filter while for unfavourable conditions – slow or very slow filter.

#### **Note:**

- *for precise devices, it is advisable to choose very fast  average filters,*
- *for analytical balances and microscales, average  very slow filters are recommended.*

#### **Result approval (unavailable to the following profiles: Fast, Fast dosing, Precision)**

It determines the time of displaying a stability mark for measurement result.

You can set one of 3 result approval variants:


- fast, fast + precise, precise.

**Note:** *How fast the stable result can be achieved depends on the type of filter and selected result approval.*

#### **Autozero function**

The task of this function is to automatically control and correct the zero value of the mass comparator. When this function is active, further results are compared at fixed time intervals. If these results differ by fewer than the value of the declared AUTOZERO range, e.g. 1 readout unit, the



device will instantly zero and stability result markers –  and zero markers –  $\rightarrow \mathbf{0} \leftarrow$  will be displayed. When the AUTOZERO function is enabled, every measurement always starts from a precise zero. There are special cases in which this function hinders measuring. The example can be a very slow placement of the weight on the weighing pan (e.g. pouring the load on); this being the case, the zero indication correction unit may also correct real load mass indication.

Available values:           **NO** - autozero disabled.  
                                  **YES** - autozero enabled.

**Autozero function: Dosing (unavailable to the following profiles: Fast, Fast dosing, Precision)**  
The task of this function is to set the autozero in dosing function by default.

Available values are the following:

**NO** - autozero disabled automatically after entering the Dosing mode.  
**YES** - autozero enabled automatically after entering the Dosing mode.

### **Last digit**

Using this function, you can disable visibility of the last decimal place in the exposed weighing result.

There are three setting variants in this function:

- **Always:** all digits are visible.
- **Never:** last result digit is disabled and is not showed.
- **When stable:** last digit is displayed only when the result is stable.

### **Number of last digits**

Using this function, you can declare the number of hidden last result digits.

There are three settings in this function and operate in connection with <Last digit> item:

- **1:** last result digit.
- **2:** last two result digits.
- **3:** last three result digits.

### **Ambient conditions**

This parameter refers to the surrounding and conditions which the mass comparator operates in. If the ambient conditions are unstable, it is advisable to change the parameter into Unstable. By default this parameter is set into Stable.







The stable setting makes the mass comparator to operate a way faster. This means that weighing time is much shorter when compared to the Unstable parameter.

- **Unstable**
- **Stable.**

## 12.1.4. Units

You can declare a start unit and additional unit as well as two custom units for a specific profile.

### ← Units




 Available units	 Start unit
 Supplementary unit	None
 Custom unit 2	 Custom unit 1
	 G-core value

Here you can also enter the gravitational acceleration value in the place of using the mass comparator. It is required for using the mass value in [N].

#### The custom unit has the following:

- Formula (*custom unit calculation formula*): Factor \* Mass or Factor / Mass.
- Factor (*declare a factor for calculation of the custom unit as per the specific formula*)
- Name (*unique unit name that will be displayed next to the result – max. 3 characters*)

### ← Custom unit 1

 Formula	Factor * Mass	 Coefficient
 Name		

If such a unit is designed, its name will be visible in the list of available units, this option is available to non-verified devices only.

## 13. DATABASES

The software offers the following databases:

← Database



Operators



Products



Customers



Reference weights



Test weights



Comparisons  
procedures



Packaging



Warehouses



Printouts / Labels



Universal variables



Manage the  
database

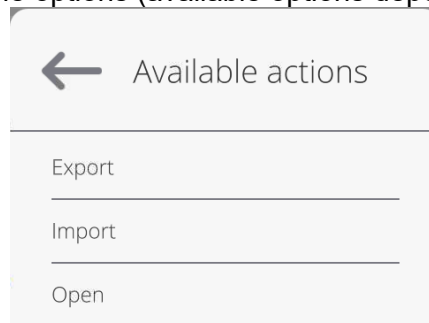
---

### 13.1. Database operations

**Database operations** are available only to the authorised operator.

To edit the bases, follow the steps below:

- Press and hold the database icon field.
- The menu related to this item will be displayed.
- Select one of the available options (available options depend on the type of base).



Selection of variants:

- **EXPORT** – this item allows you to export data saved in the database into the pendrive memory. Before selecting this item, plug the memory connector into any USB port. If the program can detect the memory, it will initiate the copying procedure instantly. When copying is finished, you will see a window with <Done> message and name of the file that data from the base have been saved in. Confirm the process.
- **IMPORT** – this item allows you to import data from the pendrive memory. Before selecting this item, plug the memory connector into any USB port. If the program can detect the memory, it will display a window with saved files. Specify the file with data to be imported. Selection of the file triggers the copying procedure automatically. When copying is finished, a window with <Done> message will be displayed. Confirm the process.
- **OPEN** – this item allows you to enter the specific database (as a single click of the base field).

After entering the specific database, you can perform any of the following operations (depending on the type of database):

1. Add item to database.

2. Search item in database by name.
3. Search item in database by code.
4. Search item in database by date.
5. Export data from database to USB memory stick.
6. Print information on record in database.

The aforementioned operations can be initiated using keys in the top right corner of the screen. Follow messages showed in the screen.


### 13.2. Operators

This menu contains a list of operators that can operate the mass comparator. You can define the following information for each operator:

Name	Code
Password	First and last name
Permission	Active account
Language	Default profile
Card number	Fingerprint ( <i>parameter is visible only after connecting the fingerprint scanner</i> )
Face profile	Motif

**NOTE: Only the Administrator-operator can add new operators or delete them from the database.**

To add a new operator, do as follows:

- In <Operators> menu, press <Add>  key.
- Define required fields for a newly created operator.

**Note:** You can browse through the operator database by code or operator's name.

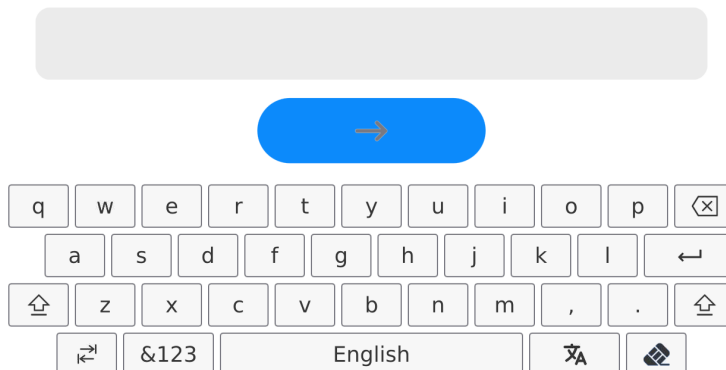
#### Logging via transponder card reader:

**Note:** A RFID reader installed in the head operates at the frequency of 13.56MHz and complies with ISO/IEC 14443 Type A.

Only cards in such a standard can be recognised by the reader.

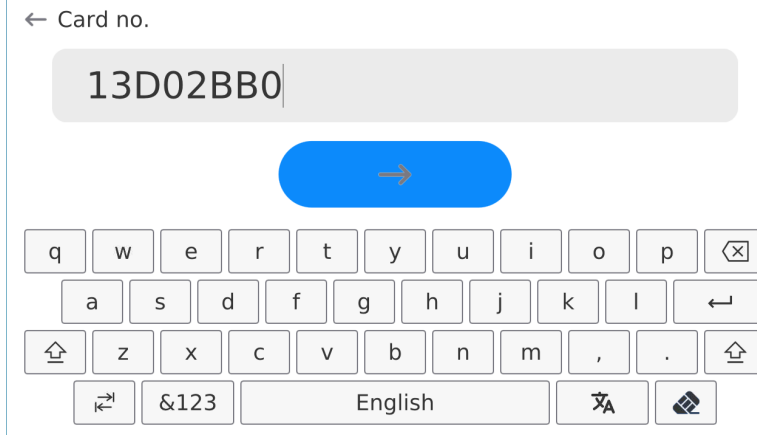
- Enter operator's settings
- Select <Card number> item

← Card no.

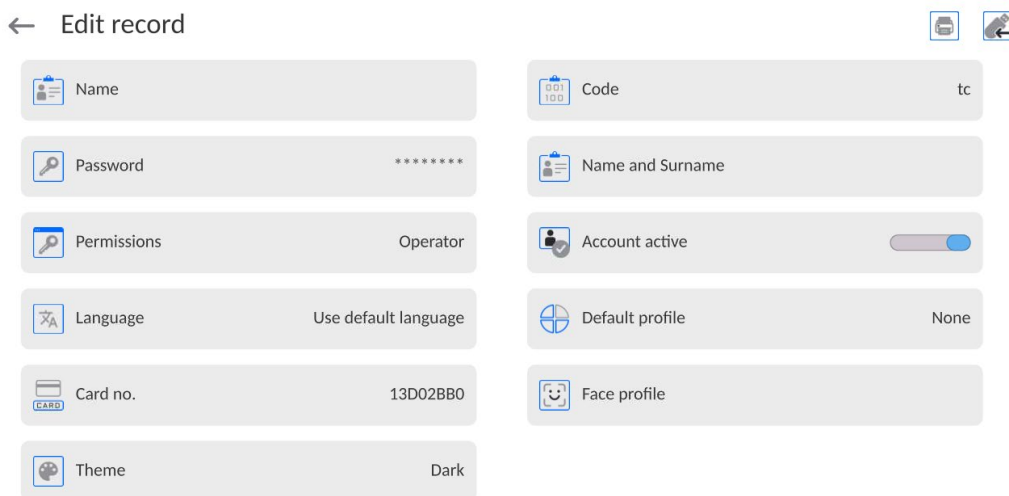


- Swipe the card at the RFID reader

- The card number will be instantly entered into the edition field



- Press  key and the card number will be added to the operator's settings

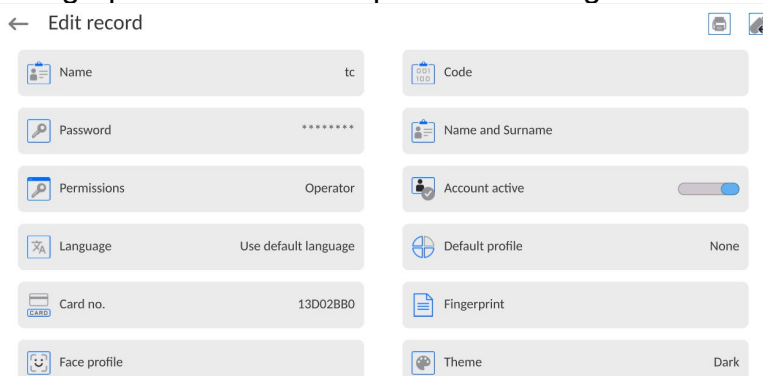


- Enter the main menu. From now on, when you swipe the card at the RFID reader, you will automatically log in.

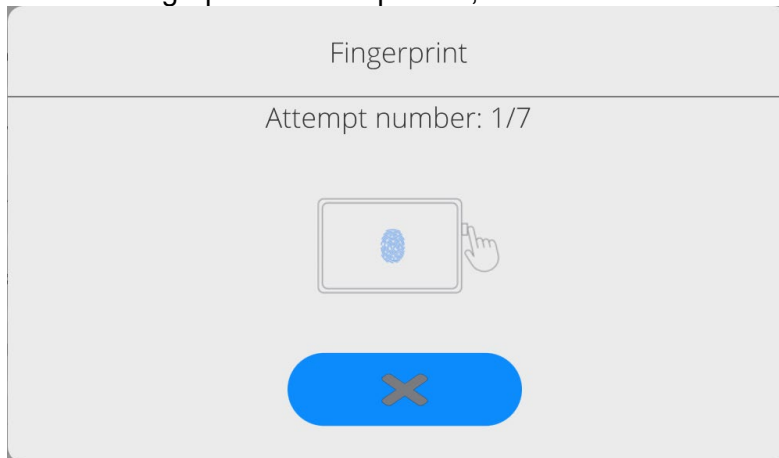
## Logging via fingerprint:

**Note:** You can connect the mass comparator only to the fingerprint scanner listed as an item dedicated to these devices. The list of accessories can be found on RADWAG's website.

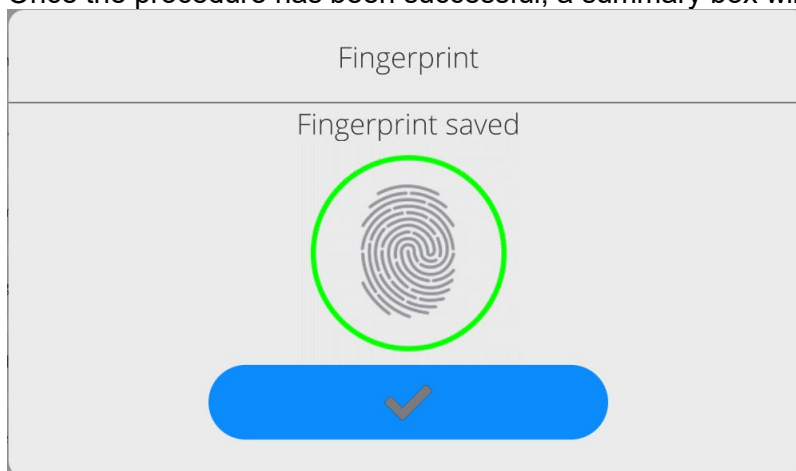
- After plugging the fingerprint scanner into the USB-A port, you will see <Fingerprint> item in the operator's settings menu.




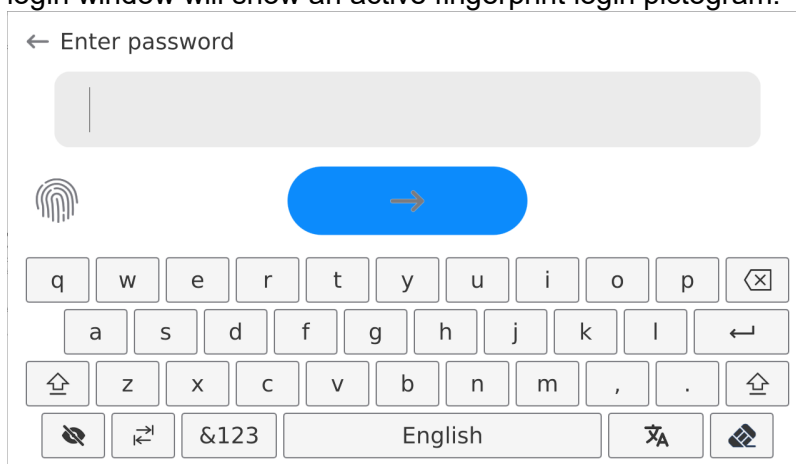
- To add a fingerprint for the operator, enter this item



- Scan your fingerprint and repeat the procedure 7 times (as per the description in the box).
- Once the procedure has been successful, a summary box will be displayed,



- Press  key to confirm the fingerprint assignment procedure.
- From now on, if the fingerprint scanner is connected to the USB port, the operator's login window will show an active fingerprint login pictogram.



- When you put your finger against the scanner and your finger matches the saved pattern, the pictogram will turn green for a while. The operator will be automatically logged in and the program will go to the home screen of the program. The name of the logged operator will be displayed in the top bar of the screen.
- If the scanned fingerprint does not match the pattern, the pictogram will turn red for a while and the operator will not log in. A login box will still be displayed.

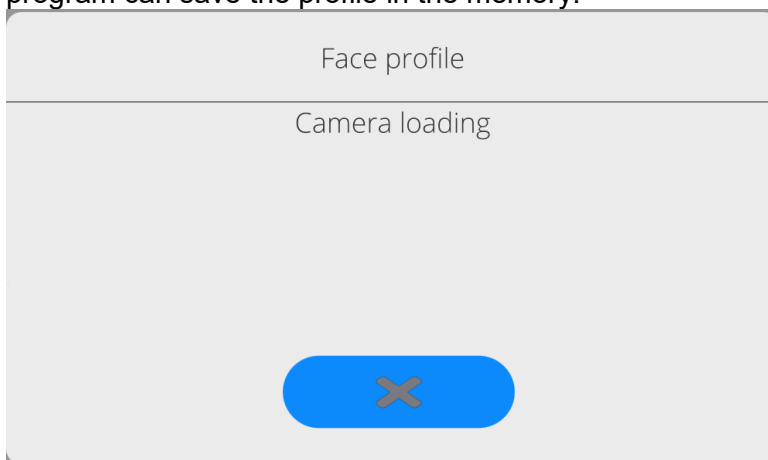
### Logging via face profile:

- To add a face profile for the operator, enter this item

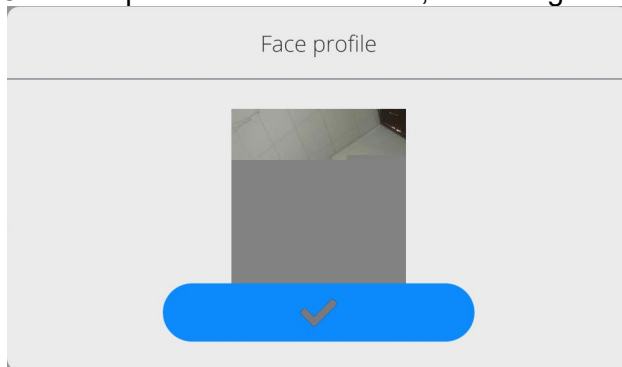
← Edit record


Name	tc	Code	tc
Password	*****	Name and Surname	
Permissions	Operator	Account active	<input checked="" type="checkbox"/>
Language	Use default language	Default profile	None
Card no.	13D02BB0	Face profile	
Theme	Dark		

- After running this item, you will see a message and the face profile will be scanned. At this time you need to position yourself in front of the camera correctly so that the program can save the profile in the memory.

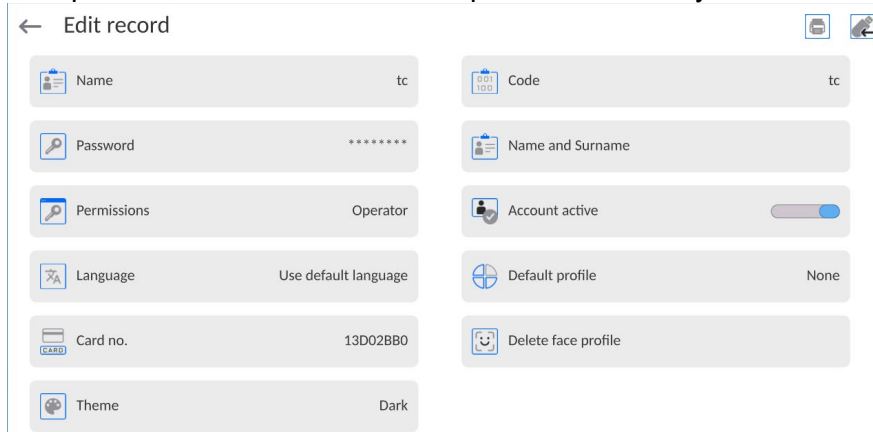


- Once the profile has been saved, a message and camera photo will be displayed.

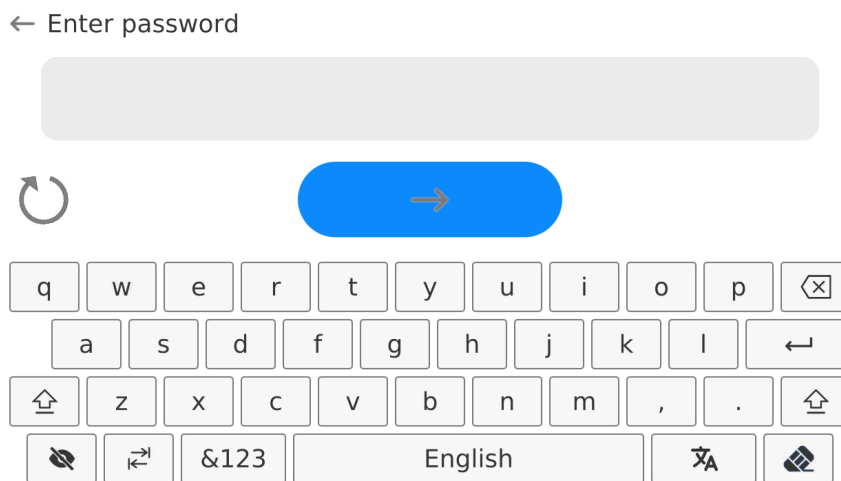


- Press  key to close the window.

- In the operator's settings window, the description of the item will change into <Delete face profile>, which means that the profile has already been saved in the memory.



- From now on, if you have added the face profile, when you log in and enter the login box, the program will instantly load the profile, signalled through a pictogram on the left side of the window.



- The program automatically scans the operator face profile photo and loads the photo. The camera activates (which is signalled through a glowing light by the camera) and the saved photo is compared with the profile scanned by the camera. If these photos match, you will go to the home screen of the program and the name of the operator will be displayed in the top bar of the screen.

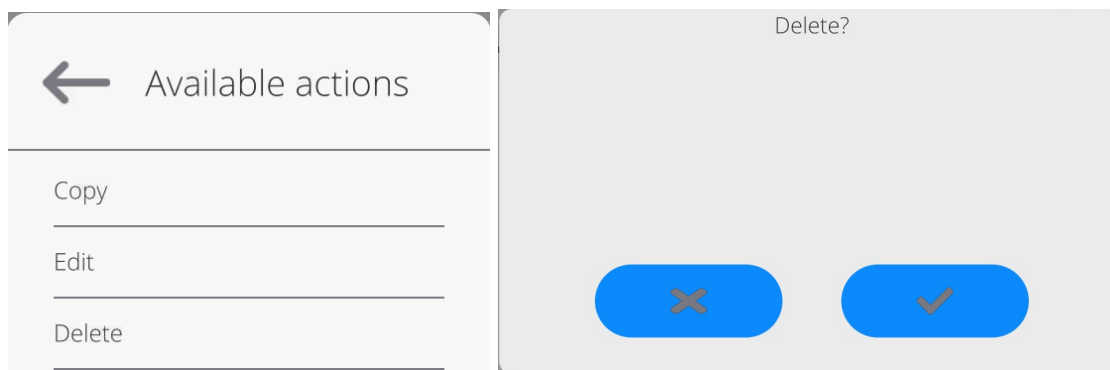
**Edition of information** related to the operator:

- Press the operator's name field.
- Properties related to the operator will be displayed.
- Select and modify required data.

**To delete** the operator, follow the steps below:

- Press and hold the operator's name.
- The menu related to this item will be displayed.
- Select <Delete> item and confirm your choice.





### 13.3. Products

The product database contains names of all items that can be weighed, counted, controlled.

#### Procedure:

- Enter <Databases> submenu and press <Products> field.
- Press <Add> key if a new product is to be added.
- If the product already exists, press the product name field.

#### The list of information defined for the product:

- |                             |   |
|-----------------------------|---|
| 1. Name                     | [product name]  |
| 2. Description              | [product description]   |
| 3. Code                     | [product code]  |
| 4. EAN code                 | [product EAN code]  |
| 5. Mass                     | [nominal/unit mass of the product]  |
| 6. Min                      | [minimum mass while weighing the product in result control thresholds – LO. <T1→ error value for <Mass control> mode is defined as nominal mass percent]                  |
| 7. Max                      | [maximum mass for weighing the product in result control thresholds – HI. <T1+> error value for <Mass control> mode, defined as nominal mass percent]                     |
| 8. Tolerance                | [% value counted in relation to mass (5), shows the field in which the measurement is considered as correct]  |
| 9. Tare                     | [product tare value, set automatically when selecting the product from the base]  |
| 10. Price                   | [product unit price]  |
| 11. Density                 | [product density, used for compensation of air buoyancy as a sample density] - [g/cm <sup>3</sup> ]   |
| 12. Shelf-life time in days | [shelf-life time given in days]   |
| 13. Date                    | [permanent product date]  |
| 14. VAT                     | [VAT tax related to the product]  |
| 15. Ingredients             | [edition box in which you can enter names of ingredients which the product is made of, e.g. when it is a mixture, or additional description of properties or application] |
| 16. Printout                | [printout template assigned to the product]   |

**Note:** Please remember to make sure products are assigned to relevant functions. Values will be automatically adapted to the function used by the operator to enter the database.

### 13.4. Clients

The Clients database contains names of Recipients that weighing is performed for.

#### Procedure:

- Enter <Databases> submenu and press <Clients> item.

- Press <Add> key>.
- If the Client field already exists, press the relevant name field.

**The list of information defined for clients:**

1. Client's name
2. Client's code [client's internal identification code]
3. NIP [taxpayer's ID]
4. Address
5. Postal code
6. City/town
7. Discount
8. Printout [type of printout, label related to client]

### 13.5. Reference weights

The reference weights database contains a list of reference weights used in the weight comparison procedure. These reference weights are used to define comparison plans.

**Procedure:**

- Enter <Databases> submenu and press <Reference weights> field.
- Press <Add> key if a new reference weight is to be designed.
- If the reference weight already exists, press the relevant name field.

**Note:**

*You can use <Search by name>, <Search by code> <Export data> items.*

**The list of information defined for reference weights:**

1. Name
2. Code
3. Class
4. Factory number
5. Mass
6. Set number

### 13.6. Test weights

The test weights database contains a list of test weights used in the weight comparison procedure. Test weights are used to define comparison plans.

**Procedure:**

- Enter <Databases> submenu and press <Test weights> field.
- Press <Add> key if a new test weight is to be designed.
- If the test weight already exists, press the relevant name field.

**Note:** *You can use <Search by name>, <Search by code> <Export data> items.*


**The list of information defined for test weights:**

1. Name
2. Code
3. Class
4. Mass
5. Order number
6. Test weight number

## 13.7. Comparison plans

The comparison plan base contains a list of defined comparison plans. These comparison plans are created to automatically compare weights after reference weights and test weights have been previously defined.

### Procedure:

- Enter <Databases> submenu and press <  Comparison plans> field.
- Press <Add> key if a new comparison plan is to be designed.
- If the comparison plan already exists, press the relevant name field.

### Note:

*You can use <Search by name>, <Search by code> <Export data> items.*

### The list of information defined for comparison plans:

1. Name
2. Code
3. Comparison plan template (always YES if it is to be remembered)
4. Start delay
5. Start time
6. Clear start time
7. Comparisons

After entering information from point 1-6, enter Comparison field, add a new comparison and assign it with relevant features:

1. Reference weight
2. Test weight
3. Number of cycles
4. Method
5. Number of start-up weighing cycles
6. Number of repetitions

Next you can analogically assign another comparison to the same comparison plan. The number of comparisons in one comparison plan is determined by the number of test weights and reference weights that the specific comparator supports.

## 13.8. Packaging

It is a list of packaging which you need to give a name, code and mass value for. While weighing, select the name to call the tare value automatically. This value will be displayed with a minus sign.

### Procedure:

- Enter <Databases> submenu and press <Packaging> field.
- Press <Add> key if a new packaging is to be added.
- If the packaging already exists, press the relevant name field and enter packaging-related data.

### Note:

*You can search by name or code.*

## 13.9. Warehouses

Depending on the work organisation, warehouses database contains a list of places which the sample has been collected for weighing, or places which the sample has been delivered to. For each warehouse, enter the name, code and description. While weighing, select the warehouse name to automatically assign it to the result.

**Procedure:**

- Enter <Databases> submenu and press <Warehouses> field.
- Press <Add> key if a new warehouse is to be added.
- If the warehouse already exists, press the relevant name field and enter identification data.

**Note:**

*You can search by name or code.*

### 13.10. Printouts

The printout database contains all NON-STANDARD printouts. Each of them has its unique name, code and the so-called template.

**Procedure:**

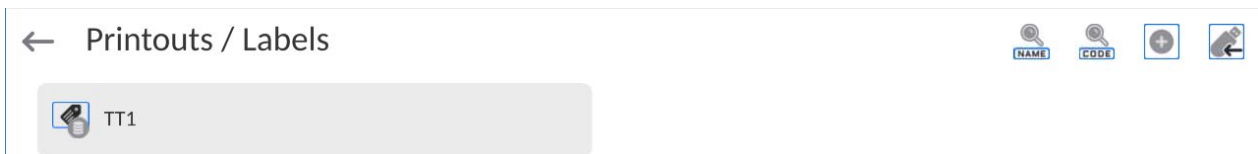
- Enter <Database> submenu and press <Printouts> field.
- Press <Add> key if a new printout is to be added.
- If the non-standard printout already exists, press the relevant name field and enter identification data.

**Note:** *You can search by name or code.*

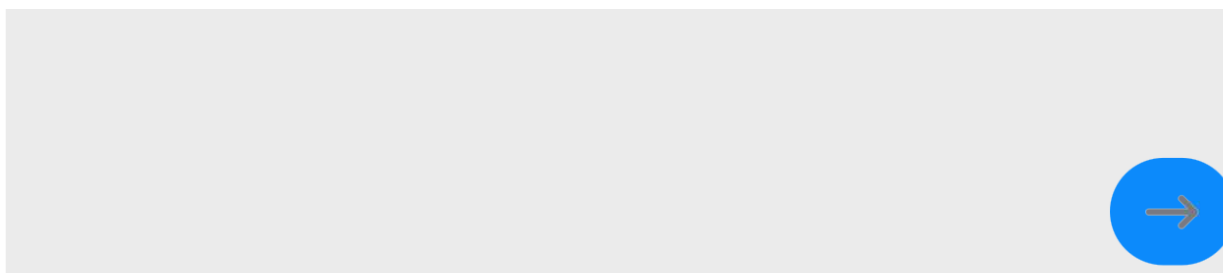
#### How to design a new printout.

**Procedure:**

- Enter <Databases> submenu and press <Printouts> field.
- Press <Add> key and create a new printout or edit the existing one.



- In <Record edition> field, press <Template> key.
- A window allowing you to create any printout will be showed.
- While creating a printout, you can use an external USB keypad connected to the head, or a touch keypad that offers the same functions as a typical PC keyboard.



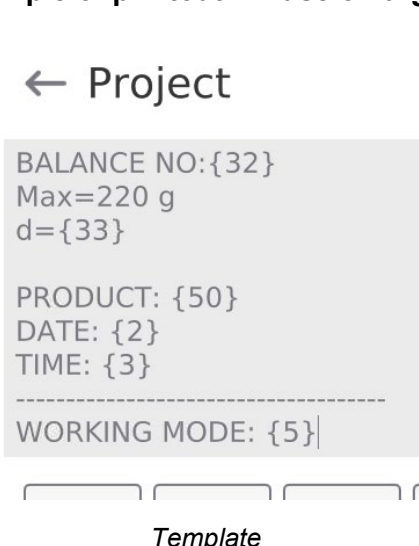
The displayed keypad does not provide some characters, such as colon or diacritical marks typical of the specific menu language (menu language is signalled with a description on „SPACE” key). To use such marks in the designed printout, **press and hold** a specific letter on the keypad **for a while**. This way you will display additional keys with assigned marks which when clicked can be added into the text. After you have entered the mark, press the key with „X” mark to disable displayed marks.

The example of marks for the Polish keypad.

Letter on the keyboard	Additional characters	Letter on the keyboard	Additional characters	Letter on the keyboard	Additional characters
„t”	€ ✕ t y	„u”	μ ✕ u i	„a”	~ ✕ a s
„x”	’ ✕ x c	„c”	\   ✕ c v	„v”	[ { ✕ v b
„b”	] } ✕ b n i	”	: < = ✕ , .	”	; > ✕ . ↵

- Save the printout you have created.

### The example of printout 1 – use of large edition field



Mass comparator no. 400015  
 Parameters:  
 Max = 220 g  
 d= 0.001 g


Product name:  
 Date: 2011.10.24  
 Time: 11:48:06  
 -----  
 Working mode: Weighing  
 -----  
 Net mass: 94.147  
  
 Measured by: Admin





Template printout

### The example of printout 2 – printout from file

All printout templates can be executed as external files that can be imported to the mass comparator. Such a file must come in \*.txt or \*.lb format and contain all fixed and variable information. The content of such a file can be modified, if imported.

#### Procedure:

- create a \*.txt or \*.lb file in any editor,
- copy this file to the external USB memory stick,
- insert the USB memory stick into the mass comparator port,
- press [4] <  download printout from file> key,
- the content of USB memory stick will be displayed in the screen,
- find the printout file and press its name,
- the printout will be instantly copied into the edition box.

	<b><i>You can add printouts from the external memory by importing already configured texts, using a USB port.</i></b>
	<b><i>The name of the printout does not represent the content of printout.</i></b>
	<b><i>The list of variables intended for printouts can be accessed in „ATTACHMENTS 03” manual.</i></b>
	<b><i>The example of creating and sending the label template to the mass comparator memory can be accessed in the „ATTACHMENT 03” manual.</i></b>

## 13.11. Universal variables

Universal variables are alphanumerical information that can be related to printouts, product or other information concerning comparison. For each variable, enter the name, code and value.

### Procedure:

- Enter <Databases> submenu and press <Universal variables> field.
- Press <Add> key if a new variable is to be added.
- If the variable already exists, press the relevant name field and modify the following fields: code, name, value.


### Note:

You can search by name or code.

## 13.12. Database management

Function allowing to manage databases data. It comprises three options: Export weighing database, Delete databases and Delete weighings and reports.

← Manage the database


 Delete databases

### 13.12.1. Delete Databases

Function allows you to delete data of selected database. Upon function activation, window for selecting a database data of which is to be deleted is displayed.

← Delete databases


 Products

 Customers

 Formulations

 Pipettes


 Series

 Packaging

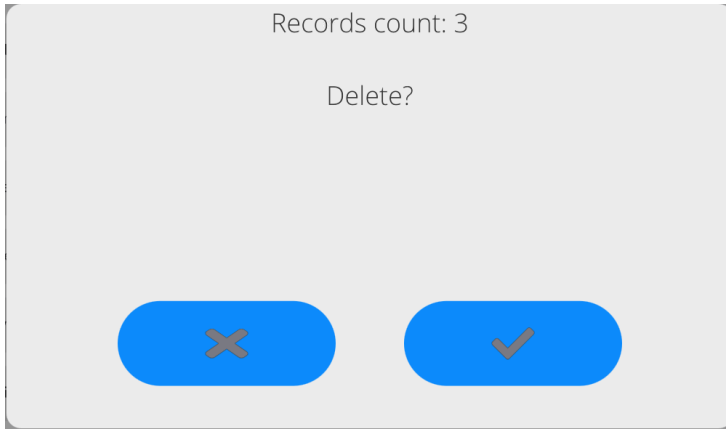
 Warehouses

 Printouts / Labels

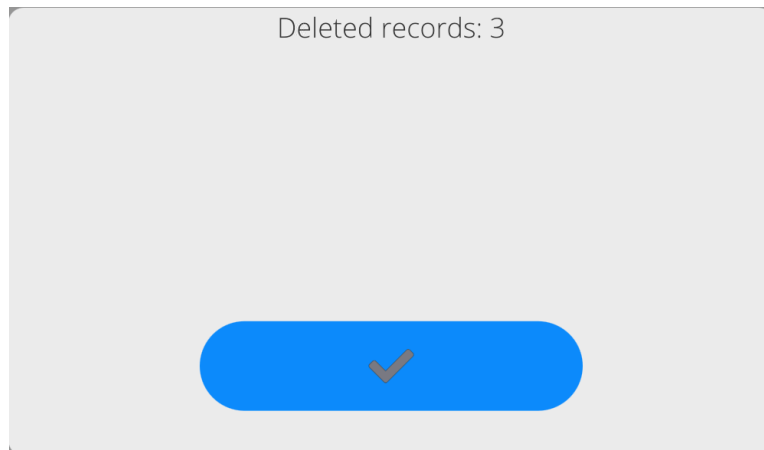
 Universal variables

 Operators

 Profiles



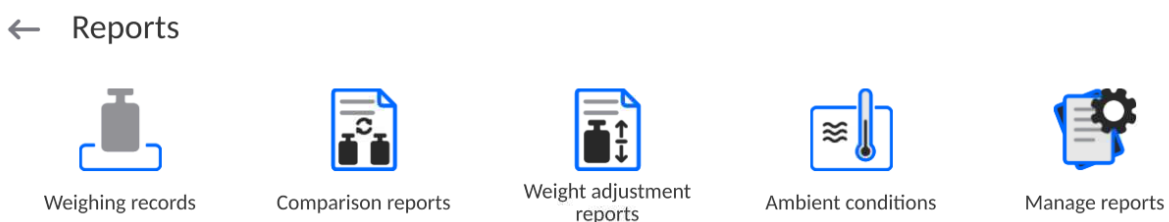
Upon confirmation, data is deleted and the following message is displayed:



Upon confirmation the software returns to a previous window; you may continue a weighing procedure or proceed to other operations.

## 14. REPORTS

In the reports menu, you can find all result bases in which measurements and reports on measuring processes are saved.

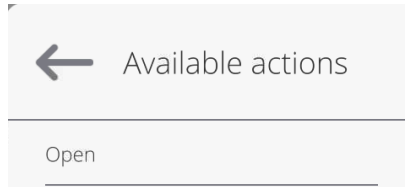


### 14.1. Operations in databases

**The operations in the reports base** are available only to the authorised operator. To edit the databases, follow the steps below:

- Press and hold the base icon field.
- A menu related to this item will be displayed.
- Select one of the available options (available options depend on the type of base you choose).





Selection of items:

- OPEN – this item allows you to enter the specific database (identical to single click of the base field).

After entering the specific database, you can perform the following operations (depending on the type of base):

1. Search item in database by name.
2. Search item in database by code.
3. Search item in database by date.
4. Export data from database to USB memory stick.
5. Print information on record in database.

The aforesaid operations can be initiated through keys in the top right corner of the screen. Follow the messages displayed in the screen.

## 14.2. Weighing records

Every weighing result sent from the mass comparator to the printer or computer is saved in the weighing database (see: exception in point - result control). You can preview data for particular weighing records.

**Procedure:**

- Enter **<Reports>** submenu.
- Enter **<Weighing records/Alibii>** submenu and press the desired item.

**The list of information in database for the weighing record:**

1. Weighing date.
2. Weighing result.
3. Tare value.
4. Specification if the measurement was stable.
5. Specification if the air buoyancy control option was enabled
6. Product name.
7. Operator.
8. Client, business partner's name.
9. Working mode name.
10. Warehouse, source warehouse name.
11. Packaging, name of tare used while weighing a product.
12. Result control, information on the field which the result was in:  
MIN – below threshold (possible only when **<Result control –NO>**),  
OK – between thresholds,  
MAX – above thresholds (possible only when **<Result control –NO>**).
13. Platform number, the field shows the number of the platform which the weighing was made on.
14. Levelling, shows if the level was maintained during measurement.
15. Environmental conditions alerts show if the temperature and humidity were stable during measurement.

### 14.3. Comparison reports

The comparison reports database contains information on completed weight comparison procedures. For each report, you can preview, search by date, export and print out.

**Procedure:**

- Enter <Databases> submenu and press <Comparison reports> field.
- Press the relevant name field.

**The list of information in the comparison report:**

1. Order number
2. Start date
3. End date
4. Operator
5. Diameter
6. Standard deviation
7. Number of cycles
8. Reference weight
9. Test weight number
10. Task
11. Method

### 14.4. Weight adjustment reports

The weight adjustment report database contains information on completed weight adjustments. For each report you can preview, search by date, export and print out.

**Procedure:**

- Enter <Databases> submenu and press <Comparison reports> field.
- Press the relevant name field.

**The list of information in the comparison report:**

1. Order number
2. Start date
3. End date
4. Operator
5. Diameter
6. Standard deviation
7. Number of cycles
8. Reference weight
9. Test weight number
10. Task
11. Method

### 14.5. Ambient conditions

It contains information related to ambient parameters. Depending on the configuration of the mass comparator, such a list may include temperature, humidity and atmospheric pressure. When a THB environmental module is connected to the mass comparator, the information on its readout will be recorded too.

**Procedure:**

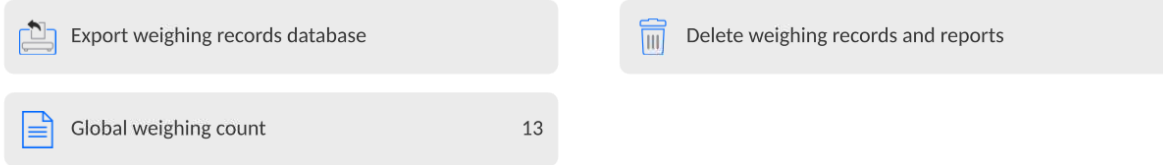
- Enter <Reports> submenu and press <Ambient conditions> field.
- Press the relevant port field. If it is invisible, scroll the list of reports using navigation keys.
- The name of the report consists of a date and time.

**Note:** You can use a report searching feature.

## 14.6. Manage reports

This function allows you to manage data in reports database. The following options are available: Export weighing database to file and Delete weighing records and reports.

### ← Manage reports



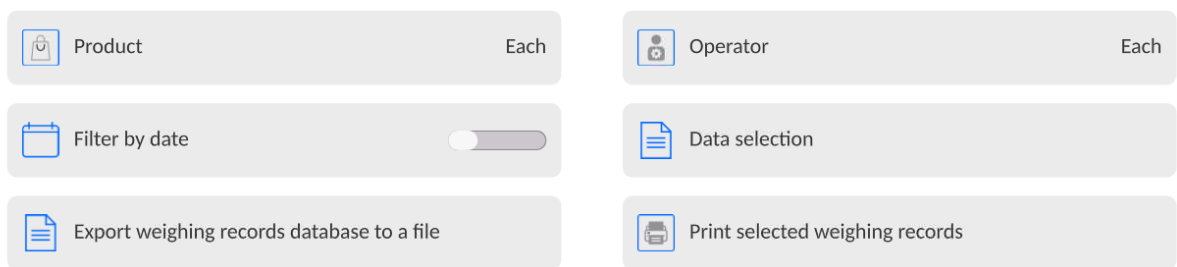
### 14.6.1. Export weighing database to file

All weighing records are saved in the weighing database. This information can be exported to the file using a pendrive memory stick.

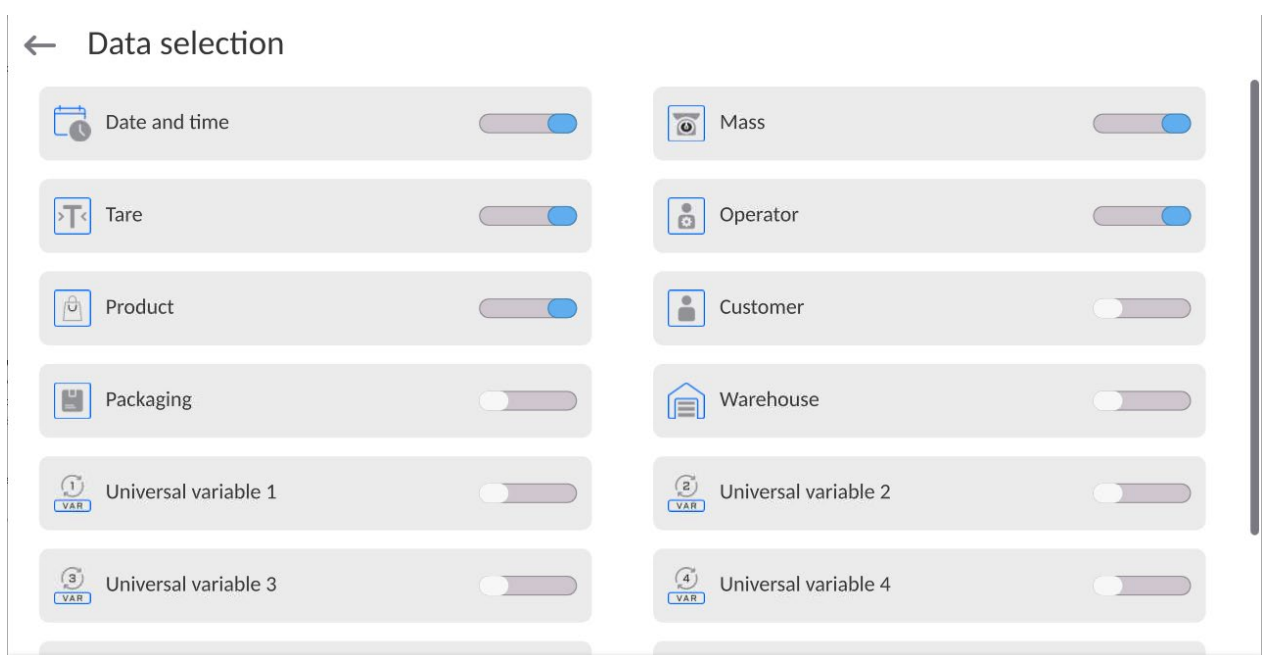
#### Procedure:

- Insert the pendrive memory stick into the USB port of the mass comparator.
- Press <Export weighing database to file> field and you will go to another window in which you have to make exporting settings.

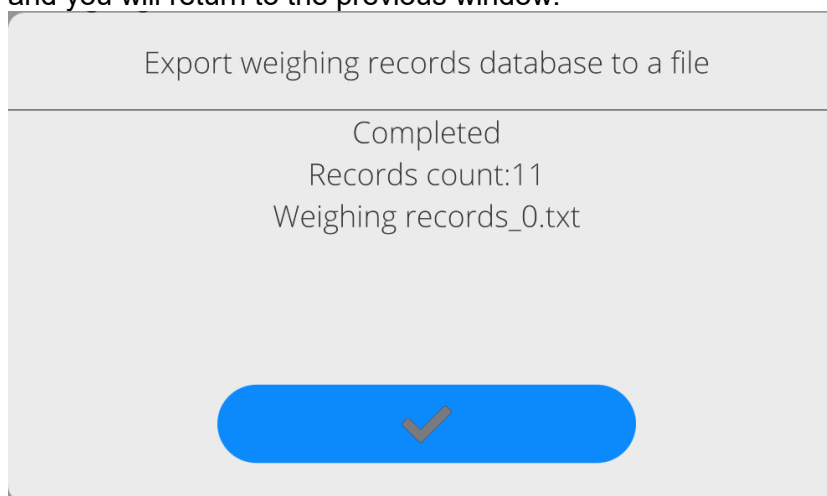
### ← Export weighing records database



In <Data selection> item, you can define measuring data that are to be exported.



- After setting this option, click <Export weighing database to file> field and the program will start exporting the weighing database instantly.
- Once the exporting procedure is finished, <Done> message will be displayed together with the information on the number of data exported and file name (with \*.txt extension), and you will return to the previous window.



- You can return to weighing or go to further menu settings.

**Note:** *If the mass comparator cannot recognise the pendrive memory stick, the following message <Operation error> will be displayed after entering <Export weighing database to file> item.*

- The name of the file consists of the database name and mass comparator factory number, e.g. <Weighing records\_364080.txt>.
- Disconnect the pendrive memory stick from the USB port.

#### **File template:**

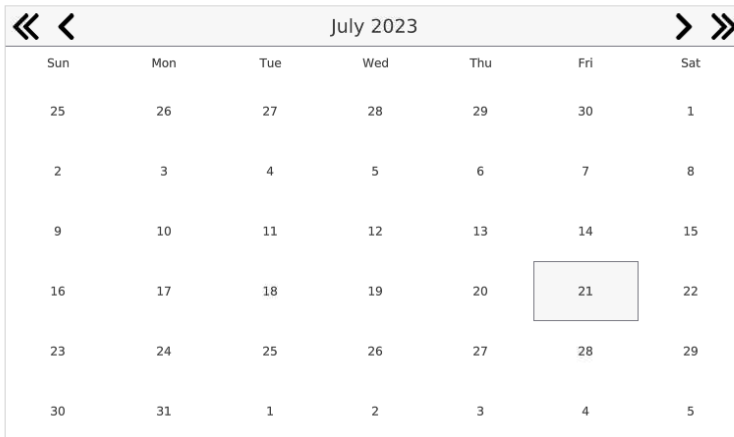
The file template takes a form of a table whose columns are separated with <Tab> mark in order to directly export the file into the <Excel> sheet, if necessary. The table contains all information on weighing, such as date and time, mass and mass unit, tare and tare unit, series number, operator's name, business partner's name, packaging name, source warehouse name, target warehouse name, result control name.

#### **14.6.2. Delete weighing records and reports**

This field is used to clear the content of database of weighing records and reports. After running the function, a numerical keypad box is displayed. In the box, enter the limit date. This date specifies when the data older than the date entered are to be deleted. Enter year, month, day.

← Delete older than

21.07.2023



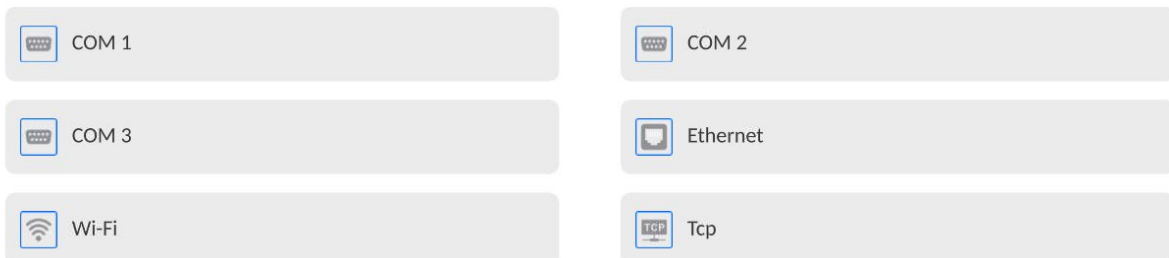
Once you have confirmed the date, all weighing records and reports collected in the specific period of time will be deleted. The quantity of deleted data will be showed.

## 15. COMMUNICATION

The Communication menu is included in the Parameters menu. To gain access to this menu, press <Setup> key or icon.

The mass comparator can communicate with an external device through the following ports:

← Communication

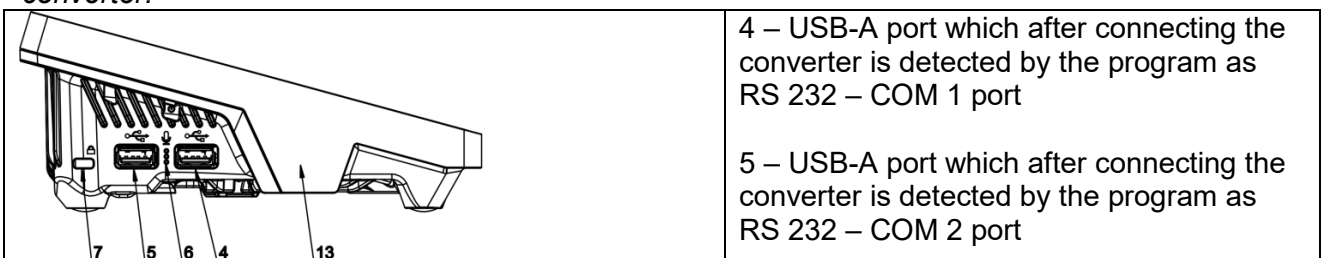


The parameters of each of the ports can be configured as required.

The meter allows connecting the IM02 communication module. The IM02 communication module in its standard design expands the range of interfaces to include RS 232 IM02, Virtual COM, 4WE/4WY.

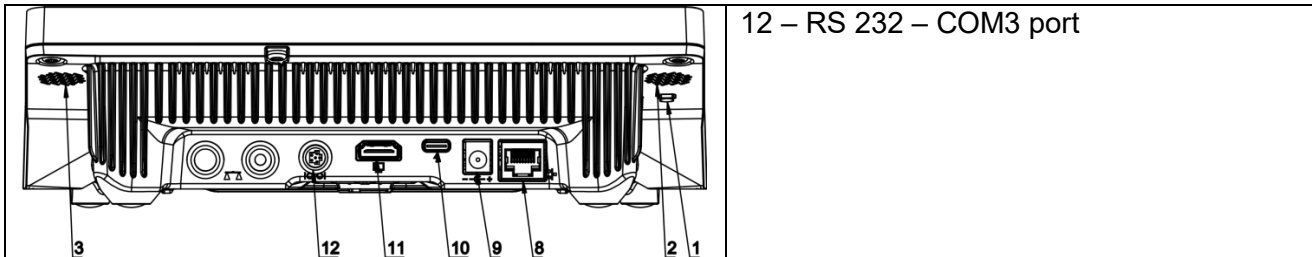
### 15.1. RS 232 settings

**NOTE:** to assure correct cooperation with external devices using RS 232 ports, use a USB-to-RS232 converter.



4 – USB-A port which after connecting the converter is detected by the program as RS 232 – COM 1 port

5 – USB-A port which after connecting the converter is detected by the program as RS 232 – COM 2 port



**Procedure:**

- Select <COM1>, <COM2> or <COM3> communication port.
- Set relevant values.

For RS 232 port settings, the program offers the following transmission parameters:

- Baud rate: 4800, 9600, 19200, 38400, 57600, 115200 bit/s, 921600 bit/s\*
- Data bits: 5, 6, 7, 8
- Stop bits: None, 1, 1.5, 2
- Parity: None, Odd, Even, Marker, Distance

\*) - The rate of 921600 bit/s applies only to COM3 port and cooperation with MediaBox IM02 communication module.

### 15.2. ETHERNET settings

**Procedure:**

- Select <Ethernet> communication port and then set relevant values:
- DHCP: Yes – No
- IP address: 192.168.0.2
- Subnet mask: 255.255.255.0
- Default gate: 192.168.0.1

**Note:** The above-stated settings are for reference only. The transmission parameters must be selected in accordance with client’s local network settings.

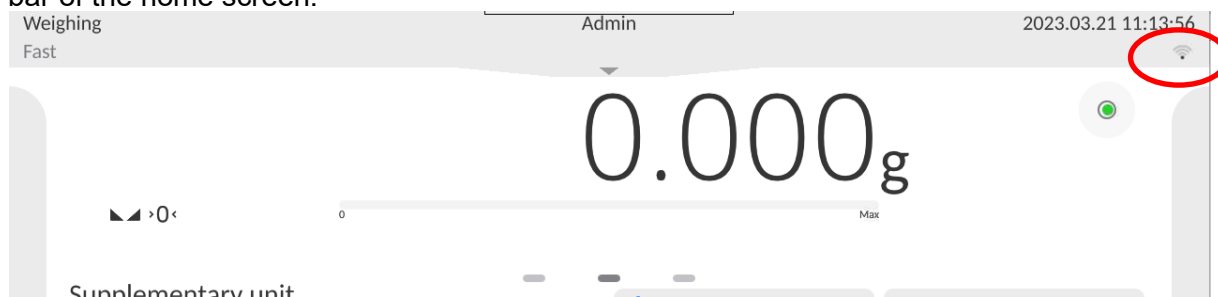
After making changes, press  key to display a message:

<Restart mass comparator to implement changes>.

Return to the weighing mode and restart the device.

### 15.3. Wi-Fi settings

If the mass comparator is equipped with a Wi-Fi module, a special icon will be displayed in the top bar of the home screen.



## Procedure:

- Select <Wifi> communication port and then set relevant values:
- DHCP: Yes – No
- IP address: 10.10.9.155
- Subnet mask: 255.255.255.0
- Default gate: 10.10.8.244

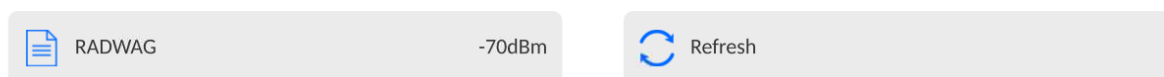
**Note:** The above-stated settings are for reference only. The transmission parameters must be selected in accordance with client's local network settings.

After making changes, press  key to display the message:  
<Restart the mass comparator to implement changes>.

Return to the weighing mode and restart the device.

Additionally you can check <Available networks> detected by the mass comparator:

← Available networks



The icon by the name of the network informs you if the network requires a password (icon with a lock). To find available networks, select <Refresh> item.

To check parameters of the specific network, click <Network status> field and network parameters will be displayed in the box:

← Network status



The selected network and connection parameters are remembered by the program and called every time you activate the program and connect to the network. To disable this function, select <Forget network> item. It will terminate the connection to the specific network.

### 15.3.1. General information on Hot Spot service

Hot Spot – an open access point that allows wireless connection to the mass comparator with the use of other device – e.g. laptop, tablet or mobile phone – on the basis of the Wi-fi network.

The hot spot owner decides how, to whom and on what terms to share his connection via login which requires a unique operator's name and password (these data are assigned while activating the service and stored in the device memory).

## 15.3.2. Activation of Hot Spot service

### 1. Enter Wi-Fi options

← Wi-Fi

<input type="checkbox"/> Hot Spot	<input type="checkbox"/> DHCP
<input type="checkbox"/> IP address 10.10.3.67	<input type="checkbox"/> Subnet mask 255.255.0.0
<input type="checkbox"/> Default gateway 10.10.254.254	<input type="checkbox"/> DNS server 127.0.0.1
<input type="checkbox"/> MAC address E4-5F-01-E5-41-E9	<input type="checkbox"/> Network status
<input type="checkbox"/> Available networks	<input type="checkbox"/> Screen Link

### 2. Enable Hot Spot service and the mass comparator will enter service settings.

← Wi-Fi

<input checked="" type="checkbox"/> Hot Spot	<input type="checkbox"/> Name PUE10-2a45a2e9
<input type="checkbox"/> Password *****	<input type="checkbox"/> Link by QR code
<input type="checkbox"/> IP address 192.168.4.1	<input type="checkbox"/> Subnet mask 255.255.255.0
<input type="checkbox"/> Default gateway 0.0.0.0	<input type="checkbox"/> DNS server 127.0.0.1
<input type="checkbox"/> MAC address E4-5F-01-E5-41-E9	<input type="checkbox"/> Screen Link

### 3. Enter a unique name and password (the password must be at least 8 characters long).

← Name

ELIPSIS1234

→

q	w	e	r	t	y	u	i	o	p	⌫
a	s	d	f	g	h	j	k	l	↵	
⌄	z	x	c	v	b	n	m	,	.	⌆
↩	&123	English	⌘A	⌘						

Waiting for a service

Please wait



← New password

\*\*\*\*\*



← Repeat the new password

\*\*\*\*\*



Waiting for a service

Please wait

← Wi-Fi

Hot Spot

Password \*\*\*\*\*

IP address 192.168.4.1

Default gateway 0.0.0.0

MAC address E4-5F-01-E5-41-E9

Name ELIPSIS1234

Link by QR code

Subnet mask 255.255.255.0

DNS server 127.0.0.1


Screen Link

4. From now on, the Hot Spot service will be active and the subnet will be detected by other smartphone devices as the subnet under the aforesaid name, and it will be possible to connect to it via the password.

## 15.4. TCP settings

TCP (*Transmission Control Protocol*) is a communication protocol between two computers. TCP operates in the client-server mode. The server awaits the connection in the specific port, while the client initiates the connection to the server.

### How to set the port number for TCP:

- Enter <Communication> parameters group.
- Select <Tcp / Port> and you will see <Port> window with an on-screen keypad.
- Enter the desired port number and press  to confirm.

## 15.5. Virtual COM settings

*Applies to the active IM02 communication module*

The Virtual COM port is used to connect the mass comparator to the computer.


### The order of steps:

1. In <Peripherals / Computer / Port> submenu, set **Virtual COM**.
2. Run the computer program in which measurements will be read.
3. Set communication parameters in the program, i.e. COM port, transmission parameters.
4. Start cooperation.

## 16. PERIPHERALS

The PERIPHERALS menu is included in the parameters menu. To gain access to the menu, press <Setup> icon. The menu contains a list of devices that can cooperate with the mass comparator.

### 16.1. Computer

The active **mass comparator-computer** connection is signalled through  icon in the top bar of the home screen.

#### 16.1.1. Computer port

The mass comparator can communicate with the computer through the following ports: COM 1, COM 2, Tcp, USB Free Link\*, RS 232 IM02\*\*, Virtual COM\*\*.

#### Procedure:


- Enter <Peripherals / Computer / Port> submenu and select the desired port from the list.

\*) – Description of the port can be accessed in the COMMUNICATION point of the manual.

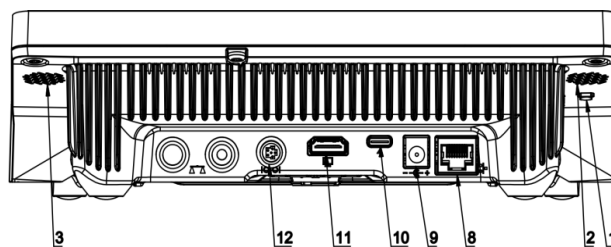
\*\*)- IM02 communication module port connected to the mass comparator.

#### 16.1.2. USB Free Link

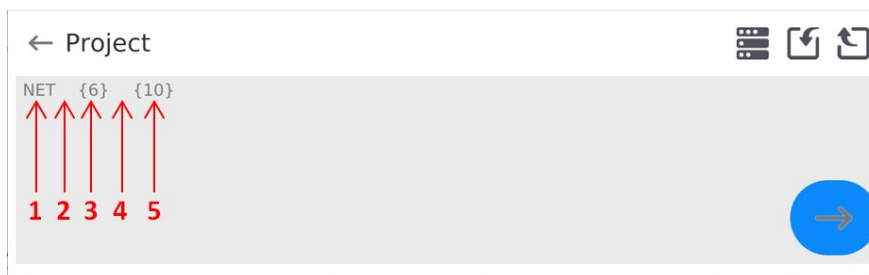
The tool used to enter data for peripherals that serve as keypads. Thanks to this, when you properly modify the standard or non-standard printout and send the suitable command from the computer or press the ENTER key on the keypad, the data in the non-standard printout will be directly entered from the mass comparator into such computer programs as Excel, Word, Notebook, etc.

To assure correct cooperation with Excel program, configure the non-standard printout by inserting printout formatting marks into the draft printout, for example Tab, Enter and diacritical marks typical of the language. Remember to set a correct decimal place mark (dot or comma) that will be accepted by our Excel program (see: < / Miscellaneous / Decimal point> submenu).

**USB Free Link** is a USB-C port (port no. 10 at the back of the readout head) that a computer is connected to via the USB-A/C cable.



The example of the printout template and final result in the Excel:




1	fixed text
2	tabulator (jump to next column)
3	variable {6}, net mass in adjustment unit
4	tabulator (jump to next column)
5	variable {10}, mass unit

	A	B	C	D	E	F	G
1							
2							
3				NETTO:	1,1235 g		
4				NETTO:	1,1455 g		
5				NETTO:	1,1258 g		
6				NETTO:	1,1325 g		

### 16.1.3. Computer address

Here you can set the address of the mass comparator that a computer is connected to.


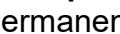
#### Procedure:

- Enter **<Peripherals / Computer / Address>** submenu and you will see **<Address>** window with an on-screen keypad.
- Enter the desired address and press  key to confirm changes.

### 16.1.4. Continuous transmission

Activation of balance-computer permanent transmission. After enabling **<Permanent transmission>** parameter, the content of **<Weighing Printout Template>** is continuously sent to the PC.

#### Procedure:

- Enter **<Devices / Computer / Permanent transmission>** submenu and set relevant value ( - Permanent transmission disabled;  - Permanent transmission enabled).

### 16.1.5. Interval

Setting the frequency of **<Weighing Printout Template>** printout for continuous transmission. The printout frequency is set in seconds, with an accuracy of 0.1 sec., in the range from 0.1 sec. to 1000 sec.

#### Procedure:

- Enter **<Peripherals / Computer / Interval>** and you will see **<Interval>** edition box. Enter the desired value and press  to confirm changes.

### 16.1.6. Weighing printout template

The customised printout template for printout from the mass comparator to the computer.

#### Procedure:

- Enter **<Peripherals / Computer / Weighing Printout Template>** submenu to open **<Weighing Printout Template>** edition box with an on-screen keypad.

Modify the template and press  to confirm changes.

### 16.2. Printer

The mass comparator operator can do the following in **<Printer>** submenu:

- set the printer communication port: COM 1, COM 2, USB, Tcp Client, USB Free Link\*, RS 232 IM02\*\*,
- define the printout code page (by default: 1250),
- define control codes for PCL6-supporting printer or receipt printer.
- define printout templates.

\*) – Description of the port is analogical to description of the computer port.

\*\*\*) - The IM02 communication module port connected to the mass comparator.



To assure correct cooperation between the mass comparator and printer (correct print of letters with diacritical marks for a specific interface language), select suitable baudrate in the device – the one that applies to the printer (see: Printer settings) and make sure the code page of the printout complies with the code page of the printer.

It is possible to make sure the code page is compliant in two ways:

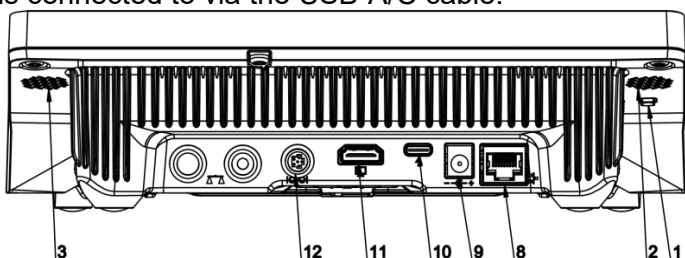
- by setting the suitable code page in the printer settings (see: Printer manual)
- by setting the same code page as the code page of the printout in the printer,

Code page	Language
1250	Polish, Czech, Hungarian
1252	English, German, Spanish, French, Italian.
1254	Turkish.

- by sending the control code from the mass comparator, and the aforesaid control code automatically sets the suitable code page of the printer before printout (identical to code page of the printout set in the mass comparator) before printing data from the mass comparator (only when the mass comparator allows so).

	<b><i>The default value of the printer code page is 1250 – Central-European code page.</i></b>
	<b><i>A detailed description of the communication between the mass comparator and receipt printer can be accessed in „ATTACHMENTS 03”. manual.</i></b>

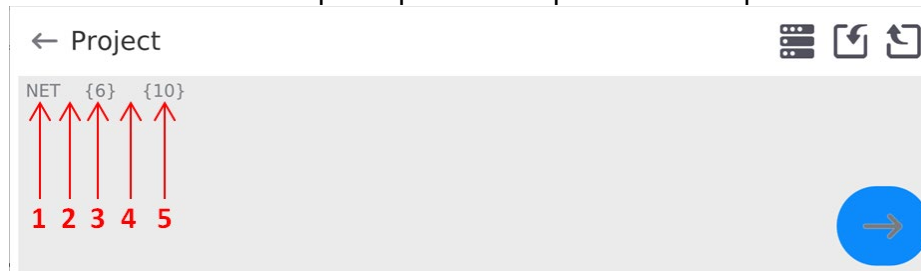
**USB FREE LINK** – USB-C port (port no. 10 at the back of the readout head) which the computer is connected to via the USB-A/C cable.



The tool used to enter data for peripherals that serve as keypads. Thanks to this, when you properly modify the standard or non-standard printout and send the suitable command from the computer or press the ENTER key on the keypad, the data in the non-standard printout will be directly entered from the mass comparator into such computer programs as Excel, Word, Notebook, etc.

To assure correct cooperation with Excel program, configure the non-standard printout by inserting printout formatting marks into the draft printout, for example Tab, Enter and diacritical marks typical of the language. Remember to set a correct decimal place mark (dot or comma) that will be accepted by our Excel program. It can be set in the following parameters: *Setup/Miscellaneous/Decimal separator*.

See below for the example of printout template and final printout in Excel:



1	fixed text
2	tabulator (jump to next column)
3	variable {6}, net mass in adjustment unit
4	tabulator (jump to next column)
5	variable {10}, mass unit

	A	B	C	D	E	F	G
1							
2							
3				NETTO:	1,1235 g		
4				NETTO:	1,1455 g		
5				NETTO:	1,1258 g		
6				NETTO:	1,1325 g		

***If you use Free Link to print big data, you have to switch <Receipt printer speed [marks/second]> parameter into 15.***

← Printer

Port COM 1

Code page 1250

Control codes

Receipt printer speed [character/second] 0

Printouts

The printout template describes how information from the database is to be printed out. If it is insufficient, modify it. To check if the template is correct, print product-related parameters, for instance. You can do so when you go to <Products/Product edition> database. Press the printer icon there.

### Default values for particular templates:

Product Printout Template:	{50}
	{51}
Operator Printout Template:	{75}
	{76}
Client Printout Template:	{85}
	{86}
Warehouse Printout Template:	{130}
	{131}
Packaging Printout Template:	{80}
	{81}
	{82}
Ambient Conditions Printout Template:	{275}
	IS T1: {278} °C
	IS T2: {279} °C
	THB T: {276} °C
	THB H: {277} %

## 16.3. Barcode scanner

The mass comparator can cooperate with a barcode scanner. The scanner can be used to quickly search for the following:

- Products,
- Operators,
- Clients
- Packaging,
- Warehouses,
- Formulas,
- Pipettes
- Series in differential weighing
- Universal variables



*In <Communication> submenu, set the baudrate in accordance with the barcode scanner (by default: 9600b/s). A detailed description of communication between the mass comparator and barcode scanner can be accessed in the „ATTACHMENTS 03” manual.*

To configure the barcode scanner, go to the submenu:  
„**Setup / Peripherals / Barcode Scanner**”.

### 16.3.1. Barcode scanner port

#### **Procedure:**

- Enter <**Peripherals**> parameters group and select „**Barcode Scanner / Port**”, and then set relevant options.

The mass comparator can communicate with the scanner through the port:



- USB

### 16.3.2. Prefix / Suffix

You can edit <Prefix> value and <Suffix> value in order to synchronise the device with the barcode scanner.

**Note:** In the standard adopted by RADWAG, a prefix is a mark (byte) 01 hexadecimally and suffix is a mark (byte) 0D hexadecimally. A detailed description of communication between the mass comparator and barcode scanners can be found in **ATTACHMENT E** to the manual.

**Procedure:**

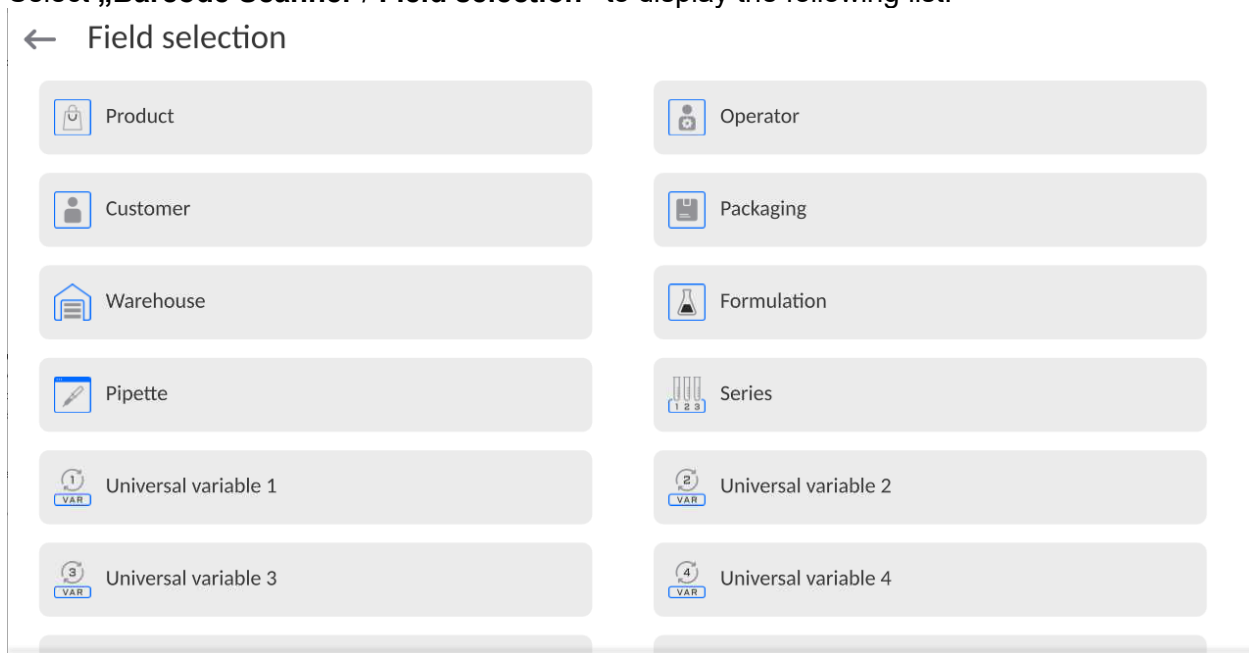
- Enter <Barcode Scanner> submenu,
- Enter <Prefix> parameter and use an on-screen keypad to enter the desired value (hexadecimally), and then press  key to confirm changes.
- Enter <Suffix> parameter and use an on-screen keypad to enter the desired value (hexadecimally) and then press  key to confirm changes.

### 16.3.3. Field selection

You can configure the field selection in particular databases which searching is to be based on.

**Procedure:**

- Enter <Peripherals> parameters group,
- Select „Barcode Scanner / Field selection” to display the following list:



- Enter the desired item to edit the following parameters:

<b>Filtering</b>	Declare the item which searching is to be based on (see table below)
<b>Offset</b>	Set the first significant code character which searching is to start from. All preceding characters are ignored
<b>Code length</b>	Set the number of code characters taken into account while searching
<b>Start marker</b>	Declare the starting point of the code to be taken into account while searching
<b>End marker</b>	Declare the ending point of the code to be taken into account while searching
<b>Skip marker</b>	Declare if code start and end markers are to be considered or ignored when comparing the code read with the code in the mass comparator.



The list of filtering items depending on the field selection:

Field selection	Filtering
Product	None, Name, Code, EAN code,
Operator	None, Name, Code
Client	None, Name, Code
Packaging	None, Name, Code
Warehouse	None, Name, Code
Formula	None, Name, Code
Pipette	None, Name, Code
Series	None, Name, Code
Universal variables	None, Active

### 16.3.4.Test

You can use **<Test>** function to check correct operation of the barcode scanner connected to the mass comparator.

#### Procedure:

- Enter **<Barcode Scanner>** submenu,
- Enter **<Test>** parameter to open **<Test>** window with ASCII and HEX fields,
- Scan the code to make it enter ASCII field and HEX field. The test result will be displayed in the lower part of the screen.

#### When:

- **<Prefix>** and **<Suffix>** declared in the mass comparator settings comply with **<Prefix>** and **<Suffix>** in the scanned code, the test result will be **<Positive>**,
- **<Prefix>** and **<Suffix>** declared in the mass comparator settings do not comply with **<Prefix>** and **<Suffix>** in the scanned code, the test result will be **<Negative>**.

## 16.4. Environmental module

It is possible to connect the THB environmental module to the mass comparator using UDP or USB ports. To assure proper cooperation, select the suitable environmental module connection port.



## 16.5. IM02 communication module

The IM02 communication module allows the mass comparator to cooperate with such accessories as printers, control keys, lights, buzzers, PLC controllers and other control-signalling devices, as well as PCs.



***The procedure of connecting the IM02 communication module to the power network and mass comparator has been presented in great detail in „IM02 communication module” manual.***

### 16.5.1. Activation of connection between IM02 and mass comparator

- Connect IOIOI connector of the IM02 communication module to COM 3 (IOIOI) connector of the mass comparator using a dedicated PT0454 cable.
- Enter **<Peripherals / IM02 communication module / Active>** submenu and activate the IM02 communication module (  - module enabled,  - module disabled).
- When the IM02 communication module has connected to the mass comparator, the following information will be displayed:

<b>Status</b>	Active connection status with the following values: Connected, Not connected.
---------------	---

<b>Program version</b>	IM02 communication module software version.
<b>Manufacture version</b>	IM02 communication module manufacture version.

- At the same time, the mass comparator menu will be extended to include **<Inputs/Outputs>** submenu and a list of available communication ports in **<Communication>** submenu.

## 17. INPUTS / OUTPUTS


*Applies to the active IM02 communication module*

The device can support **4 inputs / 4 outputs** by connecting to the IM02 communication module.

Access path: <  / **Inputs/Outputs**>.

### 17.1. Input configuration

- Enter **<Inputs / Outputs>** submenu.
- Select **<Inputs>** item to display a list of available inputs.
- Start editing the desired input. You will see a list of functions to be assigned. The list of functions is analogical to the list of key functions for a specific mode.
- Select the desired function from the list and return to the home screen.

	<b><i>For factory settings, functions of all inputs are supplied with &lt;None&gt; item.</i></b>
---	--

### 17.2. Output configuration


When you assign a function to the specific output, you also activate it. If the output has not been assigned any function, it remains inactive.

#### Procedure:

- Enter **<Inputs / Outputs>** submenu.
- Select **<Outputs>** item to display a list of available outputs.
- Start editing the desired output. You will see a list of functions to be assigned:

<b>None</b>	Output is inactive
<b>Stable</b>	Stable weighing result above LO mass.
<b>MIN stable</b>	Stable weighing result below MIN threshold
<b>MIN unstable</b>	Unstable weighing result below MIN threshold
<b>OK stable</b>	Stable weighing result between MIN and MAX thresholds
<b>OK unstable</b>	Unstable weighing result between MIN and MAX thresholds
<b>MAX stable</b>	Stable weighing result above MAX threshold
<b>MAX unstable</b>	Unstable weighing result above MAX threshold
<b>! OK stable</b>	Stable weighing result out of OK threshold
<b>! OK unstable</b>	Unstable weighing result out of OK threshold
<b>MIN</b>	MIN threshold signalling
<b>OK</b>	OK threshold signalling
<b>MAX</b>	MAX threshold signalling
<b>! OK</b>	Out-of-OK threshold weighing result signalling
<b>Zero</b>	Zero weighing result (zero indicator).

- Select the desired function from the list and return to the home screen.

	<b><i>For factory settings, functions of all output are supplied with &lt;None&gt; item</i></b>
---	---

## 18. MISCELLANEOUS

This menu contains global information on operation of the mass comparator, such as language, date – time, acoustic signal, screen calibration, level control. To enter <Miscellaneous> submenu, press the Setup key and then <Miscellaneous> key.

### 18.1. Interface language selection

#### Procedure:

Enter <Miscellaneous> submenu, select <Language> item and choose the mass comparator communication interface language.

Available languages: Polish, English, German, French, Spanish, Korean, Turkish, Chinese, Italian, Czech, Romanian, Hungarian, Russian, Serbian.

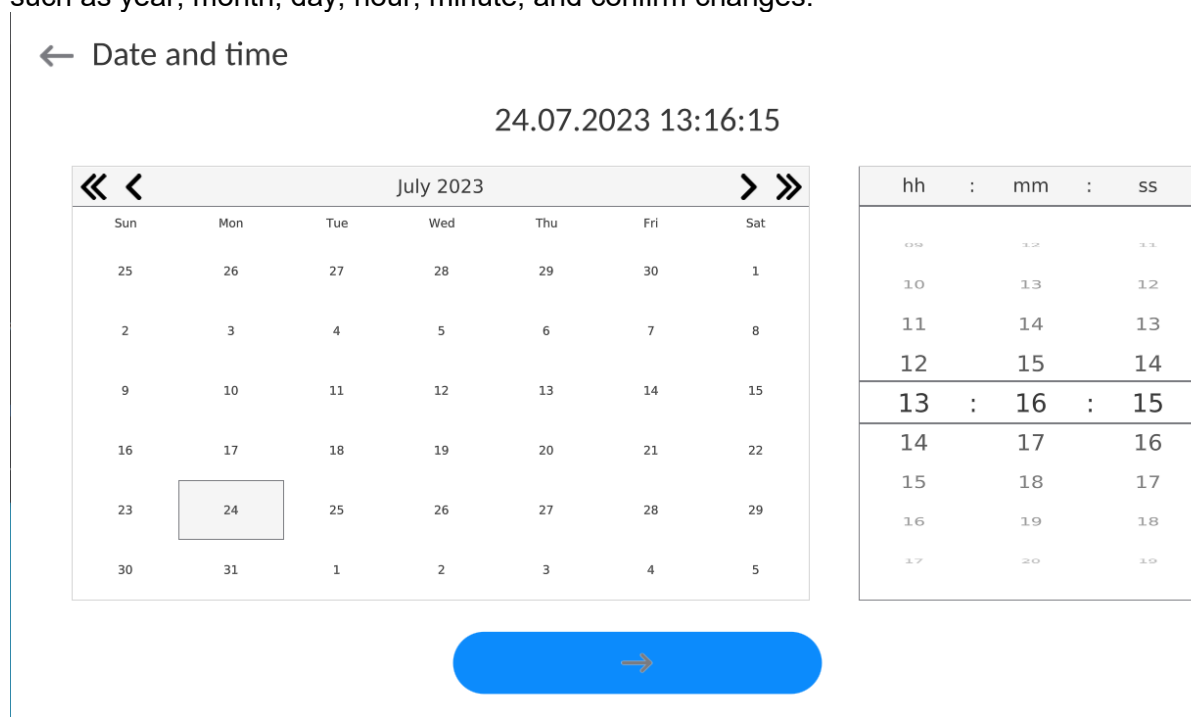
### 18.2. Date and time setting

You can set the date and time as well as select the display format and data printout.

You can start editing the date and time in two ways:

- click <Date and time> field in the top bar of the home screen,
- enter: <Setup / Miscellaneous/ Date and Time> submenu.

When you enter date and time setting box, you will see an on-screen keypad. Set relevant values, such as year, month, day, hour, minute, and confirm changes.



The submenu: <Setup / Miscellaneous/ Date and Time> contains additional functions used to define the date and time format:

Name	Value	Description
Time zone	Europe, Warsaw	This parameter shows: zone name/country. The specific name of the zone/country is associated with the information whether the winter time changes into summer time (and the other way round), and specific day of the year which the change takes place on.
Date and time	2016.04.04 08:00:00	Here you can set the date and time for the internal clock in the mass comparator

Date format	yyyy.MM.dd *	Date format selection. Available values: d.M.yy, d/M/yy, d.M.yyyy, dd.MM.yy, dd/MM/yy, dd-MM-yy, dd.MM.yyyy, dd/MM/yyyy, dd-MMM-yy, dd.MMM.yyyy, M/d/yy, M/d/yyyy, MM/dd/yy, MM/dd/yyyy, yy-M-dd, yy/MM/dd, yy-MM-dd, yyyy-M-dd, yyyy.MM.dd, yyyy-MM-dd.
Time format	HH:mm:ss **	Time format selection. Available values: H.mm.ss, H:mm:ss, H-mm-ss, HH.mm.ss, HH:mm:ss, HH-mm-ss, H.mm.ss tt, H:mm:ss tt, H-mm-ss tt, HH.mm.ss tt, HH:mm:ss tt, HH-mm-ss tt, h.mm.ss tt, h:mm:ss tt, h-mm-ss tt, hh.mm.ss tt, hh:mm:ss tt, hh-mm-ss tt
Hide time	No	Enable/disable date and time visibility in the home screen.
Internet time	Yes	If the mass comparator is connected to the Internet, this option allows you to update the time and date from the web.
Synchronised with Internet	Yes	This parameter informs you about whether time and date in the device have been synchronised with data from the Internet.

\*) - For date format: y – year, M – month, d – day

\*\*\*) - For time format: H – hour, m – minute, s – second

Preview of date and time with special regard to declared formats is visible in <Date and Time> field.

### ← Date and time

**Note:** To gain access to <Date and Time> parameters, you need to have relevant permission level. The permission level can be modified by the administrator in <Permission levels> menu.

## 18.3. Extension module

This item allows you to activate device compliance for FDA 21 CFR procedures, and to extend the communication protocol and deactivate the standard license of the device (the so-called demo comparator).

To activate it, you need to know the license number for particular options. To obtain this number, please contact the device manufacturer.

**Procedure:**

Enter <Miscellaneous> submenu, select <Extension module> parameter and follow messages in the screen.


### 18.4. Sound

**Procedure:**

Enter <Miscellaneous> submenu, select <Sound> parameter and set as desired:

- |                       |              |
|-----------------------|--------------|
| Result approval sound | – Yes/No     |
| Touch screen sound    | – Yes/No     |
| Sensors               | – Yes/No     |
| Volume                | – up to 100% |

### 18.5. Visual result approval

This item allows you to visually confirm the measurement record in the weighing database. After setting the item into <  >, every saved measurement will be communicated to the operator through a temporary mass display in blue.



### 18.6. Screen saving

You can initiate the screensaving procedure.

To do so:

Press the Setup key and then: <Miscellaneous/Screensaving>.

When you start editing it, select of the values: [None; 1; 2; 3; 5; 10; 15]. Numerical values are set in minutes. When you click one of the values, you automatically select it and return to the previous menu.

**Note:**

*The screen is saved only when the mass comparator is not used (no changes to mass value in the screen). When the screen is saved, you return to the weighing mode automatically when the program can detect any changes to the mass or when you press the screen or key on the housing.*

### 18.7. Display brightness

The display brightness determines how long the mass comparator can operate on a battery. If you wish to prolong the cycle between subsequent battery charging procedures as much as possible, lower the brightness.

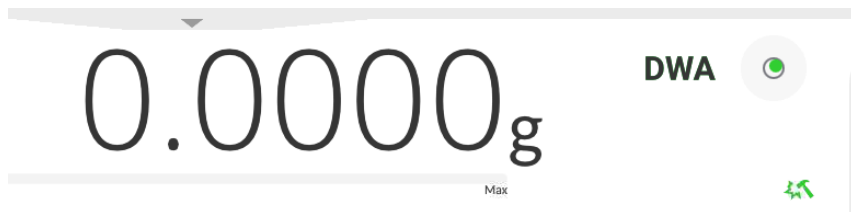
To do so:


Press the Setup key and then: <Miscellaneous/Display brightness>.

When you start editing, enter the value in the following range: [0% - 100%]. Once you have entered the value, you instantly change the display brightness and return to the previous menu.

### 18.8. Vibration detection

The mass comparator program allows you to detect wrong placement of the sample on the weighing pan that may contribute to erroneous measurements. Activation of this function is signalled with a relevant icon in the mass display.



If the program can detect improper placement of the sample, the icon will turn red . This means that your result can be subject to a more substantial error.

**Procedure:**

- Enter <Miscellaneous> submenu.
- Select <Vibration detection> parameter,
- Select either of the following:
  - Yes – function enabled
  - No – function disabled

**18.9. Level control**

The mass comparator is equipped with the Automatic Level Control mechanism. With regard to non-verified devices, you can define its method of operation. With regard to verified equivalents, settings remain invisible and follow the factory preset values, that is <Active with lock>, weighing is possible only when the device is levelled.

**Procedure:**

- Enter <Miscellaneous> submenu.
- Select <Level control> parameter and an edition box will pop up.
- Select any of the following variants:
  - None – level indicator is not displayed, level is not controlled,
  - Active – level indicator is displayed, level change is showed through colours (green  level is OK, red  level is lost),
  - Active with lock – level indicator is displayed, level change is showed through colours (green  level is OK, red  level is lost; when the indicator is red, the message – no Level – is displayed, weighing is not possible)

**Note:** *The levelling method has been described in point 13.3 of the manual.*

**18.10. Decimal point**

This parameter allows you to select the decimal point for mass printout.

**Procedure:**

- Enter <Miscellaneous> submenu.
- Select <Decimal point> parameter and you will see an edition box.
- Select either of the following variants:
  - Dot
  - Comma

When you select the value, you will return to the submenu box.

**18.11. Sensors sensitivity**

In this parameter, you can choose the value from 0 to 9 to determine the distance at which sensors are going to react. By default this value ranges from 5 to 7.

### Procedure:

- Enter <Miscellaneous> submenu.
- Select <Sensors sensitivity> parameter and you will see an edition box.
- Select one of the values. Select to return to the menu window.

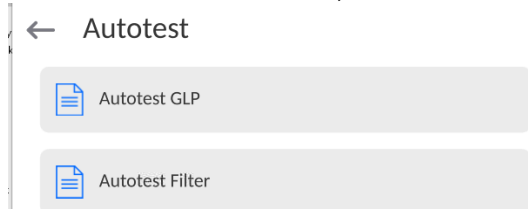
## 18.12. Autotest

<AUTOTEST> function has been created to support the operator in the process of assessing work and diagnosing causes of weighing errors, exceeding permissible values for this kind of mass comparator.

AUTOTEST can simply let you optimise mass comparator settings on a regular basis in order to obtain the best repeatability performance and weighing time in the specific working conditions. Thanks to this function, you can also check the above-stated parameters at any time, and archive completed tests.

The function is divided into two modules:  
AUTOTEST FILTER; AUTOTEST GLP.

Before each test is carried out, the device checks the levelling, temperature and humidity.



### AUTOTEST FILTER

In this procedure, the external weighing is placed and removed 10 times for all possible filter settings and result approval when 2 parameters are checked: Repeatability and Weighing result stabilisation time.

The entire test takes about 1 hour. Once it is finished, the results are displayed for all possible settings.

You are notified of optimal settings for a specific working conditions of the device.

This function proves very useful and allows you to assure top precision of weighing and the shortest weighing time at the acceptable repeatability value.

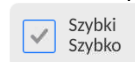
The results are remembered by the mass comparator until it is turned off.

This function allows printout via printers available in the system and quick selection of the most optimal settings directly in the options level.

After the end of the autotest, the summary and results are displayed.

The program automatically selects filter settings by displaying a suitable icon by results:

- settings which the fastest measurement has been obtained for (shortest measuring time).
- settings which the most precise measurement has been obtained for (smallest deviation for 10 measurements)
- settings which the optimal measurement has been obtained for (the lowest product of time and deviation).



- current filter settings.

Measurement results:

- \*Filter type.
- \*Value of <Result approval> parameter.
- \*Value of indication repeatability expressed as standard deviation.
- \*Average result stabilisation time.

*The example of the result window view below:*

← Autotest Filter



<input type="checkbox"/> Very fast Fast	<input type="checkbox"/>	<input type="checkbox"/> Very fast Fast and reliable	<input type="checkbox"/>
<input type="checkbox"/> Very fast Reliable	<input type="checkbox"/>	<input checked="" type="checkbox"/> Fast Fast	<input type="checkbox"/>
<input type="checkbox"/> Fast Fast and reliable	<input type="checkbox"/>	<input type="checkbox"/> Fast Reliable	<input type="checkbox"/>
<input type="checkbox"/> Normal Fast	<input type="checkbox"/>	<input type="checkbox"/> Normal Fast and reliable	<input type="checkbox"/>
<input type="checkbox"/> Normal Reliable	<input type="checkbox"/>	<input type="checkbox"/> Slow Fast	<input type="checkbox"/>
<input type="checkbox"/> Slow Fast and reliable	<input type="checkbox"/>	<input type="checkbox"/> Slow Reliable	<input type="checkbox"/>

**Example of the report:**

```

----- Autotest Filter: Report -----
Device type           XA 5Y
Device ID             442566
Operator              Hubert
Application version   NL1.6.5 S
Date                  2015.05.07
Time                  09:34:48
-----
Reading unit          0.0001/0.0001 g
Internal weight mass  148.9390 g
Temperature: Start    25.26 °C
Temperature: Stop     25.66 °C
-----
Filter                Very fast
Result approval       Fast
Repeatability         0.0042 g
Stabilisation time    4.505 s

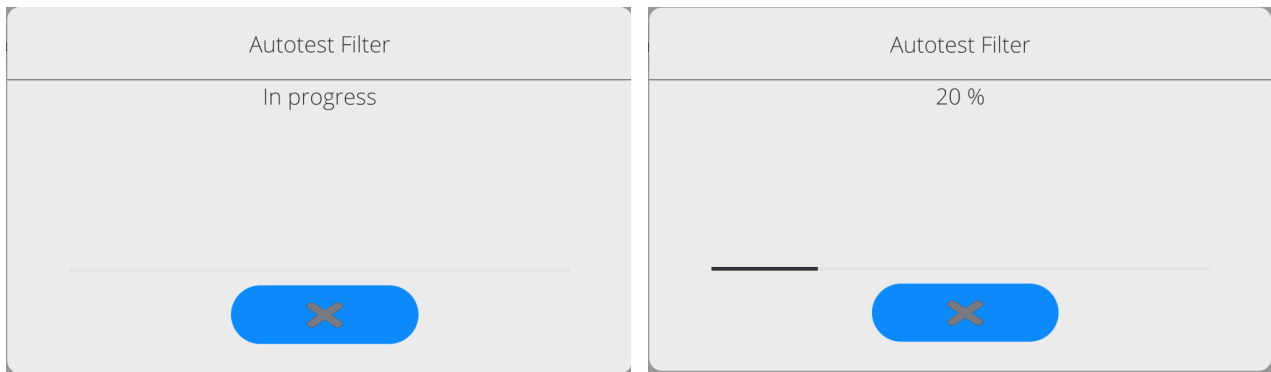
Filter                Very slow
Result approval       Precise
Repeatability         0.0207 g
Stabilisation time    5.015 s

Signature
.....
    
```

**Procedure:**

When you activate the function, the procedure is initiated instantly and the screen shows a window in which the operator is notified of the progress. When the autotest is finished, a summary will be displayed together with current filter settings. You can print it out.





You can feel free to abort the procedure at any time by pressing <X> key in the box.

### AUTOTEST GLP

This test is concerned with checking repeatability of placing the internal weight and determining the indication error in relation to the maximum load capacity.

#### Procedure:

- Place the internal weight on twice, and then put this weight on 10 times,
- Adjust the mass comparator,
- Calculate and remember the standard deviation,
- In devices with automatically opening doors, a door test will be performed too.

This function allows you to display and print the report using printers available in the system and to archive the report with basic data, information on ambient conditions and test results.

Test results:

\*Deviation for the maximum load.

\*Indication repeatability value expressed as a standard deviation.

\*Door assessment (positive/negative) – if the device is equipped with the door opening mechanism.

#### Example of the report:

```

.....
----- Autotest GLP: Report -----
Device type      XA 5Y
Device ID       400010
Operator        Admin
Application version LLx.x S
Date            2021.01.16
Time            09:17:16
-----
Number of measurements  10
Reading unit            0.0001 g
Internal weight mass    140.094 g
Filter                  Average
Result approval        Fast and precise
-----
Deviation for Max.     -0.0118 g
Repeatability          0.00088 g
Signature
.....

```

#### Procedure:

Press the name field to display a dialogue box.

Here you can do the following:

- Initiate another AUTOTEST GLP.

- Preview autotest results and possibly export all saved results into the \*.csv file.
- Delete all saved results.

You can terminate the procedure at any time by pressing <X> key in the box.

The autotest results are displayed in the form of a table (every line contains the autotest date and time as well as results).

To display the autotest data, press the table line with results.

To print single autotest results out, enter the results with all data on the autotest and generate the content printout by pressing <Printout> key in the top bar.

You can export the results by pressing the export field in the window with all saved autotests. The data will be sent to the external memory (pendrive stick) as a \*.csv file.

### **18.13. Start-up logo**

*(Available only to the authorised operator).*

This parameter allows you to change the image that shows up in the screen while launching the system.

### **18.14. Exporting system events**

*(Available only to the authorised operator).*

This option allows you to generate a special file that is saved automatically after activating this option in the external memory (pendrive stick) inserted into the USB port. This file is used to let RADWAG service technicians diagnose potential problems related to operation of the device.

#### **Procedure:**

- Insert the pendrive memory stick into the USB port.
- Next enter <Miscellaneous> submenu.
- Select <Export system events> parameter.
- A special file will be generated by the program and saved on the pendrive stick.
- Such a file must be sent to RADWAG.

### **18.15. Text-to-speech conversion**



This parameter allows you to activate conversion of names of particular groups and menu parameters into speech emitted from the measuring head speakers.



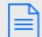



The voice is emitted in English only.

## 19. SCHEDULED TASKS

This menu contains settings that allow you to schedule systematically recurring tasks, such as mass comparator adjustment or special message display.

### 19.1. Adjustment

← Edit record  



 Name	 Code
 Planned operation <span style="float: right;">Automatic adjustment</span>	<input checked="" type="checkbox"/> Active <span style="float: right;"><input type="checkbox"/></span>
 First operation date and time <span style="float: right;">2023.03.23 12:08:46</span>	 Interval <span style="float: right;">24 h</span>
 Message	



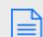



<Scheduled adjustments> parameter allows you to declare the exact time and interval applicable to calling the mass comparator adjustment. This option is independent of the automatic adjustment and calling criteria (time, temperature). You can schedule the internal and external adjustment. To make sure external adjustments can be scheduled, enter reference weights used to make these adjustments into the memory.

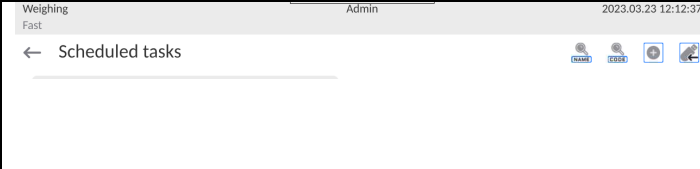
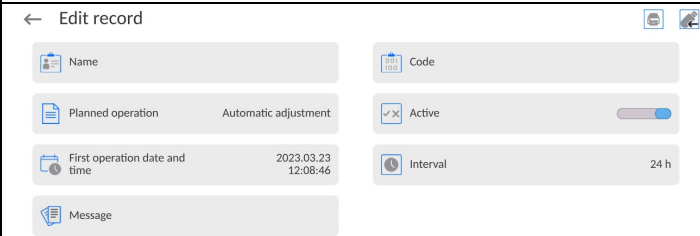

#### Setting:

Before you set the adjustment schedule, enter reference weights and their data for external adjustments.

To do so, enter the operator's menu, then <Adjustment> parameters group and find <Adjustment weights> parameter, and enter weight data:

← Edit record  

 Name <span style="float: right;">ETALON 100 g</span>	 Code <span style="float: right;">1234</span>
 Class <span style="float: right;">E2</span>	 Serial number <span style="float: right;">654321</span>
 Mass <span style="float: right;">100 g</span>	 Set number <span style="float: right;">KP 01</span>

	<p>Enter the operator's menu, then &lt;Scheduled tasks&gt; parameters group. You will see a window in which the authorised operator (Administrator) will be allowed to add items with scheduled adjustments.</p>
	<p>To do so, click  key. A window with data on scheduled adjustment will pop up.</p>
	<p>Select the scheduled task: automatic (internal) or external adjustment.</p>


<p>← Edit record</p> <p>Name: CAL 01</p> <p>Planned operation: Automatic adjustment</p> <p>First operation date and time: 2023.03.23 12:08:46</p> <p>Code: [empty]</p> <p>Active: <input checked="" type="checkbox"/></p> <p>Interval: 24 h</p> <p>Message: [empty]</p>	<p>If you have chosen the automatic adjustment, enter data on the adjustment and its schedule.</p>
<p>← Edit record</p> <p>Name: CAL 01</p> <p>Planned operation: External adjustment</p> <p>Active: <input checked="" type="checkbox"/></p> <p>Interval: 24 h</p> <p>Code: [empty]</p> <p>Adjustment weight: ETALON 100 g</p> <p>First operation date and time: 2023.03.23 12:08:46</p> <p>Message: [empty]</p>	<p>If you have chosen the external adjustment, enter data on the adjustment, reference weight used to make the adjustment and its schedule.</p>
<p>Weighing Fast Admin 2023.03.23 12:15:22</p> <p>← Scheduled tasks</p> <p>CAL 01</p>	<p>Once you have entered these data, return to the previous window. The item with scheduled adjustment will be added.</p>

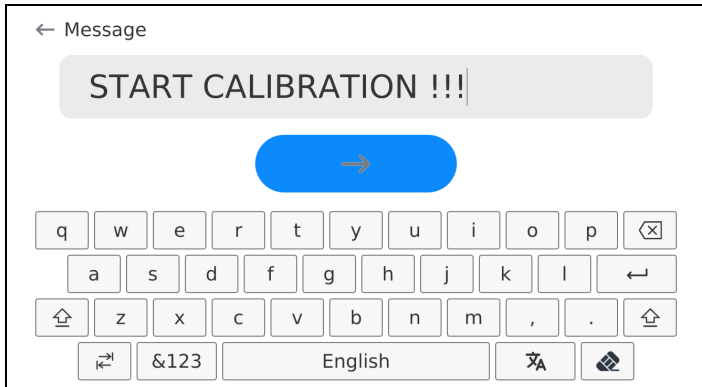

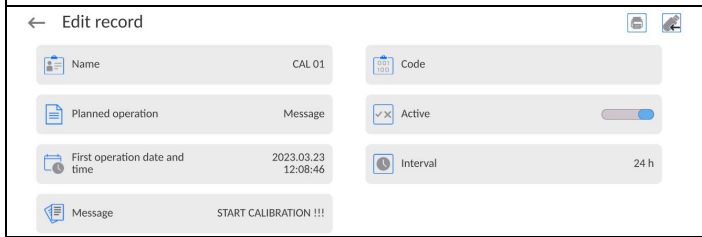
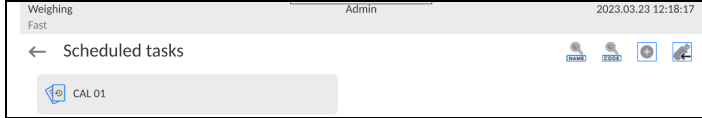
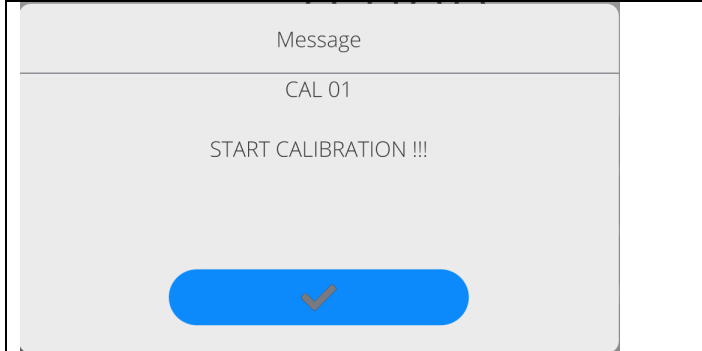

Leave the menu once all data have been entered.

From now on, adjustments will be automatic: at a specific time and at intervals given.

## 19.2. Message

This parameter allows you to declare the exact time and interval of displaying a special message that notifies the operator of a need to take some action at a specific time.

<p>Weighing Fast Admin 2023.03.23 12:15:22</p> <p>← Scheduled tasks</p>	<p>Enter the operator's menu and go to &lt;Scheduled tasks&gt; submenu. To add a task, click  key in the top information bar.</p>
<p>← Edit record</p> <p>Name: CAL 01</p> <p>Planned operation: Automatic adjustment</p> <p>First operation date and time: 2023.03.23 12:08:46</p> <p>Code: [empty]</p> <p>Active: <input checked="" type="checkbox"/></p> <p>Interval: 24 h</p> <p>Message: [empty]</p>	<p>You will see a window in which you need to select &lt;Scheduled tasks&gt; field. The selection box will be displayed.</p>
<p>← Planned operation</p> <p>Automatic adjustment</p> <p>Message</p> <p>Alarm message</p> <p>External adjustment</p>	<p>Select &lt;Message&gt; item.</p>
<p>← Edit record</p> <p>Name: CAL 01</p> <p>Planned operation: Message</p> <p>First operation date and time: 2023.03.23 12:08:46</p> <p>Code: [empty]</p> <p>Active: <input checked="" type="checkbox"/></p> <p>Interval: 24 h</p> <p>Message: [empty]</p>	<p>The message settings box will be restored. Once you have set message display frequency items (first occurrence, interval), enter the content of &lt;Message&gt; parameter lb &lt;Message with alarm&gt;.</p>

	<p>After entering the content, press &lt;  &gt; key to confirm the entry.</p>
	<p>Now you will return to the previous window.</p>
	<p>In the submenu box, you will see a scheduled task field. Leave the menu to enter the home screen.</p>
	<p>After meeting the message display criteria (time), you will see the message box. Press &lt;  &gt; key to save the screen and perform the scheduled task.</p>

## 20. AMBIENT CONDITIONS

Mass comparators are always equipped with internal ambient conditions sensors that record ambient conditions inside the comparator and optionally in an external sensor – THB environmental module that records ambient conditions of the mass comparator weighing chamber space:

- Internal sensor: Temperature 1
- Internal sensor: Temperature 2
- Internal sensor: Humidity
- \*External sensor: THB environmental module


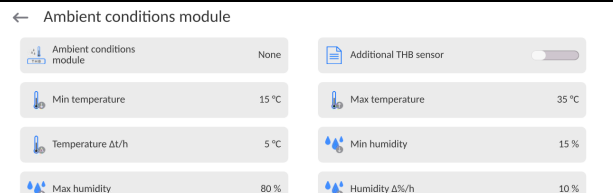
\*The external sensor is delivered upon the client's special request.

In the ambient conditions group, you can modify the following parameters of ambient conditions:

- Conditions recording frequency
- Environmental module

### Procedure

Enter <Parameters> and select <Ambient conditions> group.

<p>Enter &lt;Conditions recording frequency&gt; and specify the time interval for recording the ambient conditions.</p> <p>You can preview the ambient conditions record history. All records can be accessed in &lt;Database&gt; in &lt;Ambient conditions&gt; base.</p>	
<p>Enter &lt;Environmental module&gt; and assign it with ambient conditions parameters.</p> <p>&lt;Environmental module&gt; Thermo-Hygro-Barometer (THB) records 2 types of ambient conditions:</p> <ul style="list-style-type: none"> <li>• Temperature</li> <li>• Humidity</li> </ul>	

### Note:

*The ambient conditions for the mass comparator, as set by the operator, must not go out of the device operating range specified in the device specification sheet. If the ambient conditions deviate from the ones stipulated in the aforesaid sheet, the device may malfunction.*

## 21. UPDATE


The function enables updating:


- Area of an operator: APPLICATION.
- Metrological parameters: main board (only administrator).

Updating process takes place automatically by loading data from a USB flash drive connected to mass comparator's USB port.

### Procedure:

- Prepare a USB flash drive with update file. Required file extension: \*.lab4.
- Connect the USB flash drive to mass comparator's USB port.
- Log in as an Administrator

- Enter the balance menu, to do it press  key

- Select <Update> option, .
- Select <Application> entry.
- The content of the USB flash drive is displayed, search for the update file, click the file.


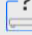










- Balance restart proceeds, application update takes place automatically.
- Shall the restart fail, turn the balance off and on.

The process of updating the main board files takes places analogously to the above described procedure, but the required extension of the update file is: \*.cm4mbu.

## 22. SYSTEM INFO

This menu contains information on the mass comparator and installed software. Most parameters are for reference only.

← About

 Balance S/N	0	 Balance type	XAM 3Y
 Network balance name	PUE10-2a45a2e9	 Software version	LL2.0
 Product code	000700404070	 Weighing firmware version	1.0.0
 Product code 2	429048443000	 Software rev. MB	1.1.3
 System version	LX-23.03.21	 CPU Id:	48560360
 Licence Id:	E4-5F-01-E5-41-E8	 Memory status	FLASH: 57 % RAM: 16 %

In <Ambient conditions> parameter, you can see available ambient conditions parameters: temperature, humidity, pressure (when the mass comparator is equipped with relevant sensors). After selecting <Settings printout> parameter, the mass comparator settings (all parameters) will be sent to the printer.


## 23. COMMUNICATION PROTOCOL



***A detailed description of the mass comparator-computer communication protocol can be accessed in „CBCP-07” manual.***

### 23.1. Manual/automatic printout

You can generate manual or automatic printouts in the mass comparator:

- Manual printout: press  key when the value has stabilised.
- The automatic printout is generated automatically, as per settings, as in automatic printout (see point 12.5).
- The content of the printout depends on the settings for <Standard printout> - <Weighing printout template> (see point 12.5).

Mass printout format:

1	2	3	4 -12	13	14	15	16	17	18
Stability marker	space	character	mass	space	unit			CR	LF

Stability marker	[space] if stable [?] if unstable [!] if air buoyancy compensation function is enabled [^] if high limit is out of range [v] if low limit is out of range
Mark	[space] for positive values or [-] for negative values
Mass	9 characters with dot and right alignment
Unit	3 characters and left alignment

**Example:**

----- 1 8 3 2 . 0 \_ g \_ \_ CR LF - printout generated from the mass comparator

after pressing  key in <Weighing printout template> settings:

N (number of measurements)	<b>NO</b>	Universal variable 1 ... 5	<b>NO</b>
Date	<b>NO</b>	Net	<b>NO</b>
Time	<b>NO</b>	Tare	<b>NO</b>
Levelling	<b>NO</b>	Gross	<b>NO</b>
Client	<b>NO</b>	Current result	<b>NO</b>
Warehouse	<b>NO</b>	Additional unit	<b>NO</b>
Product	<b>NO</b>	Mass	<b>YES</b>
Packaging	<b>NO</b>	Non-standard printout	<b>NO</b>



## 24. CONNECTION OF PERIPHERALS

5Y mass comparator can cooperate with the following devices:

- computer,
- receipt printer,
- PCL6-supporting printer,
- barcode scanner,
- fingerprint reader,
- any peripheral that supports ASCII protocol.

**Note:** Only accessories listed on RADWAG's website can be connected to the mass comparator.

## 25. ERROR MESSAGES

---

Max weighing threshold exceeded  
Unload the weighing pan

---

---

Min weighing threshold exceeded  
Install weighing pan

---

---

Zeroing out of range  
Press tarring button or restart the balance

---

---

Display capacity out of range  
Unload the weighing pan

---

---

Tarring out of range  
Press zeroing button or restart the balance

---

---

Start mass out of range  
Install weighing pan

---

---

Zeroing/tarring time out of range  
Weighing indication unstable

---

-no level- Balance not levelled

-Err 100- Weighing module restart

In process An ongoing process in the course of which the indication may be unstable (or mass comparator – the process of load change)

## 26. ADDITIONAL EQUIPMENT

Type	Name
RTP-UEW80 or RTP-RU80	Receipt printer
	PCL6-supporting printers – connected with the use of USB port
LS2208	Barcode scanner
SAL	Anti-vibration table for XA devices
	PC keyboard.

**Computer software:**  
„EDYTOR ETYKIET” software



**RADWAG BALANCES AND SCALES**  
ADVANCED WEIGHING TECHNOLOGIES

