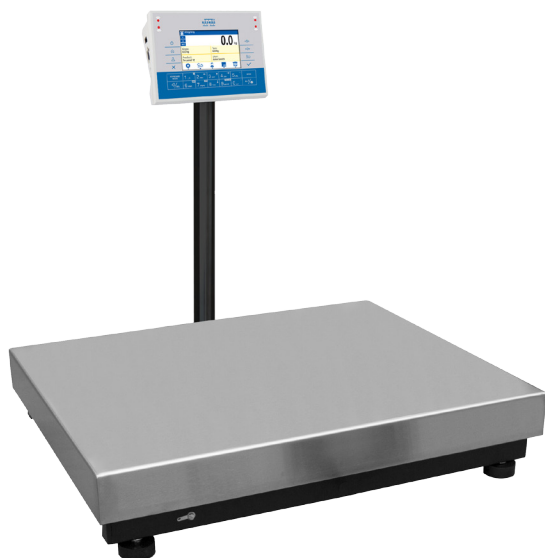


# C32 Multifunctional Scale

Speed, functionality and accuracy of weighing process in vast range of industrial applications



C32.C2.M  
indicator on a post



C32.F1.K  
indicator connected via cable



C32.D2  
housing made of ABS plastic



C32.C3.R  
indicator next to the platform



PUE C32 indicator with 5" colour graphic display

## Functions

- |                |                  |                   |                    |                   |
|----------------|------------------|-------------------|--------------------|-------------------|
| Parts counting | Percent weighing | Statistics        | Alibi memory       | Replaceable units |
| Dosing         | GLP procedures   | Proximity sensors | Under-pan weighing | Multilingual menu |
| Checkweighing  | Totalizing       | Labelling         |                    |                   |

## Features

### Precise Weighing Results in Industrial Conditions

C32 multifunctional scale enables fast and precise mass measurements in industrial conditions.

### Reliability and Safety

Robust platform made of powder-coated steel and stainless steel weighing pan enable weighing different types of loads, ensuring durability and endurance in everyday use.

### Versatile and Special-Purpose Scale

C32 scale can be applied in various industry areas, apart from weighing it allows to carry out parts counting, labelling operations.

### Cooperation with PUE C32 Indicator

The scale can be operated via advanced PUE C32 indicator controlled by Windows CE system. The housing is made of durable ABS plastic.

### Uncomplicated Operation and Clearly Presented Indications

5" colour screen ensures perfect readability, and intuitive information arrangement on the display guarantees uncomplicated and comfortable operation. Graphic user interface with the option of customization via widgets also adds to the comfort of operation.

### Battery as an Optional Power Source

Use of the optional battery enables the PUE C32 indicator to operate even when there is either no or unstable power supply.

### Touch-Free Operation

Two programmable proximity sensors can be assigned with any function or application. The given function when assigned is both run and operated touch-free. This makes your work even more comfortable, and helps to keep the indicator clean.

## Technical Specifications

	C32.0.6.D2	C32.1.5.D2*	C32.3.D2*
Maximum capacity [Max]	0.6 kg	1.5 kg	3 kg
Minimum capacity	4 g	10 g	20 g
Readability [d]	0.2 g	0.5 g	1 g
Max readability for non-verified scale	0.02 g	0.05 g	0.1 g
Verification unit [e]	0.2 g	0.5 g	1 g
Tare range	-0.6 kg	-1.5 kg	-3 kg
Verification	Yes	Yes	Yes
OIML class	III	III	III
Platform material	ABS	ABS	ABS
Weighing pan material	AISI304 stainless steel	AISI304 stainless steel	AISI304 stainless steel
Indicator fastening	to the platform	to the platform	to the platform
Display	5" graphic display	5" graphic display	5" graphic display
Keyboard	membrane, 22-key	membrane, 22-key	membrane, 22-key
Touch-free operation	2 programmable sensors	2 programmable sensors	2 programmable sensors
Indicator type	PUE C32	PUE C32	PUE C32
Ingress protection - platform	IP 43	IP 43	IP 43
Ingress protection - indicator	IP 43	IP 43	IP 43
USB-A	1	1	1
USB-B	1	1	1
Ethernet	10 / 100 Mbit	10 / 100 Mbit	10 / 100 Mbit
RS 232	1 × 8-pin socket, 1 × 15-pin socket	1 × 8-pin socket, 1 × 15-pin socket	1 × 8-pin socket, 1 × 15-pin socket
Wi-Fi®	802.11 b/g/n	802.11 b/g/n	802.11 b/g/n
IN/OUT	4 × IN, 4 × OUT for (IN – 5-24 VDC, OUT – max 30 VDC, 0,5 ADC)	4 × IN, 4 × OUT for (IN – 5-24 VDC, OUT – max 30 VDC, 0,5 ADC)	4 × IN, 4 × OUT for (IN – 5-24 VDC, OUT – max 30 VDC, 0,5 ADC)
Communication protocol	ASCII Text / Modbus RTU / TCP	ASCII Text / Modbus RTU / TCP	ASCII Text / Modbus RTU / TCP
Power supply	100 ÷ 240 V AC 50 ÷ 60 Hz / 12 V DC, battery**	100 ÷ 240 V AC 50 ÷ 60 Hz / 12 V DC, battery**	100 ÷ 240 V AC 50 ÷ 60 Hz / 12 V DC, battery**
Battery operating time	up to 5 hours of continuous operation	up to 5 hours of continuous operation	up to 5 hours of continuous operation
Power consumption	10 W	10 W	10 W
Operating temperature	-10 ÷ +40 °C	-10 ÷ +40 °C	-10 ÷ +40 °C
Relative humidity ***	10 ÷ 85%	10 ÷ 85%	10 ÷ 85%
Transport and storage temperature	-10 ÷ +50 °C	-10 ÷ +50 °C	-10 ÷ +50 °C
Weighing pan dimensions	195 × 195 mm	195 × 195 mm	195 × 195 mm
Indicator dimensions	206 × 140 × 71 mm	206 × 140 × 71 mm	206 × 140 × 71 mm
Overall dimensions	396 × 195 × 82 mm	396 × 195 × 82 mm	396 × 195 × 82 mm
Net weight	3.4 kg	3.4 kg	3.4 kg
Gross weight	4.3 kg	4.3 kg	4.3 kg
Packaging dimensions	490 × 300 × 150 mm	490 × 300 × 150 mm	490 × 300 × 150 mm

\* option: dual range weighing instrument

\*\* accessories for an additional charge

\*\*\* non-condensing conditions

Wi-Fi® is a registered trademark of Wi-Fi® Alliance.

	C32.6.D2*	C32.15.D2*	C32.1.5.F1.R C32.1.5.F1.K C32.1.5.F1.M
Maximum capacity [Max]	6 kg	15 kg	1.5 kg
Minimum capacity	40 g	100 g	10 g
Readability [d]	2 g	5 g	0.5 g
Max readability for non-verified scale	0.2 g	0.5 g	0.2 g
Verification unit [e]	2 g	5 g	0.5 g
Tare range	-6 kg	-15 kg	-1.5kg
Verification	Yes	Yes	Yes
OIML class	III	III	III
Platform material	powder-coated steel St3S	powder-coated steel St3S	powder-coated steel St3S
Weighing pan material	AISI304 stainless steel	AISI304 stainless steel	AISI304 stainless steel
Indicator fastening	to the platform (R)	to the platform (R)	to the platform (R) on 1 m cable (K) on a post (M)
Display	5" graphic display	5" graphic display	5" graphic display
Keyboard	membrane, 22-key	membrane, 22-key	membrane, 22-key
Touch-free operation	2 programmable sensors	2 programmable sensors	2 programmable sensors
Indicator type	PUE C32	PUE C32	PUE C32
Ingress protection - platform	IP 43	IP 43	IP 65
Ingress protection - indicator	IP 43	IP 43	IP 43
USB-A	1	1	1
USB-B	1	1	1
Ethernet	10 / 100 Mbit	10 / 100 Mbit	10 / 100 Mbit
RS 232	1 × 8-pin socket, 1 × 15-pin socket	1 × 8-pin socket, 1 × 15-pin socket	1 × 8-pin socket, 1 × 15-pin socket
Wi-Fi®	802.11 b/g/n	802.11 b/g/n	802.11 b/g/n
IN/OUT	4 × IN, 4 × OUT for (IN – 5-24 VDC, OUT – max 30 VDC, 0,5 ADC)	4 × IN, 4 × OUT for (IN – 5-24 VDC, OUT – max 30 VDC, 0,5 ADC)	4 × IN, 4 × OUT for (IN – 5-24 VDC, OUT – max 30 VDC, 0,5 ADC)
Communication protocol	ASCII Text / Modbus RTU / TCP	ASCII Text / Modbus RTU / TCP	ASCII Text / Modbus RTU / TCP
Power supply	100 ÷ 240 V AC 50 ÷ 60 Hz / 12 V DC, battery**	100 ÷ 240 V AC 50 ÷ 60 Hz / 12 V DC, battery**	100 ÷ 240 V AC 50 ÷ 60 Hz / 12 V DC, battery**
Battery operating time	up to 5 hours of continuous operation	up to 5 hours of continuous operation	up to 5 hours of continuous operation
Power consumption	10 W	10 W	10 W
Operating temperature	-10 ÷ +40 °C	-10 ÷ +40 °C	-10 ÷ +40 °C
Relative humidity ***	10 ÷ 85%	10 ÷ 85%	10 ÷ 85%
Transport and storage temperature	-10 ÷ +50 °C	-10 ÷ +50 °C	-10 ÷ +50 °C
Weighing pan dimensions	195 × 195 mm	195 × 195 mm	300 × 300 mm
Indicator dimensions	206 × 140 × 71 mm	206 × 140 × 71 mm	206 × 140 × 71 mm
Overall dimensions	396 × 195 × 82 mm	396 × 195 × 82 mm	433 × 300 × 70 mm (R) 433 × 300 × 374 mm (M)
Net weight	3.4 kg	3.4 kg	5.3 kg (R) 5.3 kg (K) 5.3 Kg (M)
Gross weight	4.3 kg	4.3 kg	6.1 kg (R) 6.1 kg (K) 6.6 Kg (M)
Packaging dimensions	490 × 300 × 150 mm	490 × 300 × 150 mm	570 × 390 × 170 mm (R) 570 × 390 × 170 mm (K) 500 × 390 × 410 mm (M)

\* option: dual range weighing instrument

\*\* accessories for an additional charge

\*\*\* non-condensing conditions

Wi-Fi® is a registered trademark of Wi-Fi® Alliance.

	<b>C32.3.F1.R</b> <b>C32.3.F1.K</b> <b>C32.3.F1.M</b>	<b>C32.6.F1.R*</b> <b>C32.6.F1.K*</b> <b>C32.6.F1.M*</b>	<b>C32.15.F1.R*</b> <b>C32.15.F1.K*</b> <b>C32.15.F1.M*</b>
<b>Maximum capacity [Max]</b>	3 kg	6 kg	15 kg
<b>Minimum capacity</b>	20 g	40 g	100 g
<b>Readability [d]</b>	1 g	2 g	5 g
<b>Max readability for non-verified scale</b>	0.2 g	0.2 g	0.5 g
<b>Verification unit [e]</b>	1 g	2 g	5 g
<b>Tare range</b>	-0.6 kg	-6 kg	-15 kg
<b>Verification</b>	Yes	Yes	Yes
<b>OIML class</b>	III	III	III
<b>Platform material</b>	powder-coated steel St35	powder-coated steel St35	powder-coated steel St35
<b>Weighing pan material</b>	AISI304 stainless steel	AISI304 stainless steel	AISI304 stainless steel
<b>Indicator fastening</b>	to the platform (R) on 1 m cable (K) on a post (M)	to the platform (R) on 1 m cable (K) on a post (M)	to the platform (R) on 1 m cable (K) on a post (M)
<b>Display</b>	5" graphic display	5" graphic display	5" graphic display
<b>Keyboard</b>	membrane, 22-key	membrane, 22-key	membrane, 22-key
<b>Touch-free operation</b>	2 programmable sensors	2 programmable sensors	2 programmable sensors
<b>Indicator type</b>	PUE C32	PUE C32	PUE C32
<b>Ingress protection - platform</b>	IP 65	IP 65	IP 65
<b>Ingress protection - indicator</b>	IP 43	IP 43	IP 43
<b>USB-A</b>	1	1	1
<b>USB-B</b>	1	1	1
<b>Ethernet</b>	10 / 100 Mbit	10 / 100 Mbit	10 / 100 Mbit
<b>RS 232</b>	1 × 8-pin socket, 1 × 15-pin socket	1 × 8-pin socket, 1 × 15-pin socket	1 × 8-pin socket, 1 × 15-pin socket
<b>Wi-Fi®</b>	802.11 b/g/n	802.11 b/g/n	802.11 b/g/n
<b>IN/OUT</b>	4 × IN, 4 × OUT for (IN – 5-24 VDC, OUT – max 30 VDC, 0,5 ADC)	4 × IN, 4 × OUT for (IN – 5-24 VDC, OUT – max 30 VDC, 0,5 ADC)	4 × IN, 4 × OUT for (IN – 5-24 VDC, OUT – max 30 VDC, 0,5 ADC)
<b>Communication protocol</b>	ASCII Text / Modbus RTU / TCP	ASCII Text / Modbus RTU / TCP	ASCII Text / Modbus RTU / TCP
<b>Power supply</b>	100 ÷ 240 V AC 50 ÷ 60 Hz / 12 V DC, battery**	100 ÷ 240 V AC 50 ÷ 60 Hz / 12 V DC, battery**	100 ÷ 240 V AC 50 ÷ 60 Hz / 12 V DC, battery**
<b>Battery operating time</b>	up to 5 hours of continuous operation	up to 5 hours of continuous operation	up to 5 hours of continuous operation
<b>Power consumption</b>	10 W	10 W	10 W
<b>Operating temperature</b>	-10 ÷ +40 °C	-10 ÷ +40 °C	-10 ÷ +40 °C
<b>Relative humidity ***</b>	10 ÷ 85%	10 ÷ 85%	10 ÷ 85%
<b>Transport and storage temperature</b>	-10 ÷ +50 °C	-10 ÷ +50 °C	-10 ÷ +50 °C
<b>Weighing pan dimensions</b>	300 × 300 mm	300 × 300 mm	300 × 300 mm
<b>Indicator dimensions</b>	206 × 140 × 71 mm	206 × 140 × 71 mm	206 × 140 × 71 mm
<b>Overall dimensions</b>	433 × 300 × 70 mm (R) 433 × 300 × 374 mm (M)	433 × 300 × 70 mm (R) 433 × 300 × 374 mm (M)	433 × 300 × 70 mm (R) 433 × 300 × 374 mm (M)
<b>Net weight</b>	5.3 kg (R) 5.3 kg (K) 5.3 Kg (M)	5.3 kg (R) 5.3 kg (K) 5.3 Kg (M)	5.3 kg (R) 5.3 kg (K) 5.3 Kg (M)
<b>Gross weight</b>	6.1 kg (R) 6.1 kg (K) 6.6 Kg (M)	6.1 kg (R) 6.1 kg (K) 6.6 Kg (M)	6.1 kg (R) 6.1 kg (K) 6.6 Kg (M)
<b>Packaging dimensions</b>	570 × 390 × 170 mm (R) 570 × 390 × 170 mm (K) 500 × 390 × 410 mm (M)	570 × 390 × 170 mm (R) 570 × 390 × 170 mm (K) 500 × 390 × 410 mm (M)	570 × 390 × 170 mm (R) 570 × 390 × 170 mm (K) 500 × 390 × 410 mm (M)

\* option: dual range weighing instrument

\*\* accessories for an additional charge

\*\*\* non-condensing conditions

Wi-Fi® is a registered trademark of Wi-Fi® Alliance.

	<b>C32.30.F1.R*</b> <b>C32.30.F1.K*</b> <b>C32.30.F1.M*</b>	<b>C32.15.C2.R*</b> <b>C32.15.C2.K*</b> <b>C32.15.C2.M*</b>	<b>C32.30.C2.R*</b> <b>C32.30.C2.K*</b> <b>C32.30.C2.M*</b>
<b>Maximum capacity [Max]</b>	30 kg	15 kg	30 kg
<b>Minimum capacity</b>	200 g	100 g	200 g
<b>Readability [d]</b>	10 g	5 g	10 g
<b>Max readability for non-verified scale</b>	1 g	1 g	1 g
<b>Verification unit [e]</b>	10 g	5 g	10 g
<b>Tare range</b>	-30 kg	-15 kg	-30 kg
<b>Verification</b>	Yes	Yes	Yes
<b>OIML class</b>	III	III	III
<b>Platform material</b>	powder-coated steel St3S	powder-coated steel St3S	powder-coated steel St3S
<b>Weighing pan material</b>	AISI304 stainless steel	AISI304 stainless steel	AISI304 stainless steel
<b>Indicator fastening</b>	to the platform (R) on 1 m cable (K) on a post (M)	to the platform (R) on 2,5 m cable (K) on a post (M)	to the platform (R) on 2,5 m cable (K) on a post (M)
<b>Display</b>	5" graphic display	5" graphic display	5" graphic display
<b>Keyboard</b>	membrane, 22-key	membrane, 22-key	membrane, 22-key
<b>Touch-free operation</b>	2 programmable sensors	2 programmable sensors	2 programmable sensors
<b>Indicator type</b>	PUE C32	PUE C32	PUE C32
<b>Ingress protection - platform</b>	IP 65	IP 65	IP 65
<b>Ingress protection - indicator</b>	IP 43	IP 43	IP 43
<b>USB-A</b>	1	1	1
<b>USB-B</b>	1	1	1
<b>Ethernet</b>	10 / 100 Mbit	10 / 100 Mbit	10 / 100 Mbit
<b>RS 232</b>	1 × 8-pin socket, 1 × 15-pin socket	1 × 8-pin socket, 1 × 15-pin socket	1 × 8-pin socket, 1 × 15-pin socket
<b>Wi-Fi®</b>	802.11 b/g/n	802.11 b/g/n	802.11 b/g/n
<b>IN/OUT</b>	4 × IN, 4 × OUT for (IN – 5-24 VDC, OUT – max 30 VDC, 0,5 ADC)	4 × IN, 4 × OUT for (IN – 5-24 VDC, OUT – max 30 VDC, 0,5 ADC)	4 × IN, 4 × OUT for (IN – 5-24 VDC, OUT – max 30 VDC, 0,5 ADC)
<b>Communication protocol</b>	ASCII Text / Modbus RTU / TCP	ASCII Text / Modbus RTU / TCP	ASCII Text / Modbus RTU / TCP
<b>Power supply</b>	100 ÷ 240 V AC 50 ÷ 60 Hz / 12 V DC, battery**	100 ÷ 240 V AC 50 ÷ 60 Hz / 12 V DC, battery**	100 ÷ 240 V AC 50 ÷ 60 Hz / 12 V DC, battery**
<b>Battery operating time</b>	up to 5 hours of continuous operation	up to 5 hours of continuous operation	up to 5 hours of continuous operation
<b>Power consumption</b>	10 W	10 W	10 W
<b>Operating temperature</b>	-10 ÷ +40 °C	-10 ÷ +40 °C	-10 ÷ +40 °C
<b>Relative humidity ***</b>	10 ÷ 85%	10 ÷ 85%	10 ÷ 85%
<b>Transport and storage temperature</b>	-10 ÷ +50 °C	-10 ÷ +50 °C	-10 ÷ +50 °C
<b>Weighing pan dimensions</b>	300 × 300 mm	400 × 500 mm	400 × 500 mm
<b>Indicator dimensions</b>	206 × 140 × 71 mm	206 × 140 × 71 mm	206 × 140 × 71 mm
<b>Overall dimensions</b>	433 × 300 × 70 mm (R) 433 × 300 × 374 mm (M)	565 × 500 × 105 mm (R) 509 × 500 × 768 mm (M)	565 × 500 × 105 mm (R) 509 × 500 × 768 mm (M)
<b>Net weight</b>	5.3 kg (R) 5.3 kg (K) 5.3 Kg (M)	11.1 kg (R) 11.1 kg (K) 12.8 Kg (M)	11.1 kg (R) 11.1 kg (K) 12.8 Kg (M)
<b>Gross weight</b>	6.1 kg (R) 6.1 kg (K) 6.6 Kg (M)	13.1 kg (R) 13.1 kg (K) 14.8 Kg (M)	13.1 kg (R) 13.1 kg (K) 14.8 Kg (M)
<b>Packaging dimensions</b>	570 × 390 × 170 mm (R) 570 × 390 × 170 mm (K) 500 × 390 × 410 mm (M)	720 × 620 × 210 mm (R) 720 × 620 × 210 mm (K) 720 × 620 × 210 mm (M)	720 × 620 × 210 mm (R) 720 × 620 × 210 mm (K) 720 × 620 × 210 mm (M)

\* option: dual range weighing instrument

\*\* accessories for an additional charge

\*\*\* non-condensing conditions

Wi-Fi® is a registered trademark of Wi-Fi® Alliance.

	<b>C32.60.C2.R*</b> <b>C32.60.C2.K*</b> <b>C32.60.C2.M*</b>	<b>C32.150.C2.R*</b> <b>C32.150.C2.K*</b> <b>C32.150.C2.M*</b>	<b>C32.300.C2.R*</b> <b>C32.300.C2.K*</b> <b>C32.300.C2.M*</b>
<b>Maximum capacity [Max]</b>	60 kg	150 kg	300 kg
<b>Minimum capacity</b>	400 g	1000 g	2000 g
<b>Readability [d]</b>	20 g	50 g	100 g
<b>Max readability for non-verified scale</b>	2 g	5 g	10 g
<b>Verification unit [e]</b>	20 g	50 g	100 g
<b>Tare range</b>	-60 kg	-150 kg	-300 kg
<b>Verification</b>	Yes	Yes	Yes
<b>OIML class</b>	III	III	III
<b>Platform material</b>	powder-coated steel St3S	powder-coated steel St3S	powder-coated steel St3S
<b>Weighing pan material</b>	AISI304 stainless steel	AISI304 stainless steel	AISI304 stainless steel
<b>Indicator fastening</b>	to the platform (R) on 2,5 m cable (K) on a post (M)	to the platform (R) on 2,5 m cable (K) on a post (M)	to the platform (R) on 2,5 m cable (K) on a post (M)
<b>Display</b>	5" graphic display	5" graphic display	5" graphic display
<b>Keyboard</b>	membrane, 22-key	membrane, 22-key	membrane, 22-key
<b>Touch-free operation</b>	2 programmable sensors	2 programmable sensors	2 programmable sensors
<b>Indicator type</b>	PUE C32	PUE C32	PUE C32
<b>Ingress protection - platform</b>	IP 65	IP 65	IP 65
<b>Ingress protection - indicator</b>	IP 43	IP 43	IP 43
<b>USB-A</b>	1	1	1
<b>USB-B</b>	1	1	1
<b>Ethernet</b>	10 / 100 Mbit	10 / 100 Mbit	10 / 100 Mbit
<b>RS 232</b>	1 × 8-pin socket, 1 × 15-pin socket	1 × 8-pin socket, 1 × 15-pin socket	1 × 8-pin socket, 1 × 15-pin socket
<b>Wi-Fi®</b>	802.11 b/g/n	802.11 b/g/n	802.11 b/g/n
<b>IN/OUT</b>	4 × IN, 4 × OUT for (IN – 5-24 VDC, OUT – max 30 VDC, 0,5 ADC)	4 × IN, 4 × OUT for (IN – 5-24 VDC, OUT – max 30 VDC, 0,5 ADC)	4 × IN, 4 × OUT for (IN – 5-24 VDC, OUT – max 30 VDC, 0,5 ADC)
<b>Communication protocol</b>	ASCII Text / Modbus RTU / TCP	ASCII Text / Modbus RTU / TCP	ASCII Text / Modbus RTU / TCP
<b>Power supply</b>	100 ÷ 240 V AC 50 ÷ 60 Hz / 12 V DC, battery**	100 ÷ 240 V AC 50 ÷ 60 Hz / 12 V DC, battery**	100 ÷ 240 V AC 50 ÷ 60 Hz / 12 V DC, battery**
<b>Battery operating time</b>	up to 5 hours of continuous operation	up to 5 hours of continuous operation	up to 5 hours of continuous operation
<b>Power consumption</b>	10 W	10 W	10 W
<b>Operating temperature</b>	-10 ÷ +40 °C	-10 ÷ +40 °C	-10 ÷ +40 °C
<b>Relative humidity ***</b>	10 ÷ 85%	10 ÷ 85%	10 ÷ 85%
<b>Transport and storage temperature</b>	-10 ÷ +50 °C	-10 ÷ +50 °C	-10 ÷ +50 °C
<b>Weighing pan dimensions</b>	400 × 500 mm	400 × 500 mm	400 × 500 mm
<b>Indicator dimensions</b>	206 × 140 × 71 mm	206 × 140 × 71 mm	206 × 140 × 71 mm
<b>Overall dimensions</b>	565 × 500 × 105 mm (R) 509 × 500 × 768 mm (M)	565 × 500 × 105 mm (R) 509 × 500 × 768 mm (M)	565 × 500 × 105 mm (R) 509 × 500 × 768 mm (M)
<b>Net weight</b>	11.1 kg (R) 11.1 kg (K) 12.8 Kg (M)	11.1 kg (R) 11.1 kg (K) 12.8 Kg (M)	11.1 kg (R) 11.1 kg (K) 12.8 Kg (M)
<b>Gross weight</b>	13.1 kg (R) 13.1 kg (K) 14.8 Kg (M)	13.1 kg (R) 13.1 kg (K) 14.8 Kg (M)	13.1 kg (R) 13.1 kg (K) 14.8 Kg (M)
<b>Packaging dimensions</b>	720 × 620 × 210 mm (R) 720 × 620 × 210 mm (K) 720 × 620 × 210 mm (M)	720 × 620 × 210 mm (R) 720 × 620 × 210 mm (K) 720 × 620 × 210 mm (M)	720 × 620 × 210 mm (R) 720 × 620 × 210 mm (K) 720 × 620 × 210 mm (M)

\* option: dual range weighing instrument

\*\* accessories for an additional charge

\*\*\* non-condensing conditions

Wi-Fi® is a registered trademark of Wi-Fi® Alliance.

	<b>C32.15.C3.K</b> <b>C32.15.C3.M</b>	<b>C32.30.C3.K*</b> <b>C32.30.C3.M*</b>	<b>C32.60.C3.K*</b> <b>C32.60.C3.M*</b>
<b>Maximum capacity [Max]</b>	15 kg	30 kg	60 kg
<b>Minimum capacity</b>	100 g	200 g	400 g
<b>Readability [d]</b>	5 g	10 g	20 g
<b>Max readability for non-verified scale</b>	1 g	1 g	2 g
<b>Verification unit [e]</b>	5 g	10 g	20 g
<b>Tare range</b>	-15 kg	-30 kg	-60 kg
<b>Verification</b>	Yes	Yes	Yes
<b>OIML class</b>	III	III	III
<b>Platform material</b>	powder-coated steel St3S	powder-coated steel St3S	powder-coated steel St3S
<b>Weighing pan material</b>	AISI304 stainless steel	AISI304 stainless steel	AISI304 stainless steel
<b>Indicator fastening</b>	on 2,5 m cable (K) on a post (M)	on 2,5 m cable (K) on a post (M)	on 2,5 m cable (K) on a post (M)
<b>Display</b>	5" graphic display	5" graphic display	5" graphic display
<b>Keyboard</b>	membrane, 22-key	membrane, 22-key	membrane, 22-key
<b>Touch-free operation</b>	2 programmable sensors	2 programmable sensors	2 programmable sensors
<b>Indicator type</b>	PUE C32	PUE C32	PUE C32
<b>Ingress protection - platform</b>	IP 65	IP 65	IP 65
<b>Ingress protection - indicator</b>	IP 43	IP 43	IP 43
<b>USB-A</b>	1	1	1
<b>USB-B</b>	1	1	1
<b>Ethernet</b>	10 / 100 Mbit	10 / 100 Mbit	10 / 100 Mbit
<b>RS 232</b>	1 × 8-pin socket, 1 × 15-pin socket	1 × 8-pin socket, 1 × 15-pin socket	1 × 8-pin socket, 1 × 15-pin socket
<b>Wi-Fi®</b>	802.11 b/g/n	802.11 b/g/n	802.11 b/g/n
<b>IN/OUT</b>	4 × IN, 4 × OUT for (IN – 5-24 VDC, OUT – max 30 VDC, 0,5 ADC)	4 × IN, 4 × OUT for (IN – 5-24 VDC, OUT – max 30 VDC, 0,5 ADC)	4 × IN, 4 × OUT for (IN – 5-24 VDC, OUT – max 30 VDC, 0,5 ADC)
<b>Communication protocol</b>	ASCII Text / Modbus RTU / TCP	ASCII Text / Modbus RTU / TCP	ASCII Text / Modbus RTU / TCP
<b>Power supply</b>	100 ÷ 240 V AC 50 ÷ 60 Hz / 12 V DC, battery**	100 ÷ 240 V AC 50 ÷ 60 Hz / 12 V DC, battery**	100 ÷ 240 V AC 50 ÷ 60 Hz / 12 V DC, battery**
<b>Battery operating time</b>	up to 5 hours of continuous operation	up to 5 hours of continuous operation	up to 5 hours of continuous operation
<b>Power consumption</b>	10 W	10 W	10 W
<b>Operating temperature</b>	-10 ÷ +40 °C	-10 ÷ +40 °C	-10 ÷ +40 °C
<b>Relative humidity ***</b>	10 ÷ 85%	10 ÷ 85%	10 ÷ 85%
<b>Transport and storage temperature</b>	-10 ÷ +50 °C	-10 ÷ +50 °C	-10 ÷ +50 °C
<b>Weighing pan dimensions</b>	700 × 500 mm	700 × 500 mm	700 × 500 mm
<b>Indicator dimensions</b>	206 × 140 × 71 mm	206 × 140 × 71 mm	206 × 140 × 71 mm
<b>Overall dimensions</b>	817 × 500 × 773 mm (M)	817 × 500 × 773 mm (M)	817 × 500 × 773 mm (M)
<b>Net weight</b>	21.7 kg (K) 23.4 Kg (M)	21.7 kg (K) 23.4 Kg (M)	21.7 kg (K) 23.4 Kg (M)
<b>Gross weight</b>	25.5 kg (K) 27.2 Kg (M)	25.5 kg (K) 27.2 Kg (M)	25.5 kg (K) 27.2 Kg (M)
<b>Packaging dimensions</b>	850 × 800 × 270 mm (K) 850 × 800 × 270 mm (M)	850 × 800 × 270 mm (K) 850 × 800 × 270 mm (M)	850 × 800 × 270 mm (K) 850 × 800 × 270 mm (M)

\* option: dual range weighing instrument

\*\* accessories for an additional charge

\*\*\* non-condensing conditions

Wi-Fi® is a registered trademark of Wi-Fi® Alliance.

	C32.150.C3.K* C32.150.C3.M*	C32.300.C3.K* C32.300.C3.M*
Maximum capacity [Max]	150 kg	300 kg
Minimum capacity	1000 g	2000 g
Readability [d]	50 g	100 g
Max readability for non-verified scale	5 g	10 g
Verification unit [e]	50 g	100 g
Tare range	-150 kg	-300 kg
Verification	Yes	Yes
OIML class	III	III
Platform material	powder-coated steel St3S	powder-coated steel St3S
Weighing pan material	AISI304 stainless steel	AISI304 stainless steel
Indicator fastening	on 2,5 m cable (K) on a post (M)	on 2,5 m cable (K) on a post (M)
Display	5" graphic display	5" graphic display
Keyboard	membrane, 22-key	membrane, 22-key
Touch-free operation	2 programmable sensors	2 programmable sensors
Indicator type	PUE C32	PUE C32
Ingress protection - platform	IP 65	IP 65
Ingress protection - indicator	IP 43	IP 43
USB-A	1	1
USB-B	1	1
Ethernet	10 / 100 Mbit	10 / 100 Mbit
RS 232	1 × 8-pin socket, 1 × 15-pin socket	1 × gniazdo 8-pin, 1 × gniazdo 15-pin
Wi-Fi®	802.11 b/g/n	802.11 b/g/n
IN/OUT	4 × IN, 4 × OUT for (IN – 5-24 VDC, OUT – max 30 VDC, 0,5 ADC)	4 × IN, 4 × OUT dla (IN – 5-24 VDC, OUT – max 30 VDC, 0,5 ADC)
Communication protocol	ASCII Text / Modbus RTU / TCP	ASCII Text / Modbus RTU / TCP
Power supply	100 ÷ 240 V AC 50 ÷ 60 Hz / 12 V DC, battery**	100 ÷ 240 V AC 50 ÷ 60 Hz / 12 V DC, battery**
Battery operating time	up to 5 hours of continuous operation	up to 5 hours of continuous operation
Power consumption	10 W	10 W
Operating temperature	-10 ÷ +40 °C	-10 ÷ +40 °C
Relative humidity ***	10 ÷ 85%	10 ÷ 85%
Transport and storage temperature	-10 ÷ +50 °C	-10 ÷ +50 °C
Weighing pan dimensions	700 × 500 mm	700 × 500 mm
Indicator dimensions	206 × 140 × 71 mm	206 × 140 × 71 mm
Overall dimensions	817 × 500 × 773 mm (M)	817 × 500 × 773 mm (M)
Net weight	21.7 kg (K) 23.4 Kg (M)	21.7 kg (K) 23.4 Kg (M)
Gross weight	25.5 kg (K) 27.2 Kg (M)	25.5 kg (K) 27.2 Kg (M)
Packaging dimensions	850 × 800 × 270 mm (K) 850 × 800 × 270 mm (M)	850 × 800 × 270 mm (K) 850 × 800 × 270 mm (M)

\* option: dual range weighing instrument

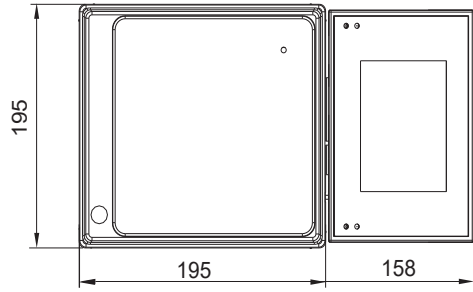
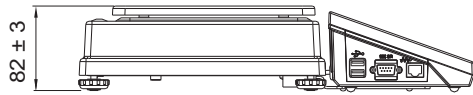
\*\* accessories for an additional charge

\*\*\* non-condensing conditions

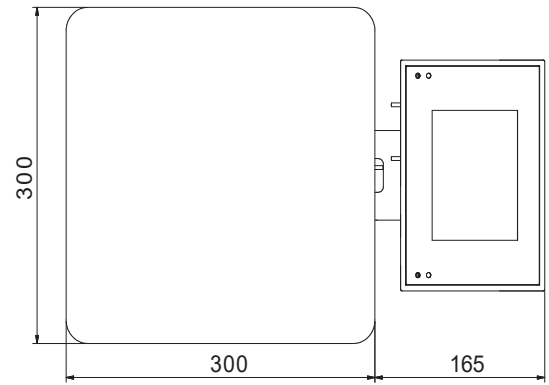
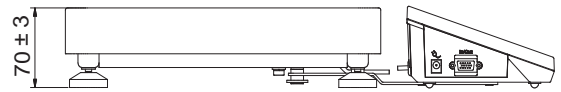
Wi-Fi® is a registered trademark of Wi-Fi® Alliance.



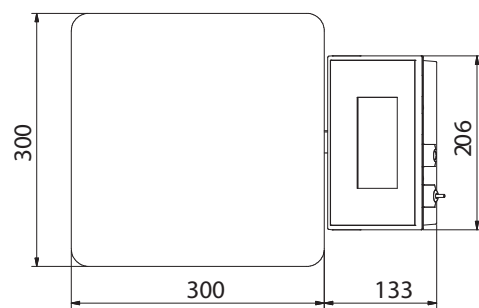
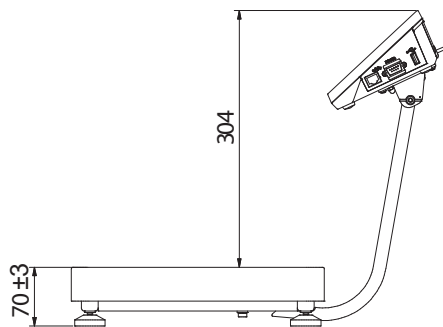
# Dimensions



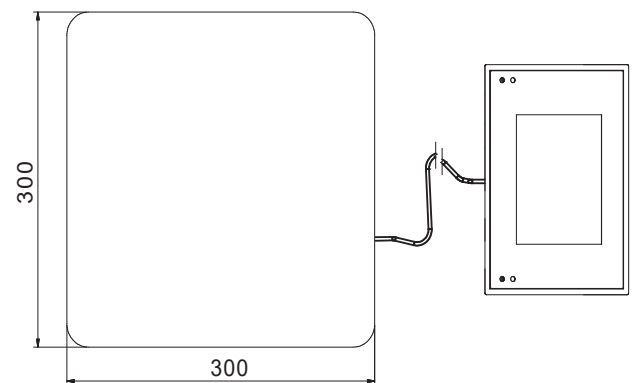
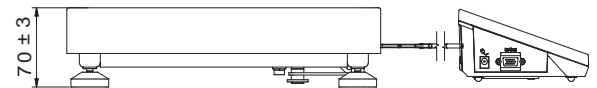
C32.D2



C32.F1.R

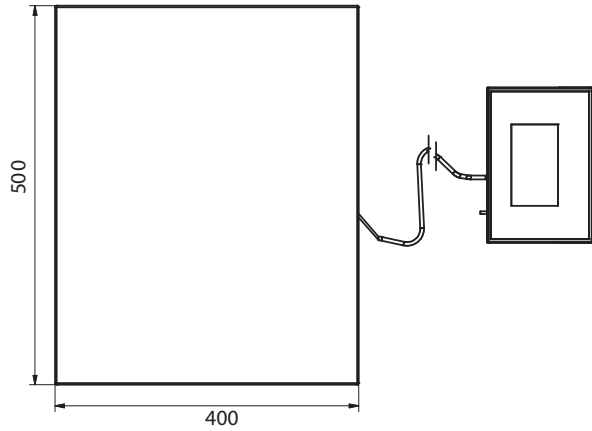
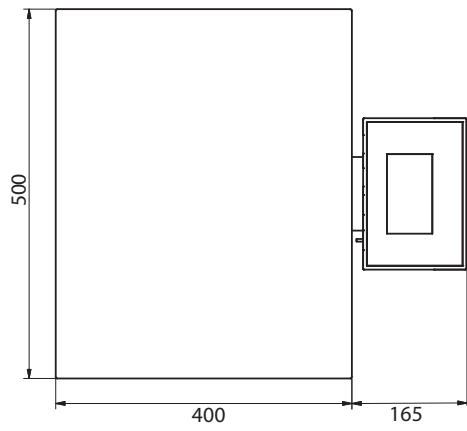
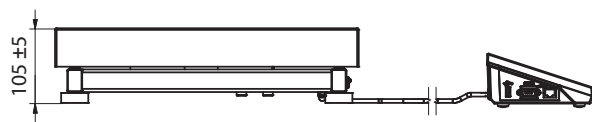
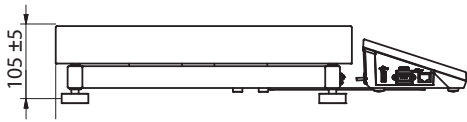


C32.F1.M



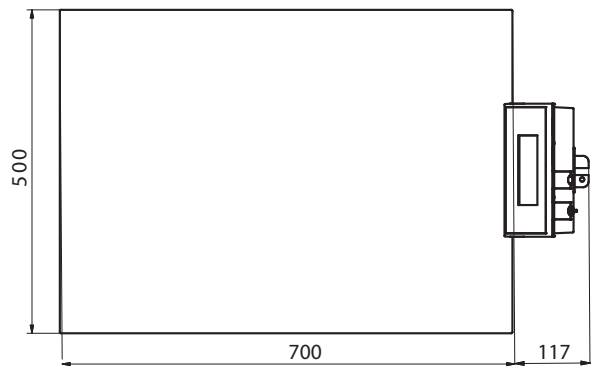
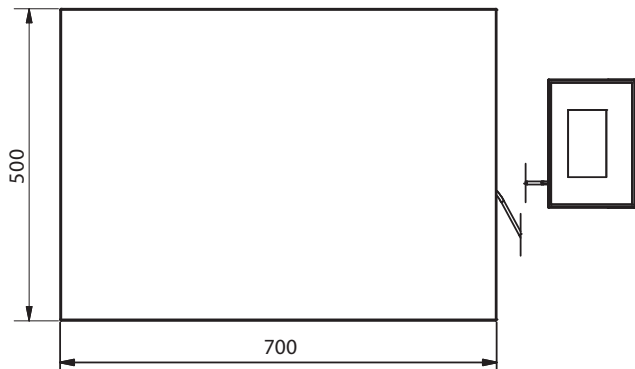
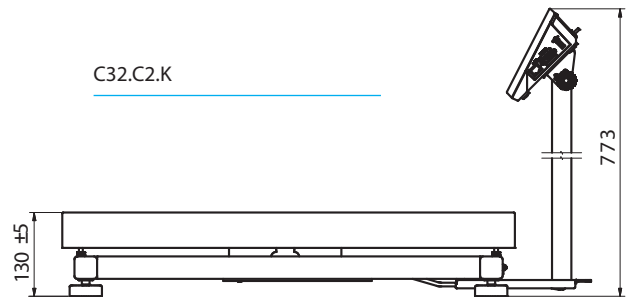
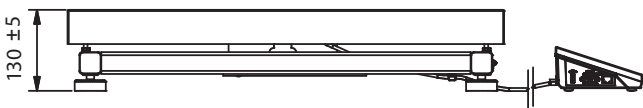
C32.F1.K

# Dimensions



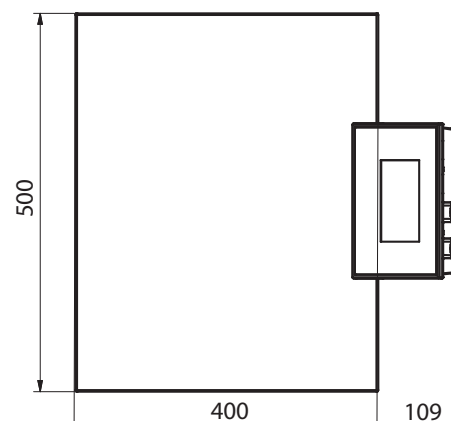
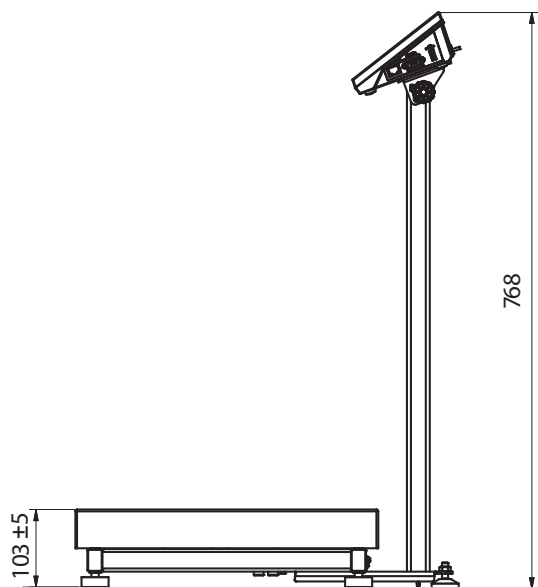
C32.C2.R

C32.C2.K



C32.C3.K

C32.C3.M



C32.C3.M

## Accessories

### Peripheral Devices

- Epson dot matrix printer
- label printers
- receipt printer
- stack light
- LCD – WD-6 display (in a plastic housing)
- barcode scanner
- keyboards, external switches
- transponder card scanner

### Cables, Converters

- RS-232 – P0108 cable (scale - indicator)
- RS-232 – P0167 cable (scale - indicator)
- RS-232 – P0151 Epson printer cable

- RS-232 – P0183 Zebra printer cable
- IN/OUT – PT0128 cables
- USB cable type A-B
- Ethernet cable

### Remaining Accessories

- stands for indicators
- weighing tables

## Dedicated Software

### R-LAB

- collecting measurements
- carrying out statistical analysis of measurements
- customized graphs and reports

### E2R Weighing Records

- complete, automated databases synchronization
- fully supported processes of labelling and parts counting
- record of weighings, weighings archiving
- basic and advanced (with graphs) reports

### Label Editor R02

- designing label templates
- sending graphics and fonts to label printers
- printing label templates using connected printers

### RAD KEY

- Establishing cooperation between a weighing instrument and a computer

### Radwag Development Studio

- presentation of functions (and subfunctions) of communication protocol (Common Communication Protocol)
- possibility of connection with weighing equipment on which each function is carried out,
- library with mass control, contained within the development environment

- complete documentation of the communication protocol
- set of user manuals for different solutions addressed for programmers employed in companies using RADWAG-manufactured weighing equipment

### RADWAG Connect

- establishing communication with all balances, scales and weighing modules using Common Communication Protocol
- communication via local network,
- support of basic functions
- auto searching for devices
- connecting with few devices simultaneously, swapping between them
- clear list of connected platforms
- record of measurements in the program,
- export of carried out measurements to CSV file,
- work performed using freely selected device with Windows 10 operating system

### R.Barcode

- The basic function software is presentation of the data sent by barcode scanners connected to PC via USB or RS232

### LabView Driver

- operation of RADWAG balances in LabView environment