

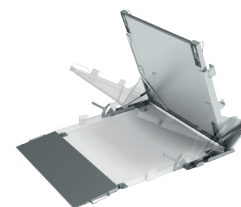
Stainless Steel WPT/4N H.LD Ramp Scale

Measurements of large loads in moist environment

System allowing lifting the platform up, useful for maintenance purposes



WPT/4N H.LD












The system does not require physical exertion



PUE C/31H indicator with LCD display in stainless steel housing

Functions

-  Parts counting
-  Percent weighing
-  Totalizing
-  In-built battery
-  Replaceable units
-  +/- Control
-  Animal weighing
-  Peak hold
-  Stainless steel design

Features

Platform Lifting

WPT/4N.LD scale is equipped with mechanism that enables safe platform lifting and does not require physical exertion or additional equipment. Upon platform lowering, the scale is ready to carry out measurement. There is no need for readjustment.

Precise Weighing Indications in Challenging Industrial Conditions

Mass measurement carried out using 4 load cells guarantees weighing accuracy regardless positioning of the load on the platform. The scale ensures precise and fast mass measurement in challenging industrial conditions.

Robustness and Resistance to Ambient Conditions

Robust platform made of stainless steel allows to operate large loads in moist environment and at direct contact with water (e.g. meat and fish industry).

Versatility of Use

Ramps enable easy loading and unloading of large loads carried onto the weighing pan using trolleys.

Cooperation with PUE C/31 H Indicator

The scale can be operated via uncomplicated and reliable PUE C/31 H indicator housed in a stainless steel housing.

Uncomplicated Operation and Clear Presentation of Indications

Due to a backlit LCD display the measurement result is clearly visible. Easy operation enables fast and reliable measurements to be carried out even by an inexperienced operator.

Uninterrupted Operation due to an Internal Battery

Integrated battery of the weighing indicator enables several hours long mobile operation.

Ergonomics and Comfort of Operation

With use of a long cable it is possible to locate the indicator in a place facilitating convenient operation or on the wall. An additional accessory enables placing the indicator on a stand.

Customizable Instrument

Numerous variants of weighing pan dimensions and broad range of maximum capacities enable selecting the best weighing instrument suiting specific requirements and needs.

Technical Specifications

	WPT/4N 150 H1.LD	WPT/4N 300 H1.LD	WPT/4N 600 H1.LD*
Maximum capacity [Max]	150 kg	300 kg	600 kg
Minimum capacity	1000 g	2000 g	4000 g
Readability [d]	50 g	100 g	200 g
Max readability for non-verified scale	20 g	20 g	50 g
Verification unit [e]	50 g	100 g	200 g
Tare range	-150 kg	-300 kg	-600 kg
Verification	Yes	Yes	Yes
OIML class	III	III	III
Design material	AISI304 stainless steel	AISI304 stainless steel	AISI304 stainless steel
Weighing pan material	AISI304 stainless steel	AISI304 stainless steel	AISI304 stainless steel
Indicator fastening	3 m cable	3 m cable	3 m cable
Display	LCD (with backlight)	LCD (with backlight)	LCD (with backlight)
Keyboard	5 keys	5 keys	5 keys
Indicator	PUE C/31H	PUE C/31H	PUE C/31H
Ingress protection - design	IP 68	IP 68	IP 68
Ingress protection - indicator	IP 68/69	IP 68/69	IP 68/69
RS 232	1	1	1
Power supply	100 ÷ 240 V AC 50 ÷ 60 Hz / 12 V DC + battery	100 ÷ 240 V AC 50 ÷ 60 Hz / 12 V DC + battery	100 ÷ 240 V AC 50 ÷ 60 Hz / 12 V DC + battery
Battery operation time	45 hours	45 hours	45 hours
Power consumption	6 W	6 W	6 W
Operating temperature	-10 ÷ +40 °C	-10 ÷ +40 °C	-10 ÷ +40 °C
Relative humidity**	10 ÷ 85%	10 ÷ 85%	10 ÷ 85%
Transport and storage temperature	-10 ÷ +50 °C	-10 ÷ +50 °C	-10 ÷ +50 °C
Weighing pan dimensions	840 × 860 mm	840 × 860 mm	840 × 860 mm
Indicator dimensions	226 × 250 × 120 mm	226 × 250 × 120 mm	226 × 250 × 120 mm
Net weight	105 kg	105 kg	105 kg
Gross weight	135 kg	135 kg	135 kg
Packaging dimensions	139 × 129 × 55 cm	139 × 129 × 55 cm	139 × 129 × 55 cm

* option: dual range weighing instrument

** non-condensing conditions

Technical Specifications

	WPT/4N 150 H2.LD	WPT/4N 300 H2.LD	WPT/4N 600 H2.LD*
Maximum capacity [Max]	150 kg	300 kg	600 kg
Minimum capacity	1000 g	2000 g	4000 g
Readability [d]	50 g	100 g	200 g
Max readability for non-verified scale	20 g	20 g	50 g
Verification unit [e]	50 g	100 g	200 g
Tare range	-150 kg	-300 kg	-600 kg
Verification	Yes	Yes	Yes
OIML class	III	III	III
Design material	AISI304 stainless steel	AISI304 stainless steel	AISI304 stainless steel
Weighing pan material	AISI304 stainless steel	AISI304 stainless steel	AISI304 stainless steel
Indicator fastening	3 m cable	3 m cable	3 m cable
Display	LCD (with backlight)	LCD (with backlight)	LCD (with backlight)
Keyboard	5 keys	5 keys	5 keys
Indicator	PUE C/31H	PUE C/31H	PUE C/31H
Ingress protection - design	IP 68	IP 68	IP 68
Ingress protection - indicator	IP 68/69	IP 68/69	IP 68/69
RS 232	1	1	1
Power supply	100 ÷ 240 V AC 50 ÷ 60 Hz / 12 V DC + battery	100 ÷ 240 V AC 50 ÷ 60 Hz / 12 V DC + battery	100 ÷ 240 V AC 50 ÷ 60 Hz / 12 V DC + battery
Battery operation time	45 hours	45 hours	45 hours
Power consumption	6 W	6 W	6 W
Operating temperature	-10 ÷ +40 °C	-10 ÷ +40 °C	-10 ÷ +40 °C
Relative humidity**	10 ÷ 85%	10 ÷ 85%	10 ÷ 85%
Transport and storage temperature	-10 ÷ +50 °C	-10 ÷ +50 °C	-10 ÷ +50 °C
Weighing pan dimensions	1100 × 1200 mm	1100 × 1200 mm	1100 × 1200 mm
Indicator dimensions	226 × 250 × 120 mm	226 × 250 × 120 mm	226 × 250 × 120 mm
Net weight	150 kg	150 kg	150 kg
Gross weight	185 kg	185 kg	185 kg
Packaging dimensions	164 × 159 × 55 cm	164 × 159 × 55 cm	164 × 159 × 55 cm

* option: dual range weighing instrument

** non-condensing conditions

Technical Specifications

	WPT/4N 1500 H2.LD*	WPT/4N 300 H3.LD	WPT/4N 600 H3.LD*
Maximum capacity [Max]	1500 kg	300 kg	600 kg
Minimum capacity	10000 g	2000 g	4000 g
Readability [d]	500 g	100 g	200 g
Max readability for non-verified scale	100 g	50 g	50 g
Verification unit [e]	500 g	100 g	200 g
Tare range	-1500 kg	-300 kg	-600 kg
Verification	Yes	Yes	Yes
OIML class	III	III	III
Design material	AISI304 stainless steel	AISI304 stainless steel	AISI304 stainless steel
Weighing pan material	AISI304 stainless steel	AISI304 stainless steel	AISI304 stainless steel
Indicator fastening	3 m cable	3 m cable	3 m cable
Display	LCD (with backlight)	LCD (with backlight)	LCD (with backlight)
Keyboard	5 keys	5 keys	5 keys
Indicator	PUE C/31H	PUE C/31H	PUE C/31H
Ingress protection - design	IP 68	IP 68	IP 68
Ingress protection - indicator	IP 68/69	IP 68/69	IP 68/69
RS 232	1	1	1
Power supply	100 ÷ 240 V AC 50 ÷ 60 Hz / 12 V DC + battery	100 ÷ 240 V AC 50 ÷ 60 Hz / 12 V DC + battery	100 ÷ 240 V AC 50 ÷ 60 Hz / 12 V DC + battery
Battery operation time	45 hours	45 hours	45 hours
Power consumption	6 W	6 W	6 W
Operating temperature	-10 ÷ +40 °C	-10 ÷ +40 °C	-10 ÷ +40 °C
Relative humidity**	10 ÷ 85%	10 ÷ 85%	10 ÷ 85%
Transport and storage temperature	-10 ÷ +50 °C	-10 ÷ +50 °C	-10 ÷ +50 °C
Weighing pan dimensions	1100 × 1200 mm	1200 × 1500 mm	1200 × 1500 mm
Indicator dimensions	226 × 250 × 120 mm	226 × 250 × 120 mm	226 × 250 × 120 mm
Net weight	190 kg	180 kg	180 kg
Gross weight	225 kg	220 kg	220 kg
Packaging dimensions	164 × 159 × 55 cm	174 × 189 × 55 cm	174 × 189 × 55 cm

* option: dual range weighing instrument

** non-condensing conditions

Technical Specifications

	WPT/4N 1500 H3.LD*	WPT/4N 300 H4.LD	WPT/4N 600 H4.LD*
Maximum capacity [Max]	1500 kg	300 kg	600 kg
Minimum capacity	10000 g	2000 g	4000 g
Readability [d]	500 g	100 g	200 g
Max readability for non-verified scale	100 g	50 g	50 g
Verification unit [e]	500 g	100 g	200 g
Tare range	-1500 kg	-300 kg	-600 kg
Verification	Yes	Yes	Yes
OIML class	III	III	III
Design material	AISI304 stainless steel	AISI304 stainless steel	AISI304 stainless steel
Weighing pan material	AISI304 stainless steel	AISI304 stainless steel	AISI304 stainless steel
Indicator fastening	3 m cable	3 m cable	3 m cable
Display	LCD (with backlight)	LCD (with backlight)	LCD (with backlight)
Keyboard	5 keys	5 keys	5 keys
Indicator	PUE C/31H	PUE C/31H	PUE C/31H
Ingress protection - design	IP 68	IP 68	IP 68
Ingress protection - indicator	IP 68/69	IP 68/69	IP 68/69
RS 232	1	1	1
Power supply	100 ÷ 240 V AC 50 ÷ 60 Hz / 12 V DC + battery	100 ÷ 240 V AC 50 ÷ 60 Hz / 12 V DC + battery	100 ÷ 240 V AC 50 ÷ 60 Hz / 12 V DC + battery
Battery operation time	45 hours	45 hours	45 hours
Power consumption	6 W	6 W	6 W
Operating temperature	-10 ÷ +40 °C	-10 ÷ +40 °C	-10 ÷ +40 °C
Relative humidity**	10 ÷ 85%	10 ÷ 85%	10 ÷ 85%
Transport and storage temperature	-10 ÷ +50 °C	-10 ÷ +50 °C	-10 ÷ +50 °C
Weighing pan dimensions	1200 × 1500 mm	1500 × 1500 mm	1500 × 1500 mm
Indicator dimensions	226 × 250 × 120 mm	226 × 250 × 120 mm	226 × 250 × 120 mm
Net weight	230 kg	270 kg	270 kg
Gross weight	270 kg	310 kg	310 kg
Packaging dimensions	174 × 189 × 55 cm	204 × 190 × 55 cm	204 × 190 × 55 cm

* option: dual range weighing instrument

** non-condensing conditions

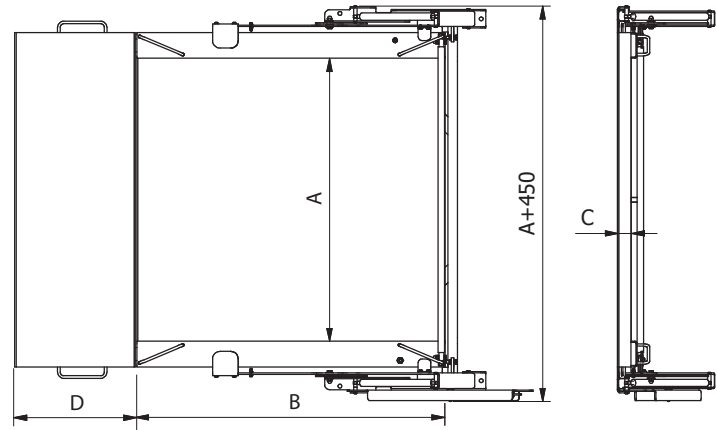
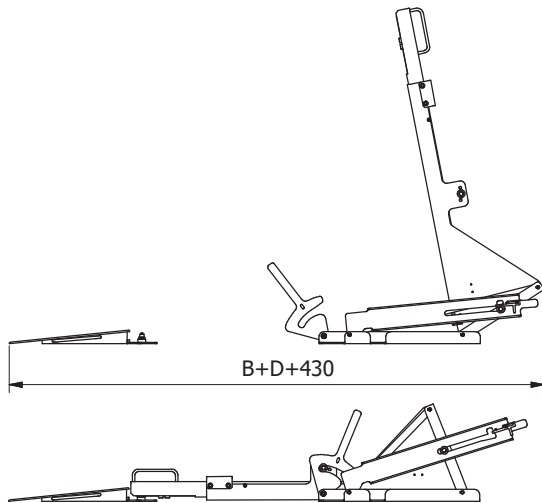
Technical Specifications

	WPT/4N 1500 H4.LD*
Maximum capacity [Max]	1500 kg
Minimum capacity	10000 g
Readability [d]	500 g
Max readability for non-verified scale	100 g
Verification unit [e]	500 g
Tare range	-1500 kg
Verification	Yes
OIML class	III
Design material	AISI304 stainless steel
Weighing pan material	AISI304 stainless steel
Indicator fastening	3 m cable
Display	LCD (with backlight)
Keyboard	5 keys
Indicator	PUE C/31H
Ingress protection - design	IP 68
Ingress protection - indicator	IP 68/69
RS 232	1
Power supply	100 ÷ 240 V AC 50 ÷ 60 Hz / 12 V DC + battery
Battery operation time	45 hours
Power consumption	6 W
Operating temperature	-10 ÷ +40 °C
Relative humidity**	10 ÷ 85%
Transport and storage temperature	-10 ÷ +50 °C
Weighing pan dimensions	1500 × 1500 mm
Indicator dimensions	226 × 250 × 120 mm
Net weight	270 kg
Gross weight	310 kg
Packaging dimensions	204 × 190 × 55 cm

* option: dual range weighing instrument

** non-condensing conditions

Dimensions



	A [mm]	B [mm]	C [mm]	D [mm]
WPT/4N 150 H1	840	860	45	426
WPT/4N 300 H1	840	860	45	426
WPT/4N 600 H1	840	860	45	426
WPT/4N 300 H2	1100	1200	45	426
WPT/4N 600 H2	1100	1200	45	426
WPT/4N 300 H3	1200	1500	45	426
WPT/4N 600 H3	1200	1500	45	426
WPT/4N 1500 H2	1100	1200	52	476
WPT/4N 1500 H3	1200	1500	52	476
WPT/4N 300 H4	1500	1500	52	476
WPT/4N 600 H4	1500	1500	52	476
WPT/4N 1500 H4	1500	1500	52	476

Accessories

Peripheral Devices

- Epson dot matrix printer
- LCD – WD-4/3 display (backlit)
- WWG-2/3 large-size display

Cables, Converters

- RS 232 – PT0259 cable (scale - indicator)
- RS 232 – PT0326 cable (indicator– indicator)
- RS-232 – P0151 Epson printer cable

- RS232 – KR-04-2 converter
- RS232 – KR-04-3 converter
- AP2-3 current loop unit (in stainless steel housing)
- external power supply - K0046D (for PUE C/31H/Z)
- K0047 – cigarette lighter cable

Remaining Accessories

- stands for indicators

Dedicated Software

R-LAB

- collecting measurements
- statistical analysis of measurements
- customized graphs and reports

LabView Driver

- operation of RADWAG scales in LabView environment

Scale Editor

- Software designed to enable change of parameters in the PUEC/31 indicator.

Radwag Development Studio

- presentation of functions (and subfunctions) of communication protocol (Common Communication Protocol)
- possibility of connection with weighing equipment on which each function is carried out,
- library with mass control, contained within the development environment
- complete documentation of the communication protocol
- set of user manuals for different solutions addressed for programmers employed in companies using RADWAG-manufactured weighing equipment

RADWAG Connect

- establishing communication with all balances, scales and weighing modules using Common Communication Protocol
- communication via local network,
- support of basic functions
- auto searching for devices
- connecting with few devices simultaneously, swapping between them
- clear list of connected platforms
- record of measurements in the program,
- export of carried out measurements to CSV file,
- work performed using freely selected device with Windows 10 operating system

RAD KEY

- Establishing scale-computer cooperation

R.Barcode

- The basic function of the software is presentation of the data sent by barcode scanners connected to PC via USB or RS232