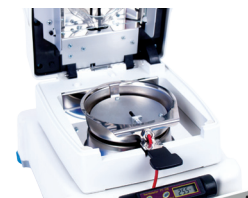


GT105K 12/Z Control Thermometer

Control thermometer enables monitoring of temperature inside the moisture analyzer's drying chamber.



GT105K 12/Z control thermometer



Control thermometer placed in the 3Y moisture analyzer's drying chamber



Thermometer indicator with control keys and a display

Features

Additional Control

Control thermometer verifies whether the temperature displayed on the moisture analyzer screen is the same as the actual temperature in the drying chamber.

Greater Precision

The thermometer enables increased control of the sample temperature and ensures supervision over the drying process.

Compatible With

- MA X2, MA R moisture analyzers

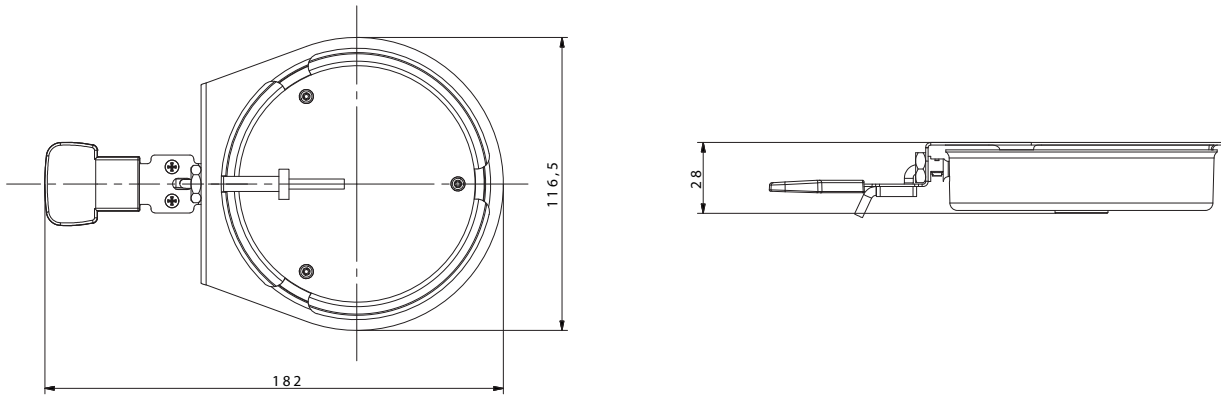
Set Contains

- Thermometer
- Weighing pan
- Cable

Technical Specifications

Resolution	within $-70 \div 199.9\text{ }^{\circ}\text{C}$ — $0.1\text{ }^{\circ}\text{C}$, above $199.9\text{ }^{\circ}\text{C}$ - $1.0\text{ }^{\circ}\text{C}$
Measurement accuracy depending on sensor accuracy class	$\pm 0.9\text{ }^{\circ}\text{C}$ for $-70 \div 0\text{ }^{\circ}\text{C}$ $\pm 1.0\text{ }^{\circ}\text{C}$ for $0 \div 100\text{ }^{\circ}\text{C}$ $\pm 1.5\text{ }^{\circ}\text{C}$ for $100 \div 200\text{ }^{\circ}\text{C}$ $\pm 3.0\text{ }^{\circ}\text{C}$ for $200 \div 400\text{ }^{\circ}\text{C}$
Continuous operation time	80 hours
Power supply	Batteries $3 \times 1.5\text{V LR44}$
Weighing indicator dimensions	$l = 120\text{ mm}$, $\varnothing = 26\text{ mm}$
Indicator-thermometer cable length	900 mm
Net/gross weight - set	200 g / 470 g
Packaging dimensions	$230 \times 170 \times 45\text{ mm}$

Dimensions



GT105K 12/Z control thermometer