



More information on the website
radwag.com/en/info,w1,YZ5

PUE 7.1.32.HRP High Resolution Scale



PUE 7.1.32.HRP High Resolution Scale

The drawings, photos and graphics used are for illustrative purposes only.

Datasheet

	PUE 7.1.32.HRP High Resolution Scale
Metrological parameters	
Maximum capacity [Max]	32 kg
Minimum load	5 g
Preload range	4 kg
Readability [d]	0,1 g
Tare range	-32 kg
Repeatability	0,1 g
Linearity	±0,3 g
Stabilization time	2 s
Adjustment	internal (automatic)
Physical parameters	
Display	5,7" Resistiv-Farb-Touchscreen
Protection class	IP 66/67 construction, IP 43 indicator
Weighing pan dimensions	360×280 mm
Device dimensions	360×313×170 mm
Packaging dimensions	560×473×360 mm
Net weight	24,7 kg
Gross weight	28,7 kg
Communication interface	
Communication interface	2×RS232, 2×USB-A, Ethernet, 4 IN / 4 OUT (digital), Wi-Fi
Electrical parameters	
Power supply	100 – 240 V AC 50/60 Hz
Environmental conditions	
Operating temperature	+10 ÷ +40 °C
Relative humidity	40% ÷ 80%
Construction	
Housing	construction - mild steel, weighing pan - stainless steel



Accessories

Displays

- Transponder card readers
- RS 232 cables (scale - printer)
- Barcode scanners
- RS 232 cables (scale - Ethernet)
- Antivibration Tables

USB Hubs

- Label Printers
- Receipt Printer
- Additional Weighing platforms Module
- RS 232 – USB Converter

Software

E2R System

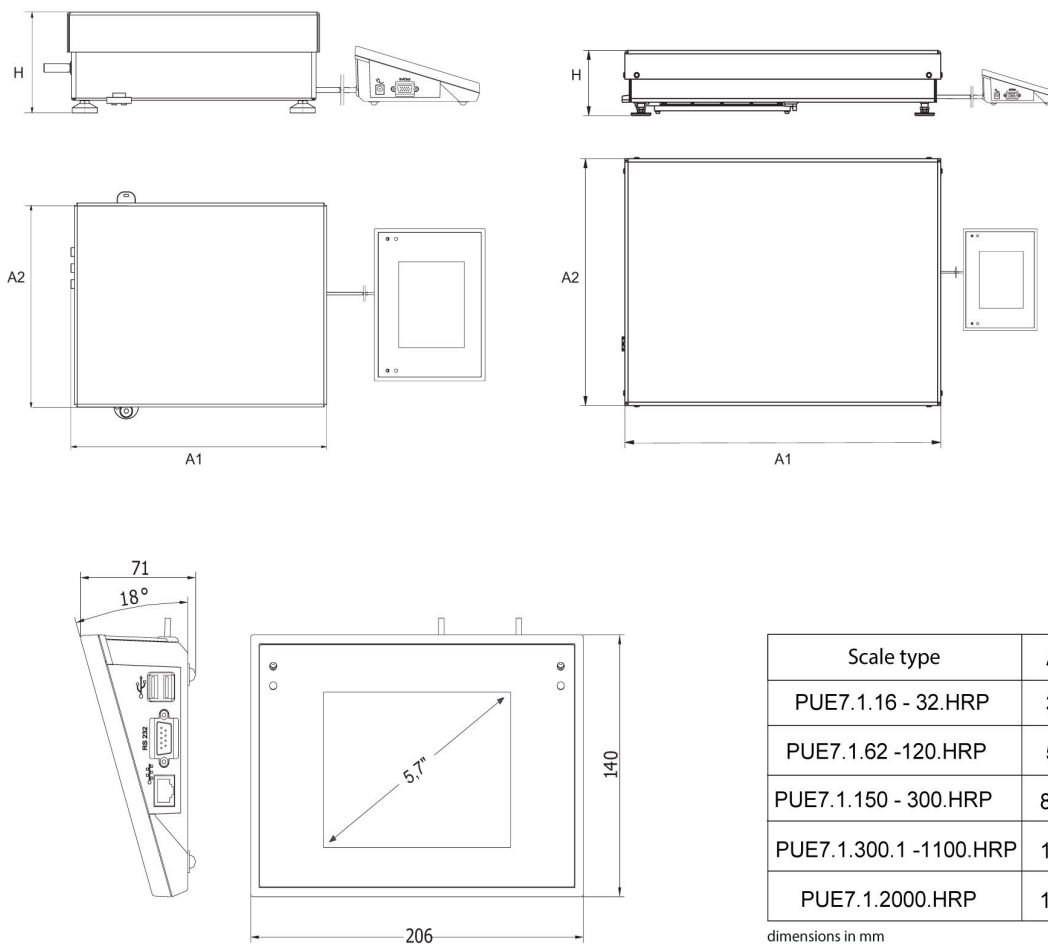
- LabVIEW Driver
- RADWAG Remote Desktop
- RADWAG Development Studio

RAD-KEY

- Label Editor R02
- R-LAB
- R.Barcode

Device dimensions

PUE 7.1.32.HRP High Resolution Scale



Scale type	A1	A2	H
PUE7.1.16 - 32.HRP	360	280	139±3
PUE7.1.62 -120.HRP	500	500	175±3
PUE7.1.150 - 300.HRP	800	600	175±3
PUE7.1.300.1 -1100.HRP	1000	800	175±3
PUE7.1.2000.HRP	1250	1000	175±3

dimensions in mm