



More information on the website
radwag.com/en/info,w1,WUH

WAY 500.5Y.KO Mass Comparator



WAY 500.5Y.KO Mass Comparator

The drawings, photos and graphics used are for illustrative purposes only.

Datasheet

	WAY 500.5Y.KO Mass Comparator
Metrological parameters	
E1 Calibration Range	200 g ÷ 500 g
E2 Calibration Range	10 g ÷ 500 g
F1 Calibration Range	500 mg ÷ 500 g
F2 Calibration Range	1 mg ÷ 500 g
M1 Calibration Range	1 mg ÷ 500 g
M2 Calibration Range	1 mg ÷ 500 g
Maximum capacity [Max]	520 g
Readability [d]	0,01 mg
Standard repeatability [5% Max]	0,012 mg
Standard repeatability [Max]	0,02 mg
Permissible repeatability	0,035 mg
Eccentricity (tested load)	1d / 1 mm
Electric compensation range	-10 g ÷ +20 g
Stabilization time	30 s
Adjustment	internal
Physical parameters	
Display	10" graphic colour touchscreen
Weighing pan dimensions	ø50 mm
Weighing device dimensions	385×215×525 mm
Controlling device dimensions	249×170×72 mm
Anti-draft chamber dimensions	560×300×665 mm
Packaging dimensions	945×820×1260 mm
Chamber packaging size	820×850×630 mm
Net weight	37,5 kg
Gross weight	57,5 kg
Communication interface	
Communication interface	2×USB-A, USB-C, HDMI, Ethernet, Wi-Fi, Hotspot
Environmental conditions	
Operating temperature	+15 ÷ +30 °C
Operating temperature change rate	±0,5°C/12h (±0,3°C/4h)
Relative humidity	40% ÷ 60%
Relative humidity change rate	± 3 % / 4 h

Repeatability is expressed as a standard deviation determined for 6 ABBA cycles. Standard deviation is experimentally determined under ambient conditions for calibration of E1 class mass standards specified in OIML R111 (Table C.1.) document.

* Wi-Fi® is a registered trademark of Wi-Fi® Alliance.



Accessories

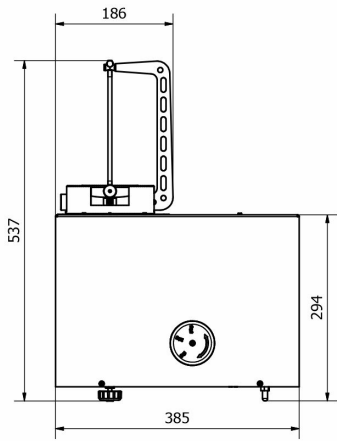
Suspended Self-Centring Weighing Pan for WAY 5Y.KO Manual Mass Comparator	Label Printers
RFID Tags	THBR 2.0 System - Ambient Conditions Monitoring
Antivibration Tables	Receipt Printer
Additional modules	Fingerprint Reader
Protective cover for balances	RS 232, RS 485 cables
Barcode scanners	RS 232 cables (scale - printer)
RS 232, RS 485 cables	

Software

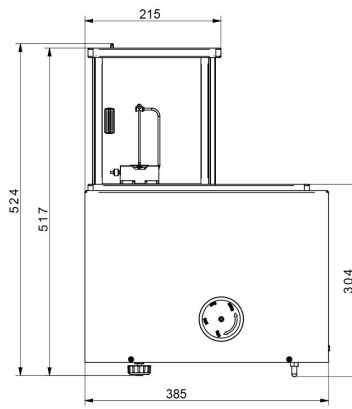
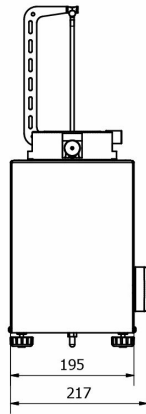
RAD-KEY	RMCS Lite
RMCS System	

Device dimensions

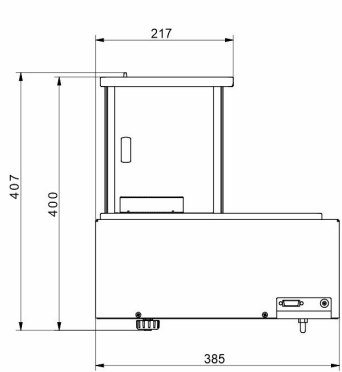
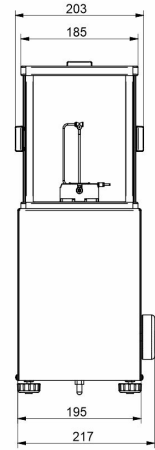
WAY 500.5Y.KO Mass Comparator



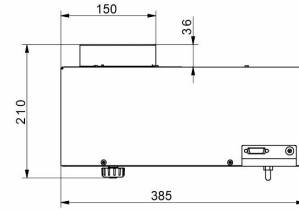
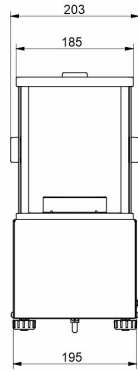
WAY 5.5Y.KO



WAY 100.5Y.KO



WAY 1200.5Y.KO



WAY 5100.5Y.KO

