



More information on the website
radwag.com/en/info,w1,UZ4

MAS.1.51.R Weighing Module, MAS.1.21.R Weighing Module, MAS.1.51.Y Weighing Module,
 MAS.1.82/220.R Weighing Module, MAS.1.82/220 Weighing Module, MAS.1.51 Weighing
 Module, MAS.1.82/220.Y Weighing Module, MAS.1.21.Y Weighing Module, MAS.1.21 Weighing
 Module



MAS.1.51.R Weighing Module
 MAS.1.21.R Weighing Module
 MAS.1.82/220.R Weighing Module



MAS.1.51.Y Weighing Module
 MAS.1.82/220.Y Weighing Module
 MAS.1.21.Y Weighing Module



MAS.1.82/220 Weighing Module
 MAS.1.51 Weighing Module
 MAS.1.21 Weighing Module

The drawings, photos and graphics used are for illustrative purposes only.

Datasheet

	MAS.1.21.Y Weighing Module WX-016-0148	MAS.1.21 Weighing Module WX-016-0146	MAS.1.21.R Weighing Module WX-016-0147
Metrological parameters			
Maximum capacity [Max]	21 g	21 g	21 g
Minimum load	1 mg	1 mg	1 mg
Preload range		2,1 g	2,1 g
Readability [d]	0,01 mg	0,01 mg	0,01 mg
Tare range	-21 g	-21 g	-21 g
Minimum weight (USP)	24 mg	24 mg	24 mg
Minimum weight (U=1%,k=2)	2,4 mg	2,4 mg	2,4 mg
Repeatability (Max)	0,025 mg	0,025 mg	0,025 mg
Repeatability (5% Max)	0,012 mg	0,012 mg	0,012 mg
Linearity	±0,06 mg	±0,06 mg	±0,06 mg
Stabilization time	6 s	6 s	6 s
Physical parameters			
Display	10" graphic colour touchscreen		5,3" LCD (backlit)
Weighing pan dimensions	ø33 mm	ø33 mm	ø33 mm
Device dimensions W x D x H	289×143×125 mm	289×143×125 mm	289×143×125 mm
Packaging dimensions W x D x H	650×340×315 mm	650×340×315 mm	650×340×315 mm
Net weight	4,7 kg	4,1 kg	4,7 kg
Gross weight	6,7 kg	6,1 kg	6 kg
Construction			
Protection class	IP 54, IP 43 terminal	IP 54	IP 54
Communication interface			
Communication interface	2×USB-A, USB-C, RS 232 (COM3), HDMI, Ethernet, Wi-Fi, Hotspot	RS232	RS232
Electrical parameters			
Power supply	100 – 240 V AC 50/60 Hz	100 – 240 V AC 50/60 Hz	100 – 240 V AC 50/60 Hz
Environmental conditions			
Operating temperature	+10 – +40 °C	+10 – +40 °C	+10 – +40 °C
Relative humidity	40% – 80%	40% – 80%	40% – 80%

Datasheet

	MAS.1.51.Y Weighing Module WX-016-0151	MAS.1.51 Weighing Module WX-016-0149	MAS.1.51.R Weighing Module WX-016-0150
Metrological parameters			
Maximum capacity [Max]	51 g	51 g	51 g
Minimum load	1 mg	1 mg	1 mg
Preload range		5,1 g	5,1 g
Readability [d]	0,01 mg	0,01 mg	0,01 mg
Tare range	-51 g	-51 g	-51 g
Minimum weight (USP)	24 mg	24 mg	24 mg
Minimum weight (U=1%,k=2)	2,4 mg	2,4 mg	2,4 mg
Repeatability (Max)	0,025 mg	0,025 mg	0,025 mg
Repeatability (5% Max)	0,012 mg	0,012 mg	0,012 mg
Linearity	±0,06 mg	±0,06 mg	±0,06 mg
Stabilization time	6 s	6 s	6 s
Physical parameters			
Display	10" graphic colour touchscreen		5,3" LCD (backlit)
Weighing pan dimensions	ø33 mm	ø33 mm	ø33 mm
Device dimensions W x D x H	289×143×125 mm	289×143×125 mm	289×143×125 mm
Packaging dimensions W x D x H	650×340×315 mm	650×340×315 mm	650×340×315 mm
Net weight	4,7 kg	4,1 kg	4,7 kg
Gross weight	6,7 kg	6,1 kg	6,7 kg
Construction			
Protection class	IP 54, IP 43 terminal	IP 54	IP 54
Communication interface			
Communication interface	2×USB-A, USB-C, RS 232 (COM3), HDMI, Ethernet, Wi-Fi, Hotspot	RS232	RS232
Electrical parameters			
Power supply	100 – 240 V AC 50/60 Hz	100 – 240 V AC 50/60 Hz	100 – 240 V AC 50/60 Hz
Environmental conditions			
Operating temperature	+10 – +40 °C	+10 – +40 °C	+10 – +40 °C
Relative humidity	40% – 80%	40% – 80%	40% – 80%

Datasheet

	MAS.1.82/220.R Weighing Module WX-016-0165	MAS.1.82/220 Weighing Module WX-016-0164	MAS.1.82/220.Y Weighing Module WX-016-0166
Metrological parameters			
Maximum capacity [Max]	82 / 220 g	82 / 220 g	82 / 220 g
Minimum load	1 mg	1 mg	1 mg
Preload range	8,2 g	8,2 g	
Readability [d]	0,01 / 0,1 mg	0,01 / 0,1 mg	0,01 / 0,1 mg
Tare range	-220 g	-220 g	-220 g
Minimum weight (USP)	40 mg	40 mg	40 mg
Minimum weight (U=1%,k=2)	4 mg	4 mg	4 mg
Repeatability (Max)	0,1 mg	0,1 mg	0,1 mg
Repeatability (5% Max)	0,02 mg	0,02 mg	0,02 mg
Linearity	±0,06 / 0,2 mg	±0,06 / 0,2 mg	±0,06 / 0,2 mg
Stabilization time	6 / 2 s	6 / 2 s	6 / 2 s
Physical parameters			
Display	5,3" LCD (backlit)		10" graphic colour touchscreen
Weighing pan dimensions	ø42 mm	ø42 mm	ø42 mm
Device dimensions W x D x H	289×143×125 mm	289×143×125 mm	289×143×125 mm
Packaging dimensions W x D x H	650×340×315 mm	650×340×315 mm	650×340×315 mm
Net weight	4,7 kg	4,1 kg	4,7 kg
Gross weight	6,7 kg	6,1 kg	6,7 kg
Construction			
Protection class	IP 54	IP 54	IP 54, IP 43 terminal
Communication interface			
Communication interface	RS232	RS232	2×USB-A, USB-C, RS 232 (COM3), HDMI, Ethernet, Wi-Fi, Hotspot
Electrical parameters			
Power supply	100 – 240 V AC 50/60 Hz	100 – 240 V AC 50/60 Hz	100 – 240 V AC 50/60 Hz
Environmental conditions			
Operating temperature	+10 – +40 °C	+10 – +40 °C	+10 – +40 °C
Relative humidity	40% – 80%	40% – 80%	40% – 80%

* Wi-Fi® is a registered trademark of Wi-Fi® Alliance.



Accessories (Additional Fee)

RS 232 cables (scale - printer)
Antivibration Tables
R Terminal (WDM-8)

RS 232, RS 485 cables
Professional Weighing Tables
RS 232 – USB Converter

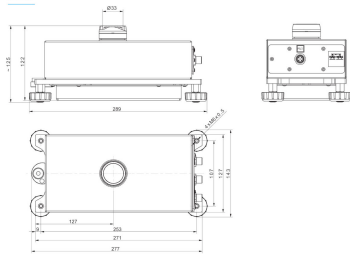
Software (Additional Fee)

RAD-KEY
R-LAB

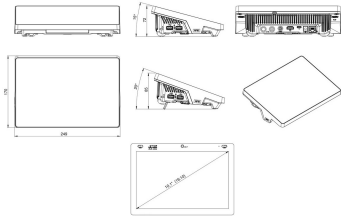
R Panel
RADWAG Development Studio

Device dimensions W x D x H

MAS.1.Y

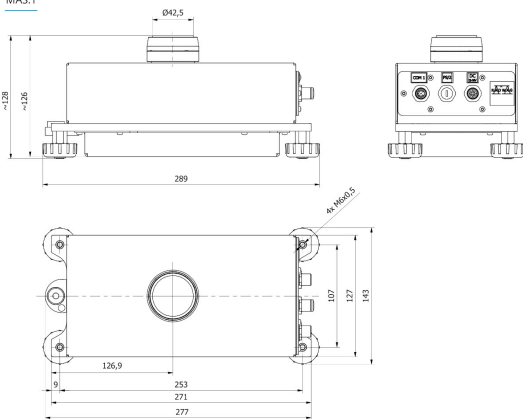


Y operator panel



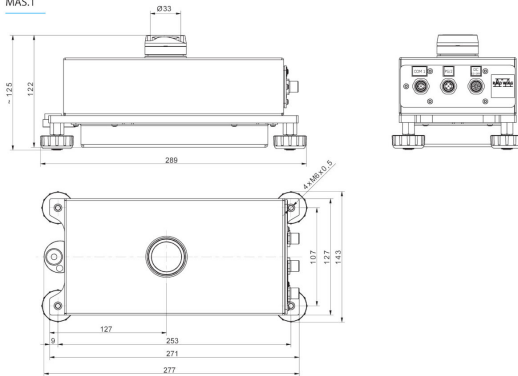
MAS.1.51.Y Weighing Module, MAS.1.21.Y Weighing Module

MAS.1



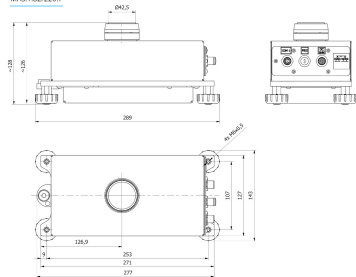
MAS.1.82/220 Weighing Module

MAS.1

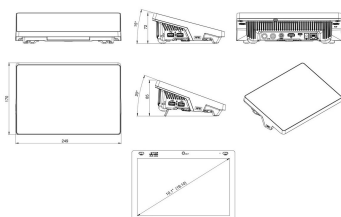


MAS.1.51 Weighing Module, MAS.1.21 Weighing Module

MAS.1.82/220.Y



Y operator panel



MAS.1.82/220.Y Weighing Module