



PS 360.R2.H Precision Balance

More information on the website  
[radwag.com/en/info,w1,LR4](http://radwag.com/en/info,w1,LR4)



PS 360.R2.H Precision Balance

The drawings, photos and graphics used are for illustrative purposes only.

## Functions



Autotest



Dosing



Percent Weighing



Totalizing



Parts counting



Peak hold



Newton unit  
measurement



Statistics



Checkweighing



GLP Procedures



Animal weighing



Density determination

# Datasheet

PS 360.R2.H Precision Balance	
<b>Metrological parameters</b>	
Maximum capacity [Max]	360 g
Minimum load	20 mg
Readability [d]	0,001 g
Tare range	-360 g
Repeatability (Max)	0,001 g
Repeatability (5% Max)	0,0005 g
Linearity	±0,002 g
Stabilization time	2 s
Adjustment	internal (automatic)
<b>Physical parameters</b>	
Leveling system	manualny
Display	LCD (backlit)
Weighing pan dimensions	ø100 mm
Packaging dimensions	475×380×345 mm
Net weight	4,2 kg
Gross weight	6,2 kg
<b>Construction</b>	
Protection class	IP 54
<b>Communication interface</b>	
Communication interface	2×RS232 <sup>1</sup> , USB-A, USB-B, Wi-Fi (option)
<b>Electrical parameters</b>	
Power supply	Adapter: 100 – 240V AC 50/60Hz 0,6A; 12V DC 1,2A Balance: 12 – 15V DC 0,4A max
Power consumption	4 W
<b>Environmental conditions</b>	
Operating temperature	+10 ÷ +40 °C
Relative humidity	40% ÷ 80%

Repeatability is expressed as a standard deviation from 10 weighing cycles. Stabilization time depends on the ambient conditions and the dynamics of weighing pan loading; specified for FAST profile. 1 Barcode scanners, available as weighing instrument accessory, communicate with the instrument via RS232 interface exclusively.

\* Wi-Fi® is a registered trademark of Wi-Fi® Alliance.



## Accessories

Antivibration Tables  
Power Adapters  
Cigarette lighter receptacle power supply cables  
USB cable (scale - printer)  
Barcode scanners  
RS 232, RS 485 cables

Displays  
Receipt Printer  
RS 232, RS 485 cables  
Protective cover for balances  
Under-pan weighing  
RS 232 cables (scale - printer)

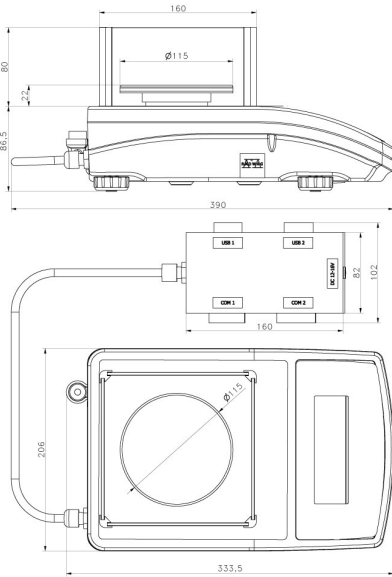
## Software

RAD-KEY

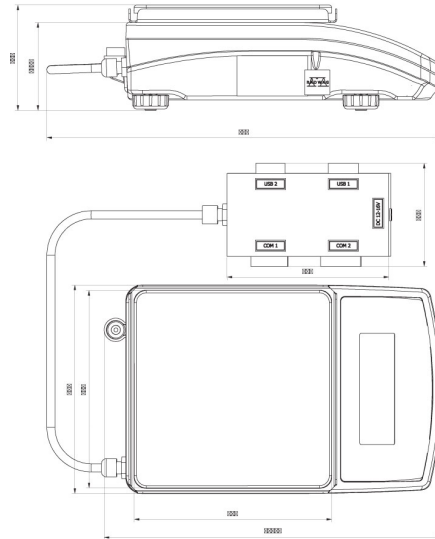
R Panel

## Device dimensions

### PS 360.R2.H Precision Balance



PS R2.H, d = 1 mg



PS R2.M.H, d = 10 mg