



More information on the website  
[radwag.com/en/info,w1,LRO](https://radwag.com/en/info,w1,LRO)

### KIT 195.M Density Determination Kit



KIT 195.M Density Determination Kit

The drawings, photos and graphics used are for illustrative purposes only.

## Overview

{{model}}



KIT 195.M is a density determination kit intended for PS M precision balances of high capacity, operating on the basis of RADWAG MonoBLOCK® technology, and featuring 195x195 weighing pan.

This stainless steel accessory allows determining density of:

- solids,
- liquids.

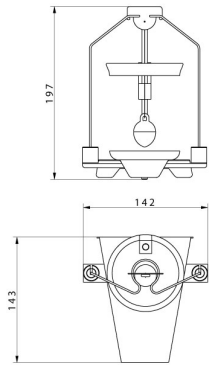
## Compatible with

PS X2 Precision Balance  
PS R2 Precision Balance

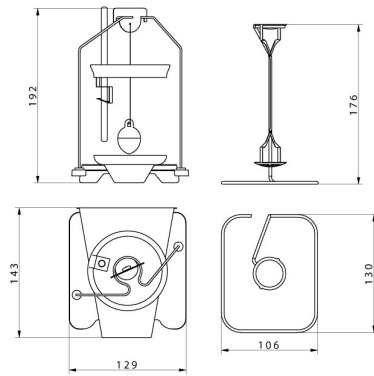
PS X7 Precision Balance  
PS R1 Precision Balance

# Device dimensions

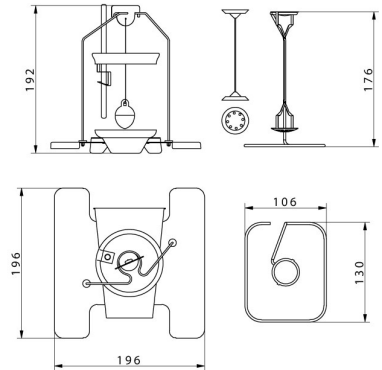
## KIT 195.M Density Determination Kit



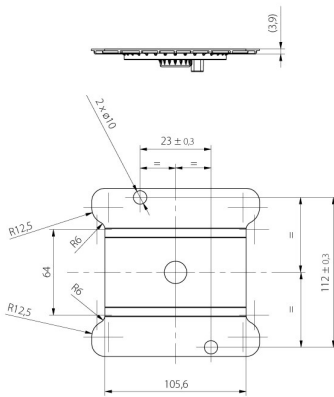
KIT 85



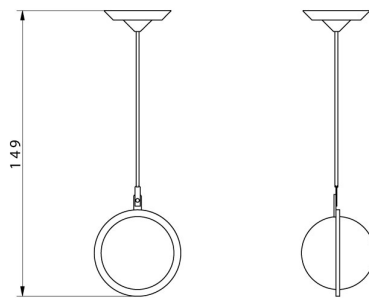
KIT 128



KIT 195



KIT 195.M



Granulte density determination KIT