



More information on the website
radwag.com/en/info,w1,KRZ

SAL/C Laboratory Antivibration Table, SAL/H Stainless Steel Laboratory Antivibration Table



SAL/C Laboratory Antivibration Table



SAL/H Stainless Steel Laboratory Antivibration Table

The drawings, photos and graphics used are for illustrative purposes only.

Datasheet

	SAL/C Laboratory Antivibration Table	SAL/H Stainless Steel Laboratory Antivibration Table
Construction		
Construction	mild steel St3S	Stainless steel AISI304
Load-bearing capacity	40 kg	40 kg
Physical parameters		
Packaging dimensions	820×711×816 mm	820×711×816 mm
Net weight	61 kg	61 kg
Gross weight	72,5 kg	65-70 kg
Length	770 mm	770 mm
Width	680 mm	680 mm
Height	815±10 mm	815±10 mm

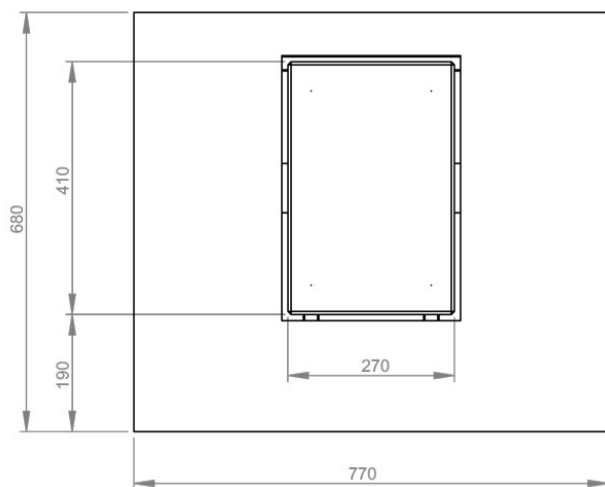
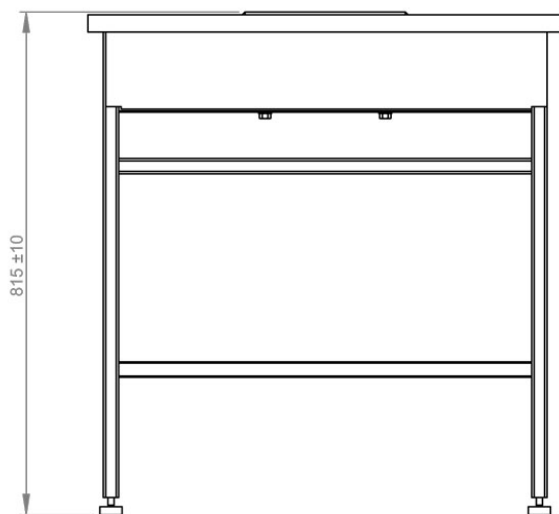
Compatible with

MA X7.IC.A Moisture Analyzer
 MUYA Modules
 MAS1 Modules
 MA 5Y Moisture Analyzer
 MA X2.IC.A Moisture Analyzers
 MA X2.A Moisture Analyzers
 MAS Modules

MPS Modules
 C32.PM Precision Balance
 MA X7.A Moisture Analyzer
 MA 5Y.IC Moisture Analyzer
 MA R Moisture Analyzer
 XA 5Y.F Analytical Balance for Filters

Device dimensions

SAL/C



SAL/H

