



MPS 6000.Y Weighing Module

More information on the website
radwag.com/en/info,w1,K57



MPS 6000.Y Weighing Module

The drawings, photos and graphics used are for illustrative purposes only.

Datasheet

	MPS 6000.Y Weighing Module
Metrological parameters	
Maximum capacity [Max]	6000 g
Readability [d]	10 mg
Tare range	-6000 g
Physical parameters	
Display	5,7" Resistive Color Touchscreen
Weighing pan dimensions	ø115 mm
Device dimensions	293×190×112 mm
Packaging dimensions	515×340×295 mm
Net weight	4,8 kg
Electrical parameters	
Power supply	100 – 240 V AC 50/60 Hz
Environmental conditions	
Operating temperature	+15 – +35 °C
Relative humidity	40% – 80%



Accessories (Additional Fee)

Antivibration Tables
 Professional Weighing Tables
 RS 232, RS 485 cables

RS 232 – USB Converter
 RS 232 cables (scale - printer)

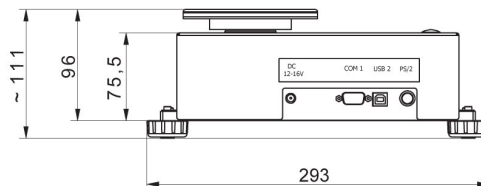
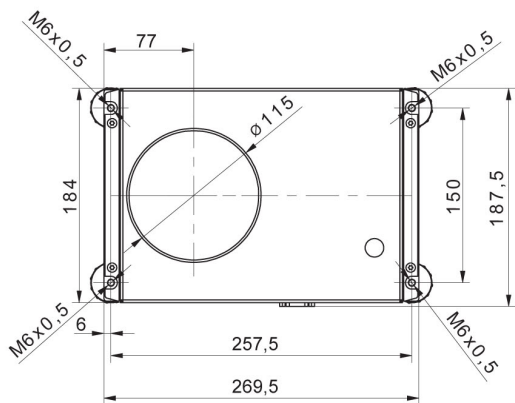
Software (Additional Fee)

RAD-KEY
R-LAB

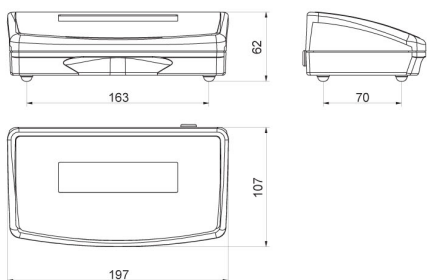
R Panel
RADWAG Development Studio

Device dimensions

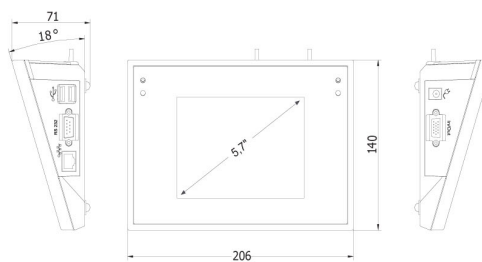
MPS 6000.Y Weighing Module



MPS



R operator panel



Y operator panel