



More information on the website
radwag.com/en/info,w1,FS4

KIT 195 Density Determination Kit



KIT 195 Density Determination Kit

The drawings, photos and graphics used are for illustrative purposes only.

Overview

{{model}}



KIT 195 is a density determination kit intended for laboratory balances featuring 195x195 weighing pan.

This stainless steel accessory allows determining density of:

- solids,
- liquids.

For testing granulates of density value higher or lower than 1 g/cm³ use KIT 85.

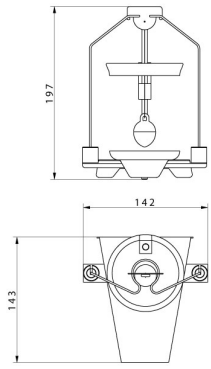
Compatible with

WLC X7 Precision Balance
 WLC Precision Balance

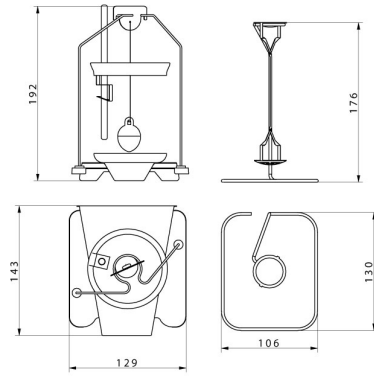
WLC C/2 Precision Balance
 PS R2 Precision Balance

Device dimensions

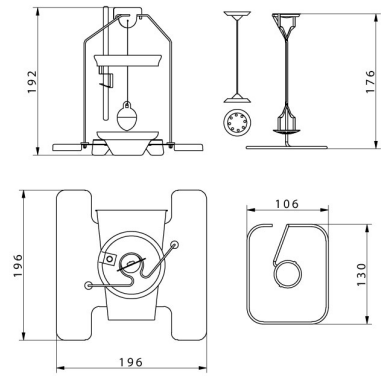
KIT 195 Density Determination Kit



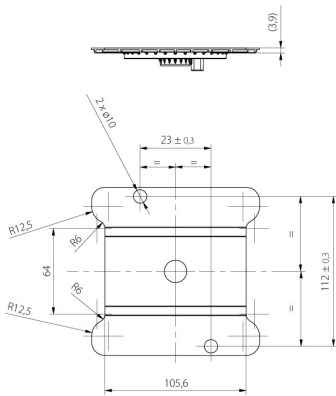
KIT 85



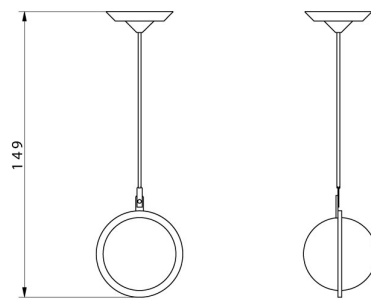
KIT 128



KIT 195



KIT 195.M



Granulte density determination KIT