



WAY 100.5Y.KO Mass Comparator

More information on the website  
[radwag.com/en/info,w1,CYJ](http://radwag.com/en/info,w1,CYJ)



WAY 100.5Y.KO Mass Comparator

The drawings, photos and graphics used are for illustrative purposes only.

## Datasheet

	WAY 100.5Y.KO Mass Comparator
<b>Metrological parameters</b>	
E1 Calibration Range	5 g ÷ 100 g
E2 Calibration Range	100 mg ÷ 100 g
F1 Calibration Range	1 mg ÷ 100 g
F2 Calibration Range	1 mg ÷ 100 g
M1 Calibration Range	1 mg ÷ 100 g
M2 Calibration Range	1 mg ÷ 100 g
Maximum capacity [Max]	110 g
Readability [d]	0,001 mg
Standard repeatability [5% Max]	2,5 µg
Standard repeatability [Max]	3 µg
Permissible repeatability	5 µg
Eccentricity (tested load)	0 mg*
Electric compensation range	-1 g ÷ +10 g
Stabilization time	30 s
Adjustment	internal
<b>Physical parameters</b>	
Display	10" graphic colour touchscreen
Weighing pan dimensions	ø30 mm
Weighing device dimensions	385×217×524 mm
Controlling device dimensions	249×170×72 mm
Anti-draft chamber dimensions	560×340×570 mm
Packaging dimensions	945×820×1260 mm
Chamber packaging size	820×850×630 mm
Net weight	36,5 kg
Gross weight	56,5 kg
<b>Communication interface</b>	
Communication interface	2×USB-A, USB-C, HDMI, Ethernet, Wi-Fi, Hotspot
<b>Environmental conditions</b>	
Operating temperature	+15 ÷ +30 °C
Operating temperature change rate	±0,5°C/12h (±0,3°C/4h)
Relative humidity	40% ÷ 60%
Relative humidity change rate	± 3 % / 4 h

Repeatability is expressed as a standard deviation determined for 6 ABBA cycles. Standard deviation is experimentally determined under ambient conditions for calibration of E1 class mass standards specified in OIML R111 (Table C.1.) document. Eccentricity (tested load) – suspended self-centring weighing pan (available as an option): 0 mg \* Eccentricity (tested load): 1 d / mm

\* Wi-Fi® is a registered trademark of Wi-Fi® Alliance.



## Accessories

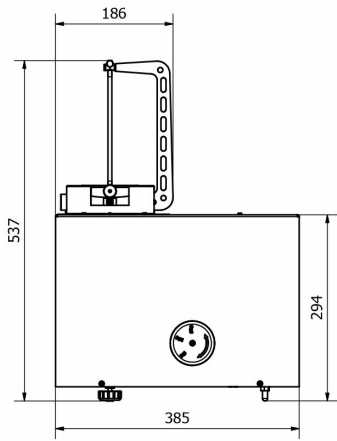
RFID Tags	Label Printers
Antivibration Tables	THBR 2.0 System - Ambient Conditions Monitoring
Suspended Self-Centring Weighing Pan for WAY 5Y.KO Manual Mass Comparator	Receipt Printer
Additional modules	Fingerprint Reader
Protective cover for balances	RS 232, RS 485 cables
Barcode scanners	RS 232 cables (scale - printer)
RS 232, RS 485 cables	

## Software

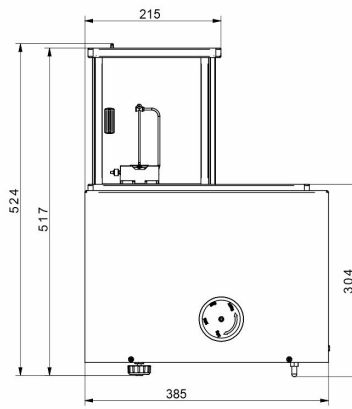
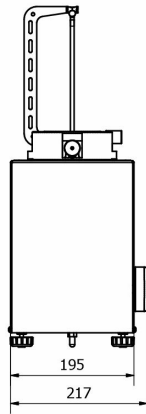
RAD-KEY	RMCS Lite
RMCS System	

## Device dimensions

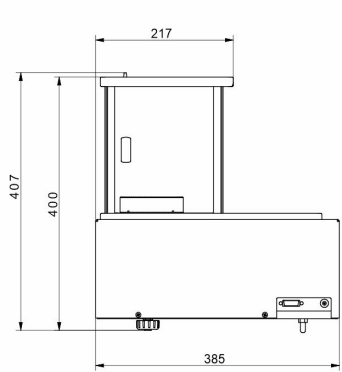
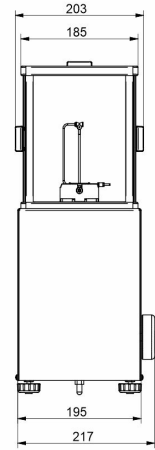
WAY 100.5Y.KO Mass Comparator



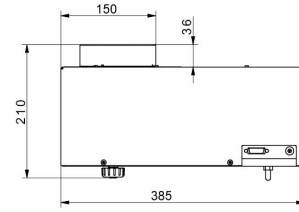
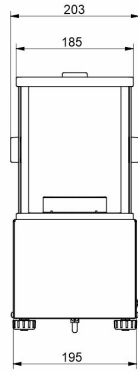
WAY 5.5Y.KO



WAY 100.5Y.KO



WAY 1200.5Y.KO



WAY 5100.5Y.KO

