



More information on the website
radwag.com/en/info,w1,B97

KIT 128 Density Determination Kit



KIT 128 Density Determination Kit

The drawings, photos and graphics used are for illustrative purposes only.

Overview

{{model}}



KIT 128 is a density determination kit intended for laboratory balances featuring 128x128 weighing pan.

This stainless steel accessory allows determining density of:

- solids,
- liquids.

For testing granulates of density value higher or lower than 1 g/cm³ use KIT 85.

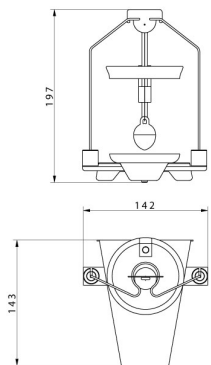
Compatible with

PS X7 Precision Balance

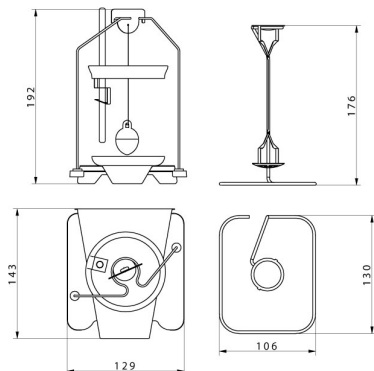
PS R1 Precision Balance

Device dimensions

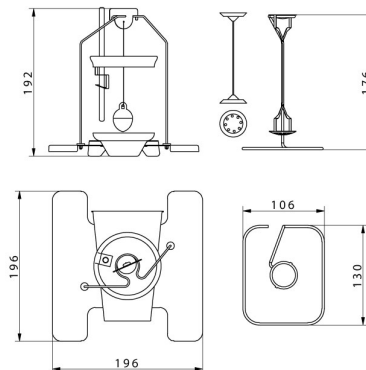
KIT 128 Density Determination Kit



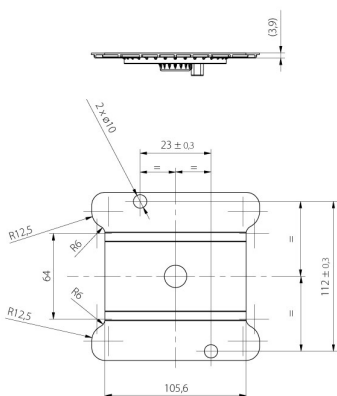
KIT 85



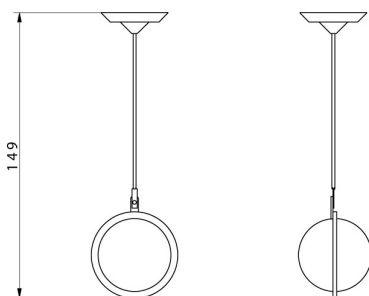
KIT 128



KIT 195



KIT 195.M



Granulte density
determination KIT