



More information on the website  
[radwag.com/en/info,w1,B5C](http://radwag.com/en/info,w1,B5C)

**PSW Professional Single Weighing Workstation**



PSW Professional Single Weighing Workstation

The drawings, photos and graphics used are for illustrative purposes only.

## Datasheet

	<b>PSW Professional Single Weighing Workstation</b>
<b>Physical parameters</b>	
<b>Delivery components</b>	table for calibration, anti-vibration table
<b>Packaging dimensions</b>	1160×820×986 mm
<b>Net weight</b>	150 kg (table 110 + stone 40)
<b>Gross weight</b>	171 kg
<b>Length</b>	1100 mm
<b>Width</b>	750 mm
<b>Height</b>	1100 mm



## Compatible with (Additional Fee)

**MAS1 Modules**

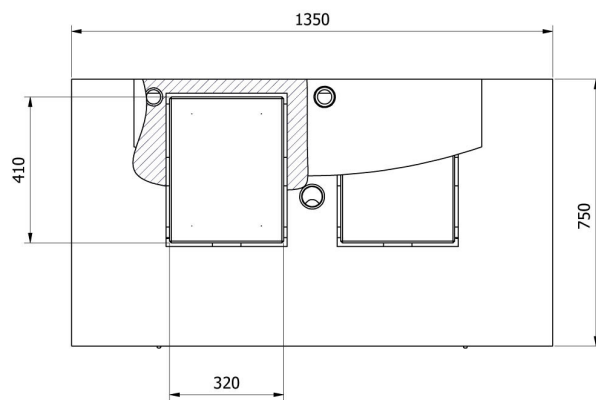
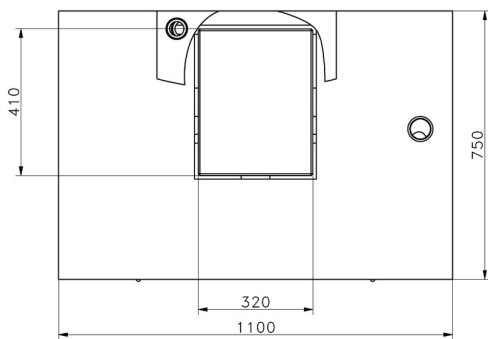
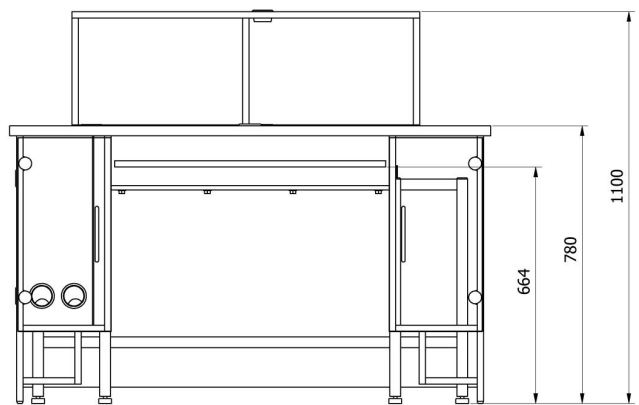
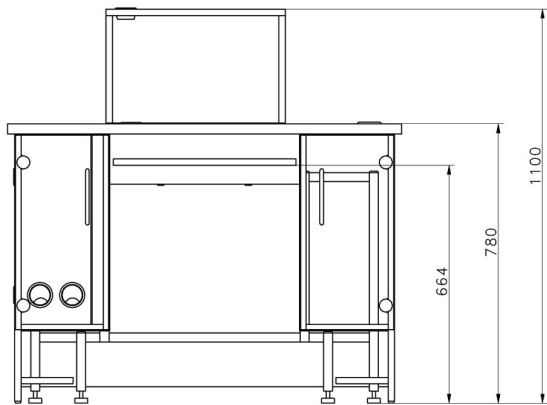
- XA 5Y.M.A.P Microbalance for pipettes calibration
- MYA 5Y.P Microbalance for pipettes calibration
- 5Y.PM Precision Balance
- MYA 5Y.F Microbalance for Filters
- AS X7 Analytical Balance
- AS X2 PLUS Analytical Balances
- XA 5Y.M.A Microbalance
- MAS Modules
- MPS Modules
- C32.PM Precision Balance
- XA 5Y.A Analytical Balance
- UYA 5Y Ultra-Microbalance

**AS 5Y Analytical Balance**

- PS 5Y Balances for PGC
- CY10 Precision Balance
- XA 5Y.F Analytical Balance for Filters
- MYA 5Y Microbalance
- XA 5Y Analytical Balance
- AS R2 PLUS Analytical Balance
- PS 5Y Precision Balance
- XA 5Y.M Microbalance
- UYA 5Y.KO Manual Mass Comparator
- AS R1 PLUS Analytical Balance
- UYA 5Y.F Ultra-Microbalance for Filters
- XA 5Y.M.A.S Microbalance for stents weighing

# Device dimensions

PSW Professional Single Weighing Workstation



—SDKP

—SDKP DUAL