



More information on the website
radwag.com/en/info,w1,8F2

KIT 85 Density Determination Kit



KIT 85 Density Determination Kit

The drawings, photos and graphics used are for illustrative purposes only.

Overview

{{model}}



KIT 85 is a density determination kit intended for laboratory balances featuring a weighing pan with $\varnothing 85$ and $\varnothing 100$ mm.

This stainless steel accessory allows determining density of:

- solids (including granulates);
- liquids.

KIT 85 features an additional set of weighing pans for testing granulate of density higher, and lower than 1 g/cm³.

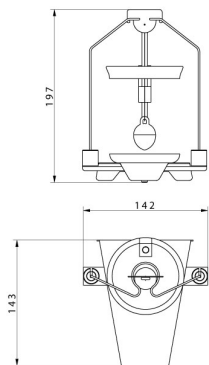
Compatible with

AS X7 Analytical Balance
 AS X2 PLUS Analytical Balances
 XA 5Y.A Analytical Balance
 AS 5Y Analytical Balance

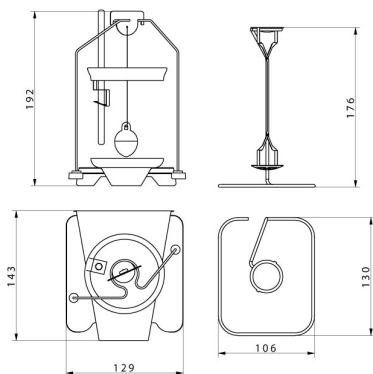
XA 5Y.F Analytical Balance for Filters
 XA 5Y Analytical Balance
 AS R2 PLUS Analytical Balance
 AS R1 PLUS Analytical Balance

Device dimensions

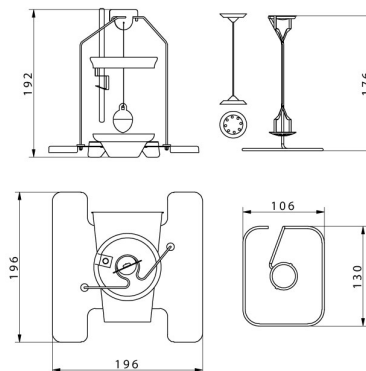
KIT 85 Density Determination Kit



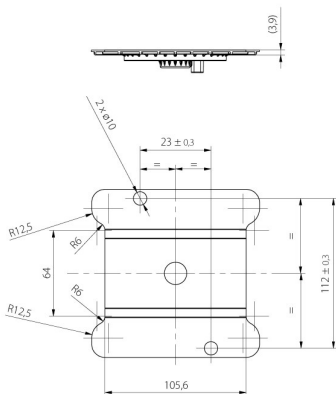
KIT 85



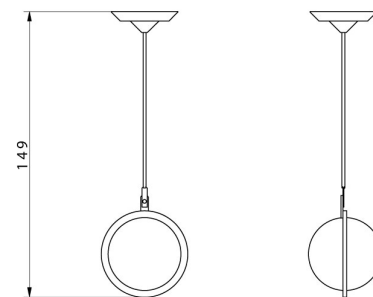
KIT 128



KIT 195



KIT 195.M



Granulte density determination KIT