



More information on the website  
[radwag.com/us/info,w1,ZYK](http://radwag.com/us/info,w1,ZYK)

# WLC 0,6/A1/C/2/IO Precision Balance



The drawings, photos and graphics used are for illustrative purposes only.

## Functions

 Plus/Minus Control

 Percent Weighing

 Totalizing

 Parts counting

 Internal battery

 Peak hold

 Newton unit measurement

## Datasheet

Maximum capacity [Max]	0,6 kg
Minimum load	0,5 g
Readability [d]	0,01 g
Verification unit [e]	0,1 g
Tare range	-0,6 kg
Repeatability	0,015 g
Linearity	±0,02 g
Stabilization time	3 s
Adjustment	internal (automatic)
OIML Class	II

Physical parameters	
Leveling system	manualny
Display	LCD (backlit)
Weighing pan dimensions	128×128 mm
Packaging dimensions	430×270×190 mm
Net weight	3,6 kg
Gross weight	4,5 kg
Construction	
Protection class	IP 43
Communication interface	2×RS232, USB-A, USB-B, 4 IN / 4 OUT
Power supply	Adapter: 100 – 240V AC 50/60Hz 0,6A; 12V DC 1,2A Balance: 10 – 15VDC 0,6A max
Operation time on batteries	15 h (average time)
Operating temperature	+15 ÷ +30 °C
Relative humidity	10% ÷ 85% RH no condensation



Extra payment for verification



## Accessories

!Balance Storage Case  
 Antivibration tables  
 Power Adapters  
 RS 232 cables (scale - printer)  
 Cigarette lighter receptacle power supply cables  
 Under-pan weighing  
 RS 232, RS 485 cables  
 Draft Shield

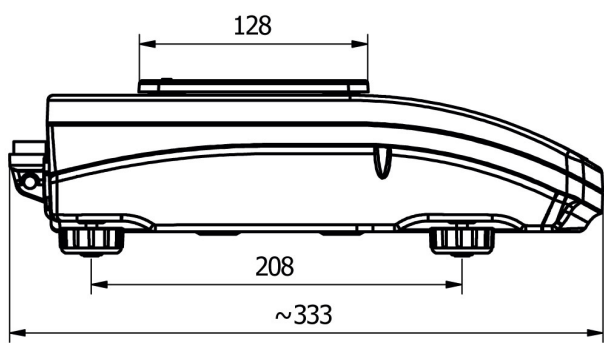
RS 232 – Ethernet Converter  
 Displays  
 Receipt Printer  
 AP2-1 Current Loop Unit  
 Protective cover for balances  
 RS 232, RS 485 cables  
 RS 232 cables (scale - printer)  
 RS 232 – RS 485 Converter

## Software

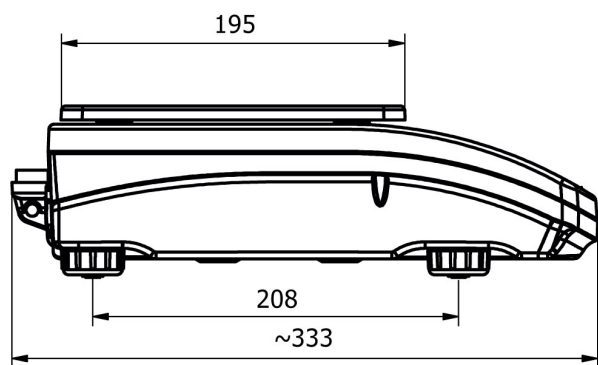
- RAD Key [WX-010-0005]
- Scale Editor - EWAG 2.1 [WX-010-0173]

- Alibi Reader PC Software [WX-010-0114]

## Device dimensions



WLC A1



WLC A2

