



More information on the website
radwag.com/de/info,w1,ZUH

Wägeplattform PL/4/600/H6/Z

WX-009-0072



The drawings, photos and graphics used are for illustrative purposes only.

Technische Daten

| Messtechnische Parameter | |
|--------------------------|-------------------|
| Wägebereich [Max] | 600 kg |
| Zifferschritt [d] | 200 g |
| Konstruktion | |
| Schutzart | IP 66 / 69 |
| Konstruktion | Edelstahl AISI304 |
| Waageschale | Edelstahl AISI304 |
| Physikalische Parameter | |
| Waageschale | 800×800 mm |
| Höhe Wägeplattform | 88 mm |
| Verpackungsgröße | 1000×1000×530 mm |

Ablesegenauigkeit – Erwartungswert, abhängig von den Parametern des verwendeten Messumformers.



Zubehör (Additional Fee)

Wägeterminal PUE 5
Wägeterminal PUE 7.1

Wägeterminal PUE HX7
Wägeterminal PUE HY10

Abmessungen des Geräts



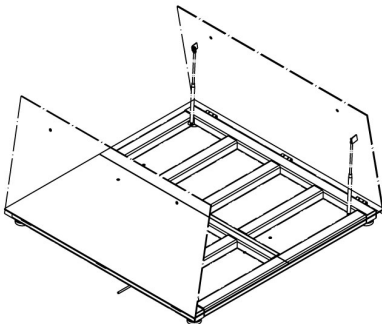
| Platform | A | B | H |
|------------|------|------|---------|
| PLC/4/C6 | 800 | 800 | 120 ±10 |
| PLC/4/C7 | 1000 | 1000 | 120 ±10 |
| PLC/4/C8 | 1200 | 1200 | 120 ±10 |
| PLC/4/C8/9 | 1200 | 1500 | 120 ±10 |
| PLC/4/C9 | 1500 | 1500 | 120 ±10 |
| PLC/4/C10 | 1500 | 2000 | 120 ±10 |
| PLC/4/C11 | 2000 | 2000 | 120 ±10 |

dimensions in mm

PLC/4/C



PL/4/H6/Z
 PL/4/H7/Z
PL/4/H8/Z



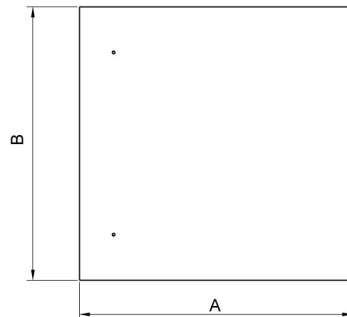
PL/4/H8/9/Z
 PL/4/H9/Z
PL/4/H10/Z



| Platform | A | B | H |
|-----------|------|------|--------|
| PL/4/H6 | 800 | 800 | 88 ±2 |
| PL/4/H7 | 1000 | 1000 | 88 ±2 |
| PL/4/H8 | 1200 | 1200 | 88 ±2 |
| PL/4/H8/9 | 1200 | 1500 | 88 ±2 |
| PL/4/H9 | 1500 | 1500 | 88 ±2 |
| PL/4/H10 | 1500 | 2000 | 111 ±2 |

dimensions in mm

PL/4/H



| Platform | A | B | H |
|-------------|------|------|--------|
| PL/4/H6/Z | 800 | 800 | 88 ±2 |
| PL/4/H7/Z | 1000 | 1000 | 88 ±2 |
| PL/4/H8/Z | 1200 | 1200 | 88 ±2 |
| PL/4/H8/9/Z | 1200 | 1500 | 88 ±2 |
| PL/4/H9/Z | 1500 | 1500 | 88 ±2 |
| PL/4/H10/Z | 1500 | 2000 | 111 ±2 |

dimensions in mm

PL/4/H/Z