



More information on the website
radwag.com/us/info,w1,Z7Y

HX7.60.HR3 Multifunctional Scale



The drawings, photos and graphics used are for illustrative purposes only.

Functions



Dosing



Percent Weighing



Parts counting



Formulation



Replaceable unit



ALIBI Memory

Datasheet

Maximum capacity [Max]	60 kg
Minimum load	400 g
Readability [d]	20 g
Verification unit [e]	20 g
Tare range	-60 kg
Max readability for non-verified scale	2 g
OIML Class	III
Physical parameters	
Display	7" graphic colour

Physical parameters	
Weighing pan dimensions	410×410 mm
Packaging dimensions	510×510×490 mm
Net weight	12,7 kg
Gross weight	16,2 kg
Construction	
Protection class	IP 68 construction, IP 66 / 68 terminal
Keypad	membrane
Construction	Stainless steel AISI316
Weighing pan material	Stainless steel AISI316
Communication interface	
Communication interface	RS232, USB-A, 4IN, 4OUT, Ethernet, Modbus RTU
Optional interfaces	USB (M12 4P), Ethernet, module RS485, module RS232, module Profibus (Dp SLAVE), PROFINET (RRJ45), EtherNet/IP (RRJ45), 12 IN, 12 OUT, 4-20mA, 0-10V
Power supply	
Power supply	100 – 240 V AC 50/60 Hz
Power consumption max.	25 W
Optional power supply	12 – 24 V DC
Operating temperature	
Operating temperature	-10 – +40 °C
Storage temperature	
Storage temperature	-10 – +50 °C
Relative humidity	10% – 80% RH no condensation
Indicator	PUE HX7
Number of buttons	22
Features of use	
Max number of platforms	2



Extra payment for verification



Accessories

RS 232 cables (scale - printer)
 Roller table
 RS 232 cables (scale - ZEBRA printer)
 Displays
 Power Adapters
 RS 232, RS 485 cables
 USB cable (scale - printer)
 IN/OUT Cables
 Barcode scanners

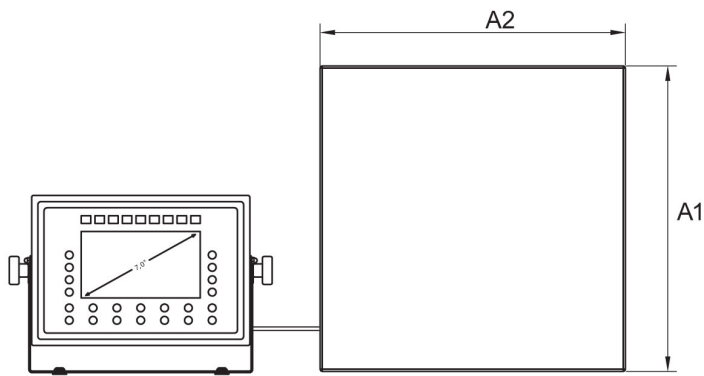
Label Printers
 Stands, wall mounting kits and mounting brackets
 Keypad, external switches
 USB adapter
 Receipt Printer
 Additional Weighing platforms Module
 RS 232 – USB Converter
 Additional modules

Software

- E2R Weighing [WX-010-0099]
- RAD Key [WX-010-0005]
- Alibi Reader PC Software [WX-010-0114]
- RADWAG Development Studio [WX-010-0104]

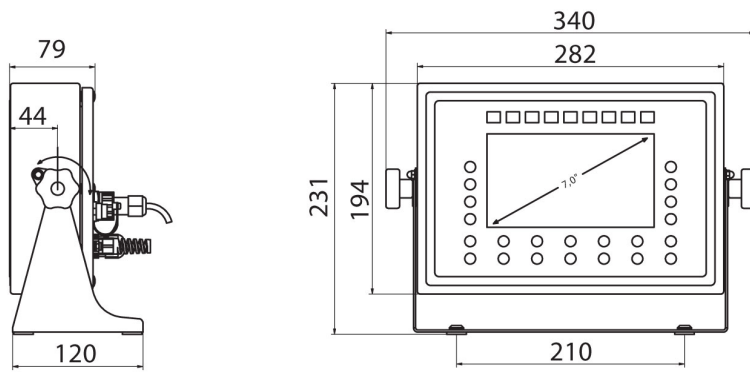
- E2R Weighing Records [WX-010-0038]
- Label Editor R02 [WX-010-0094]
- Scale Editor - EWAG 2.1 [WX-010-0173]

Device dimensions



	A1	A2	B
HX7.HR2	250	300	103±3
HX7.HR3	410	410	98±2
HX7.HR4	500	500	155±5
HX7.HR3/5	400	600	155±5
HX7.HR5	600	600	155±5

HR Platform



PUE HX7