



More information on the website
radwag.com/us/info,w1,Z06

C315.6/15.F1.K Load Cell Platform Scale



The drawings, photos and graphics used are for illustrative purposes only.

Functions

Plus/Minus Control

Percent Weighing

Totalizing

Parts counting

Internal battery

Peak hold

Newton unit measurement

GLP Procedures

Animal weighing

ALIBI Memory

Datasheet

Maximum capacity [Max]	6 / 15 kg
Minimum load	40 g
Readability [d]	2 / 5 g
Verification unit [e]	2 / 5 g
Tare range	-15 kg
OIML Class	III

Physical parameters	
Display	LCD (backlit)
Cable length	1 m
Weighing pan dimensions	300×300 mm
Packaging dimensions	570×390×170 mm
Net weight	5,2 kg
Gross weight	6 kg
Construction	
Protection class	IP 65 construction, IP 43 terminal
Construction	mild steel St3S
Weighing pan material	Stainless steel AISI304
Communication interface	RS232
Optional interfaces	RS232
Power supply	100 – 240 V AC 50/60 Hz and battery
Power consumption max.	5 W
Operation time on batteries	max 8h
Operating temperature	-10 – +40 °C
Storage temperature	-10 – +50 °C
Relative humidity	10% – 85% RH no condensation
Indicator	C315



Extra payment for verification



Accessories

Antivibration tables
 Power Adapters
 RS 232 cables (scale - printer)
 Stands, wall mounting kits and mounting brackets
 Cigarette lighter receptacle power supply cables
 Displays
 Displays
 RS 232, RS 485 cables

RS 232 – Ethernet Converter
 AP2-1 Current Loop Unit
 RS 232, RS 485 cables
 RS 232 – USB Converter
 RS 232 cables (scale - printer)
 RS 232 – RS 485 Converter
 Receipt Printer

Software

- RAD Key [WX-010-0005]
- Scale Editor - EWAG 2.1 [WX-010-0173]

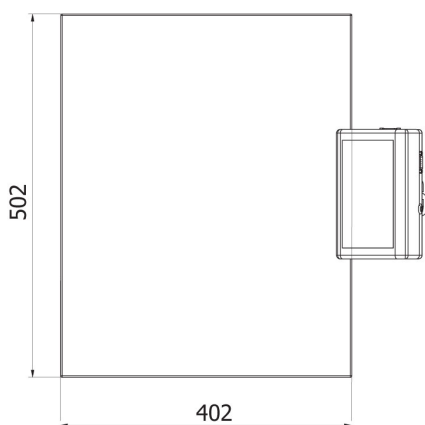
- R Panel [WX-010-0187]

Device dimensions



C315.F1.M

C315.F1.R



C315.C2.M

C315.C2.K