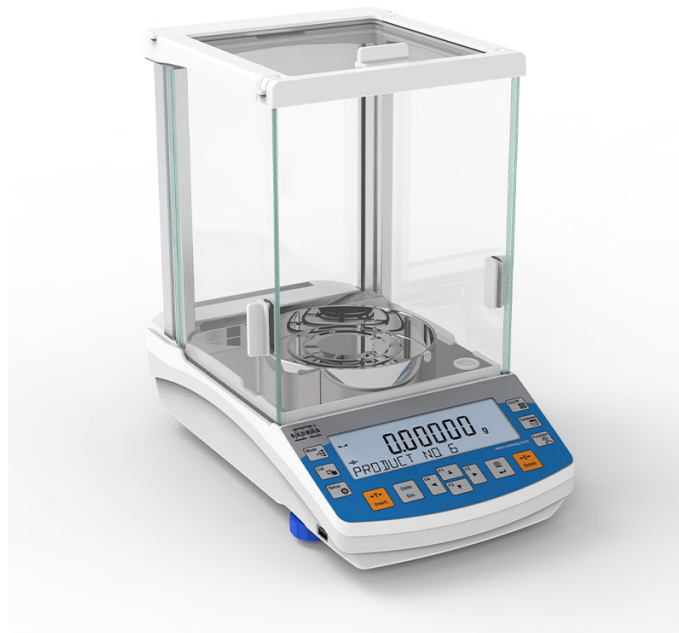




# AS 120.R2 PLUS Analytical Balance

WL-104-0191

More information on the website  
[radwag.com/en/info,w1,YXA](http://radwag.com/en/info,w1,YXA)



The drawings, photos and graphics used are for illustrative purposes only.

## Functions



Autotest



Dosing



Percent Weighing



Totalizing



Parts counting



Peak hold



Newton unit measurement



Statistics



Checkweighing



Under-pan weighing



GLP Procedures



Animal weighing



Density determination

## Datasheet

Metrological parameters	
Maximum capacity [Max]	120 g
Minimum load	1 mg
Readability [d]	0.01 mg
Verification unit [e]	1 mg
Tare range	-120 g
Standard repeatability [5% Max]	0.012 mg

<b>Metrological parameters</b>	
Standard repeatability [Max]	0.03 mg
Standard minimum weight (USP)	24 mg
Standard minimum weight (U=1%, k=2)	2.4 mg
Permissible repeatability [5% Max]	0.02 mg
Permissible repeatability [Max]	0.05 mg
Linearity	±0.07 mg
Stabilization time	2 s
Adjustment	internal (automatic)
OIML Class	I
<b>Physical parameters</b>	
Leveling system	manual
Display	LCD (backlit)
Weighing chamber doors	manual
Delivery components	Balance, weighing pan, weighing pan shield, centring ring, bottom cover, power supply, fabric dust cover.
Weighing pan dimensions	ø90 open-work pan + ø85 (option) mm
Packaging dimensions	545×455×575 mm
Net weight	7.04 kg
Gross weight	10 kg
<b>Construction</b>	
Protection class	IP 43
<b>Communication interface</b>	
Communication interface	2×RS232 <sup>1</sup> , 2×USB-A (interchangeable), USB-B, Wi-Fi (option)
<b>Electrical parameters</b>	
Power supply	Adapter: 100 – 240V AC 50/60Hz 0.6A; 12V DC 1.2A Balance: 12 – 15V DC 0.4A max
Power consumption max.	3 W
<b>Environmental conditions</b>	
Operating temperature	+10 – +40 °C
Relative humidity	40% – 80%

**Repeatability** is expressed as a standard deviation from 10 weighing cycles.

**Stabilization time** depends on the ambient conditions and the dynamics of weighing pan loading; specified for FAST profile.

<sup>1</sup> Barcode scanners, available as weighing instrument accessory, communicate with the instrument via RS232 interface exclusively.

\* Wi-Fi® is a registered trademark of Wi-Fi® Alliance.



Additional fee for verification



## Accessories (Additional Fee)

Antivibration Tables  
Power Adapters  
Cigarette lighter receptacle power supply cables

Displays  
Protective cover for balances  
Weighing dishes

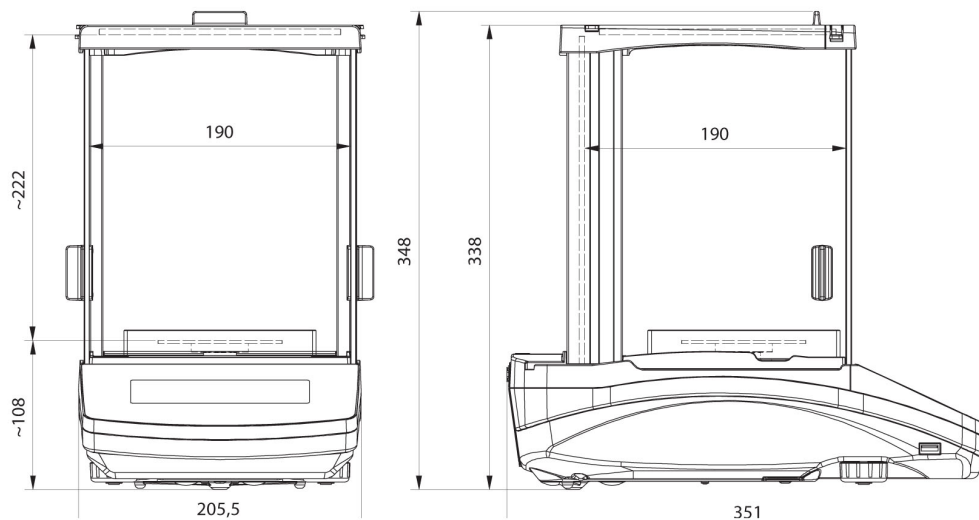
Density determination KIT  
USB cable (scale - printer)  
Professional Weighing Tables  
Barcode scanners  
Workstation for Pipettes Calibration  
RS 232, RS 485 cables

Antistatic ionizer  
Receipt Printer  
RS 232, RS 485 cables  
Under-pan weighing  
RS 232 cables (scale - printer)

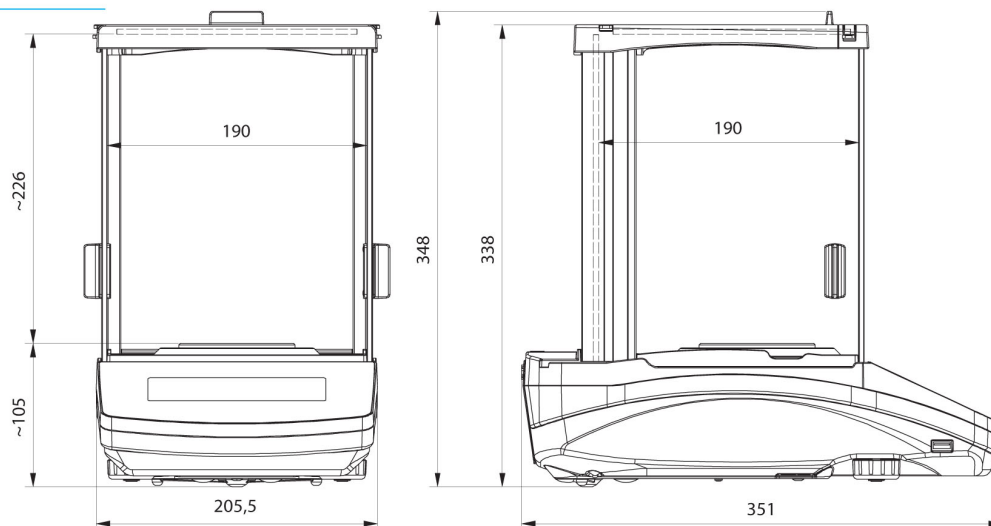
## Software (Additional Fee)

- RAD Key [WX-010-0005]
- Alibi Reader [WX-010-0114]
- RADWAG Development Studio [WX-010-0104]
- R-Panel [WX-010-0187]
- R-Lab [WX-010-0080]

## Device dimensions



AS R2, d = 0.01 mg



AS R2, AS R1 d = 0.1 mg