



More information on the website
radwag.com/us/info,w1,YPP

WAY 1.5Y.KO Mass Comparator



The drawings, photos and graphics used are for illustrative purposes only.

Datasheet

E1	500 g ÷ 1 kg
E2	100 g ÷ 1 kg
F1	10 g ÷ 1 kg
F2	1 g ÷ 1 kg
M1	1 g ÷ 1 kg
M2	1 g ÷ 1 kg
Maximum capacity [Max]	1,02 kg
Readability [d]	0,01 mg
Standard repeatability [5% Max]	0,025 mg
Standard repeatability [Max]	0,03 mg
Permissible repeatability	0,05 mg
Eccentricity (tested load)	1d / 1 mm
Electric compensation range	-10 g ÷ +20 g
Stabilization time	30 s
Adjustment	internal

Physical parameters	
Display	10" graphic colour touchscreen
Weighing pan dimensions	ø60 mm
Weighing device dimensions	385×215×525 mm
Controlling device dimensions	249×170×72 mm
Anti-draft chamber dimensions	660×470×700 mm
Packaging dimensions	860×800×550 mm
Chamber packaging size	820×850×630 mm
Net weight	38 kg
Gross weight	58 kg
Supplementary weights internal	automatic
Supplementary weights external	50 g, 30 g, 2× 10 g
Communication interface	2×USB-A, USB-C, HDMI, Ethernet, Wi-Fi, Hotspot
Operating temperature	+15 ÷ +30 °C
Operating temperature change rate	±0,5°C/12h (±0,3°C/4h)
Relative humidity	40% ÷ 60%
Relative humidity change rate	± 3 % / 4 h

* Wi-Fi® is a registered trademark of Wi-Fi® Alliance.



Accessories

Suspended Self-Centring Weighing Pan for WAY 5Y.KO Manual Mass Comparator	Label Printers
RFID Tags	THBR 2.0 System - Ambient Conditions Monitoring Receipt Printer
Antivibration tables	Fingerprint Reader
Additional modules	RS 232, RS 485 cables
Protective cover for balances	RS 232 cables (scale - printer)
Barcode scanners	
RS 232, RS 485 cables	

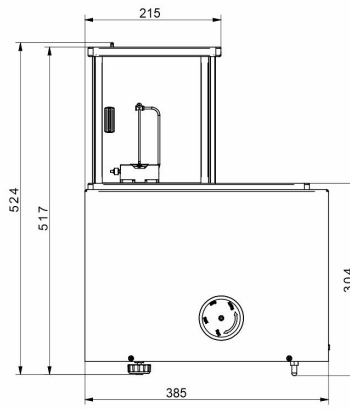
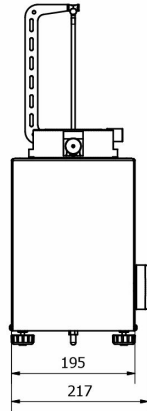
Software

• RAD Key [WX-010-0005]	• RMCS Lite [WX-010-0164]
• RMCS System Network Management of Calibration Process [WX-010-0048]	

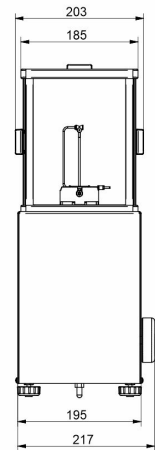
Device dimensions



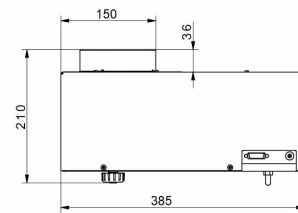
WAY 5.5Y.KO



WAY 100.5Y.KO



WAY 1200.5Y.KO



WAY 5100.5Y.KO

