



More information on the website
radwag.com/us/info,w1,XJB

H315.6/15.H2.M Waterproof Scale



The drawings, photos and graphics used are for illustrative purposes only.

Functions

 Plus/Minus Control

 Percent Weighing

 Totalizing

 Parts counting

 Internal battery

 Peak hold

 Newton unit measurement

 Animal weighing

Datasheet

| | |
|----------------------------|---------------|
| Maximum capacity [Max] | 6 / 15 kg |
| Minimum load | 40 g |
| Readability [d] | 2 / 5 g |
| Verification unit [e] | 2 / 5 g |
| Tare range | -15 kg |
| OIML Class | III |
| Physical parameters | |
| Display | LCD (backlit) |
| Weighing pan dimensions | 250×300 mm |

| Physical parameters | |
|-----------------------------|---|
| Packaging dimensions | 560×310×270 mm |
| Net weight | 9 kg |
| Gross weight | 10,3 kg |
| Construction | |
| Protection class | IP 67 construction, IP 68 (1h max)/69 terminal |
| Communication interface | RS232, USB |
| Optional interfaces | RS232 or RS485 or 4IN/4OUT or Ethernet or analog output 4-20 mA |
| Power supply | 100 – 240 V AC 50/60 Hz |
| Optional power supply | internal rechargeable battery |
| Operation time on batteries | max 7h |
| Operating temperature | -10 – +40 °C |
| Relative humidity | 10% – 85% RH no condensation |



Extra payment for verification



Accessories

RS 232 cables (scale - printer)
 Roller table
 Antivibration tables
 Displays
 RS 232 cables (scale - Ethernet)
 RS 232, RS 485 cables
 RS 232 – Ethernet Converter

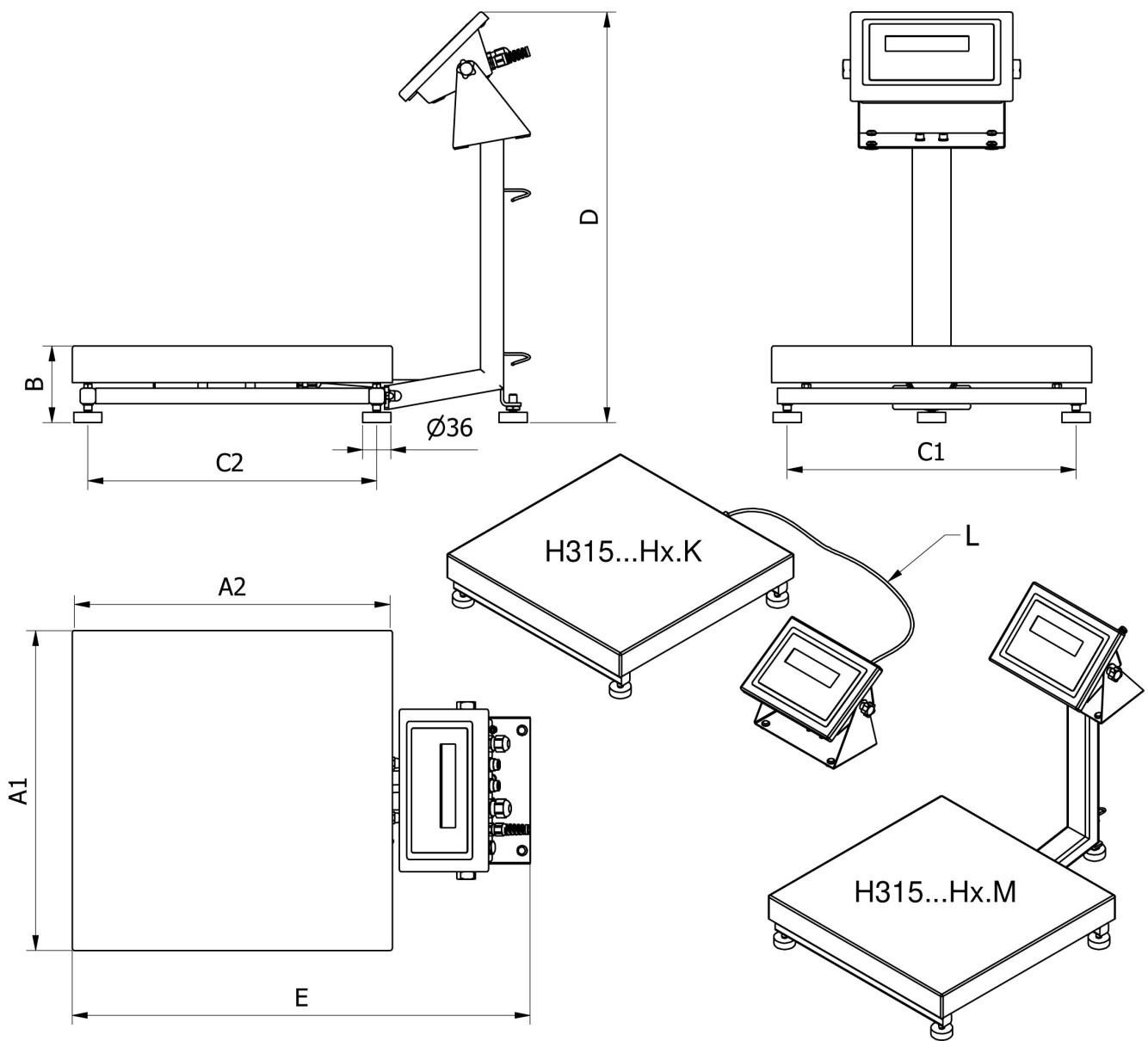
USB adapter
 Receipt Printer
 USB cable (scale - printer)
 Stands, wall mounting kits and mounting brackets
 RS 232 – USB Converter
 RS 232, RS 485 cables

Software

- RAD Key [WX-010-0005]
- Scale Editor - EWAG 2.1 [WX-010-0173]

- R Panel [WX-010-0187]

Device dimensions



| | | A1 | A2 | B | C1 | C2 | D | E | L |
|---------------|-----------|-----|-----|---------|-----|-----|------|------|------|
| H135...H1.M | 150 x 200 | 152 | 202 | 87 ± 3 | 110 | 190 | ~443 | ~361 | |
| H135...H1.K | 150 x 200 | 152 | 202 | 87 ± 3 | 110 | 146 | - | - | 1,5m |
| H315...H2.M | 250 x 300 | 246 | 306 | 104 ± 3 | 208 | 268 | ~525 | ~483 | |
| H315...H2.K | 250 x 300 | 246 | 306 | 104 ± 3 | 208 | 268 | - | - | 1,5m |
| H315...H3.M | 410 x 410 | 410 | 410 | 98 ± 2 | 370 | 370 | ~525 | ~587 | |
| H315...H3.K | 410 x 410 | 410 | 410 | 98 ± 2 | 370 | 370 | - | - | 2,5m |
| H315...H4.M | 500 x 500 | 497 | 497 | 155 ± 5 | 400 | 400 | ~767 | ~650 | |
| H315...H4.K | 500 x 500 | 497 | 497 | 155 ± 5 | 400 | 400 | - | - | 2,5m |
| H315...H3/5.M | 400 x 600 | 597 | 397 | 155 ± 5 | 500 | 300 | ~767 | ~550 | |
| H315...H3/5.K | 400 x 600 | 597 | 397 | 155 ± 5 | 500 | 300 | - | - | 2,5m |
| H315...H5.M | 600 x 600 | 597 | 597 | 155 ± 5 | 500 | 500 | ~767 | ~750 | |
| H315...H5.K | 600 x 600 | 597 | 597 | 155 ± 5 | 500 | 500 | - | - | 2,5m |
| H315...H6.M | 800 x 800 | 799 | 799 | 135 ± 5 | 720 | 740 | ~773 | ~976 | |
| H315...H6.K | 800 x 800 | 799 | 799 | 135 ± 5 | 720 | 740 | - | - | 2,5m |