



More information on the website
radwag.com/ja/info,w1,WWB

IM01.EX-8/3

WX-016-0185



The drawings, photos and graphics used are for illustrative purposes only.

XXXXXXXXXX

XXXX	
XXXXXX	IP 66 / 68 (1,5m)
XXXXXX	XXXXXXXXXXXX
ATEXXX	II (2)G [Ex ib] IIC Gb II (2)D [Ex ib] IIIC Db
XXXXXXXXXXXX	
XXXXXXXXXXXX	2×RS232, USB, 12IN / 12OUT, Ethernet, RS485
XXXXXXXXXXXX	
XX	100 – 240 V AC 50/60 Hz
XXXX max.	10 W
XXXX	
XXXX	-10 – +40 °C
XXXX	-20 – +60 °C
XXXX	10% – 85% RH XXXX

IM01.EX

IM01.EX

222×146×81 mm

IM01

1,9 kg

IM01

2,5 kg



IM01 (Additional Fee)

HX5.EX-1.4P2 H 1-Port Ethernet

HX5.EX-1 HR 1-Port Ethernet

RS 232 (M - F)

HX5.EX-1.4P2 C 1-Port Ethernet

HX5.EX-1.4N 1-Port Ethernet

HX5.EX-1.4 C 4-Port Ethernet

HX5.EX-1.4P H 1-Port Ethernet

HX5.EX-1.4 H/Z 1-Port Ethernet

HX5.EX-1 C 1-Port Ethernet

HX5.EX-1 H 1-Port Ethernet

PUE HX5.EX 1-Port Ethernet

HX5.EX-1.4 H 1-Port Ethernet 4-Port Ethernet

RS 232/RS 485

IN/OUT

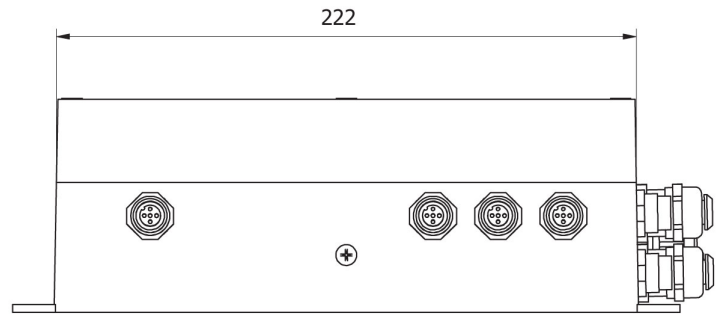
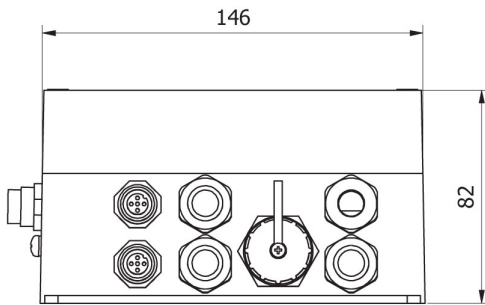
HX5.EX-1.4P C 1-Port Ethernet

USB

USB cable (M - F)

RS 232 - USB

IM01



IM01.EX