



More information on the website
radwag.com/en/info,w1,W7Q

AS 120.R1 PLUS Analytical Balance



The drawings, photos and graphics used are for illustrative purposes only.

Functions

-  Autotest
-  Dosing
-  Percent Weighing
-  Totalizing
-  Parts counting
-  Peak hold
-  Newton unit measurement
-  Statistics
-  Checkweighing
-  Under-pan weighing
-  GLP Procedures
-  Animal weighing
-  Density determination

Datasheet

Metrological parameters	
Maximum capacity [Max]	120 g
Minimum load	10 mg
Readability [d]	0.1 mg
Tare range	-120 g
Standard repeatability [5% Max]	0.06 mg
Standard repeatability [Max]	0.08 mg

Metrological parameters	
Standard minimum weight (USP)	120 mg
Standard minimum weight (U=1%, k=2)	12 mg
Permissible repeatability [5% Max]	0.09 mg
Permissible repeatability [Max]	0.1 mg
Linearity	±0.2 mg
Stabilization time	2 s
Adjustment	external
OIML Class	-
Physical parameters	
Leveling system	manual
Display	LCD (backlit)
Weighing chamber doors	manual
Delivery components	Balance, weighing pan, weighing pan shield, centring ring, bottom cover, power supply.
Weighing pan dimensions	ø90 open-work pan + ø85 (option) mm
Packaging dimensions	490×400×520 mm
Net weight	7.3 kg
Gross weight	9.3 kg
Construction	
Protection class	IP 43
Communication interface	
Communication interface	2×RS232, 2×USB-A (interchangeable), USB-B, Wi-Fi (option)
Electrical parameters	
Power supply	Adapter: 100 – 240V AC 50/60Hz 0.6A; 12V DC 1.2A Balance: 12 – 15V DC 0.4A max
Environmental conditions	
Operating temperature	+10 – +40 °C
Relative humidity	40% – 80%

Repeatability is expressed as a standard deviation from 10 weighing cycles.

Stabilization time depends on the ambient conditions and the dynamics of weighing pan loading; specified for FAST profile.

* Wi-Fi® is a registered trademark of Wi-Fi® Alliance.



Accessories

Power Adapters

Cigarette lighter receptacle power supply cables
Density determination KIT
USB cable (scale - printer)
Professional Weighing Tables
Barcode scanners
Workstation for Pipettes Calibration
RS 232, RS 485 cables

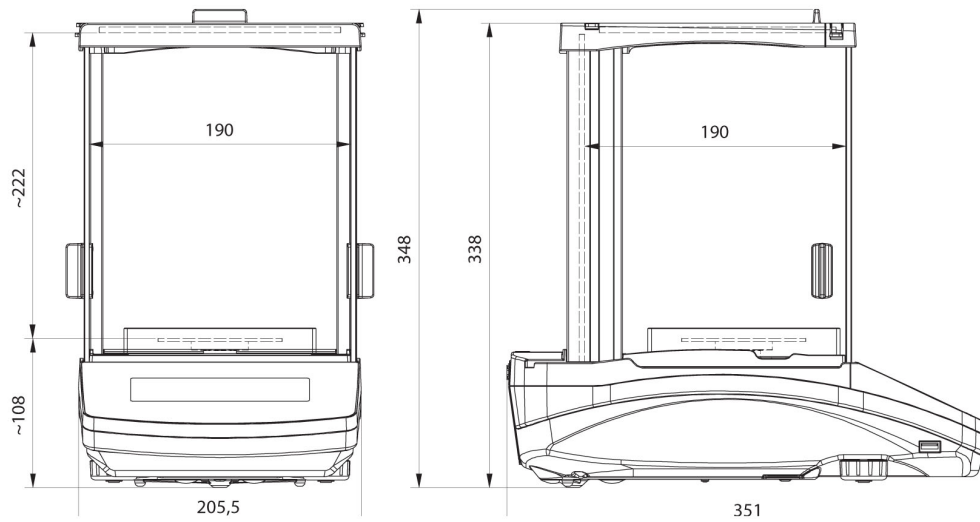
Displays

Weighing dishes
Antistatic ionizer
Receipt Printer
AP2-1 Current Loop Unit
RS 232, RS 485 cables
Under-pan weighing
RS 232 cables (scale - printer)

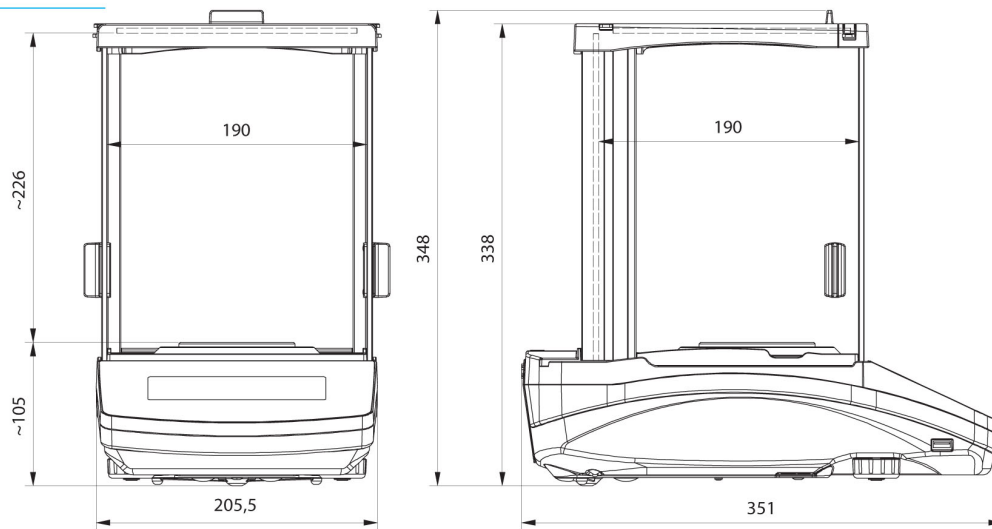
Software

- RAD Key [WX-010-0005]
- Alibi Reader [WX-010-0114]
- RADWAG Development Studio [WX-010-0104]
- R-Panel [WX-010-0187]
- R-Lab [WX-010-0080]

Device dimensions



AS R2, d = 0.01 mg



AS R2, AS R1 d = 0.1 mg