



More information on the website
radwag.com/us/info,w1,W3Y

PSW/DUAL Professional Dual Weighing Workstation



The drawings, photos and graphics used are for illustrative purposes only.

Datasheet

Physical parameters	
Delivery components	table for calibration, anti-vibration table
Packaging dimensions	1140×820×986 mm
Net weight	220 kg (table 140 + stone 80)
Gross weight	252 kg
Length	1350 mm
Width	750 mm
Height	1100 mm
Number of workstations	2



Compatible with

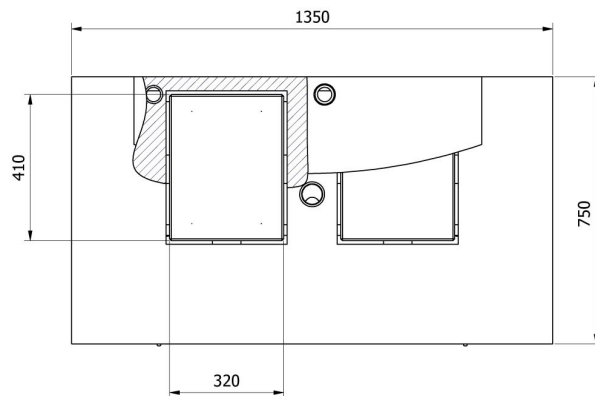
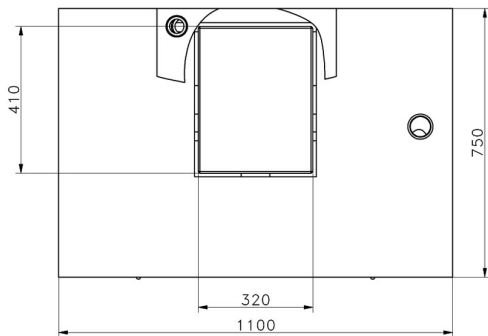
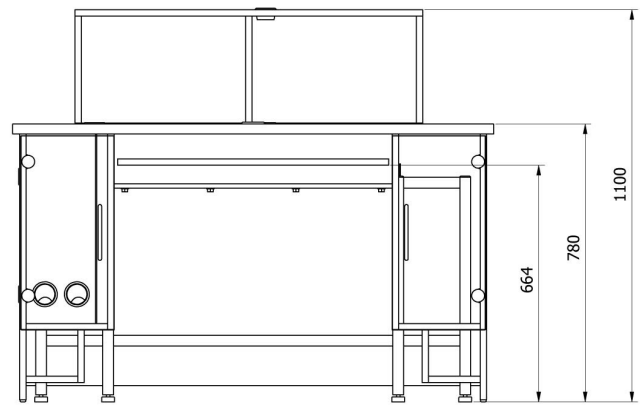
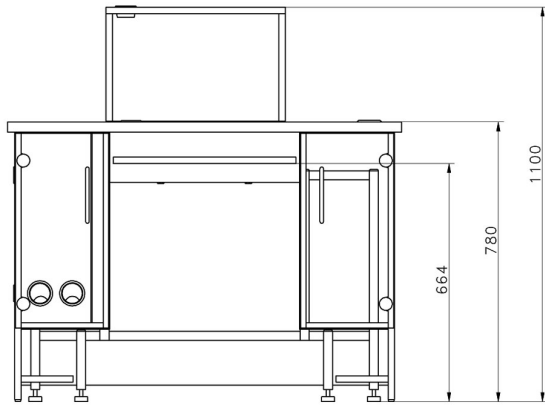
MAS1 Modules
 XA 5Y.M.A.P Microbalance
 Microbalance for Pipette Calibration MYA 5Y.P

AS 5Y Analytical Balance
 Analytical Balance for Filters XA 5Y.F
 MYA 5Y Microbalance

Microbalance for Filters MYA 5Y.F
AS X7 Analytical Balance
AS X2 PLUS Analytical Balances
XA 5Y.M.A Microbalance
MAS Modules
MPS Modules

AS R2 PLUS Analytical Balance
XA 5Y.M Microbalance
UYA 5Y.KO Manual Mass Comparator
AS R1 PLUS Analytical Balance
XA 5Y.M.A.S Microbalance

Device dimensions



—SDKP

—SDKP DUAL