



More information on the website  
[radwag.com/us/info,w1,W3Y](https://radwag.com/us/info,w1,W3Y)

# PSW/DUAL Professional Dual Weighing Workstation



The drawings, photos and graphics used are for illustrative purposes only.

## Datasheet

Physical parameters	
Delivery components	table for calibration, anti-vibration table
Packaging dimensions	1140×820×986 mm
Net weight	220 kg (table 140 + stone 80)
Gross weight	252 kg
Length	1350 mm
Width	750 mm
Height	1100 mm
Number of workstations	2



## Compatible with

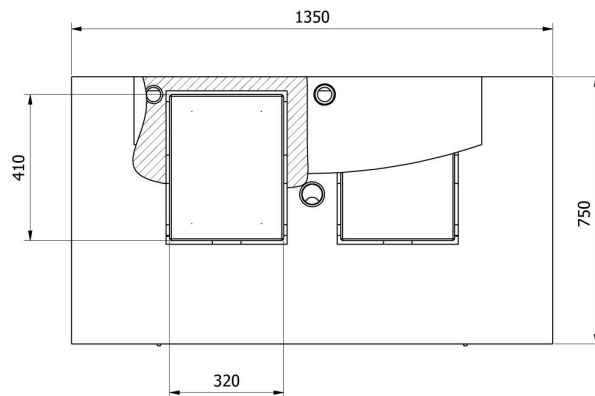
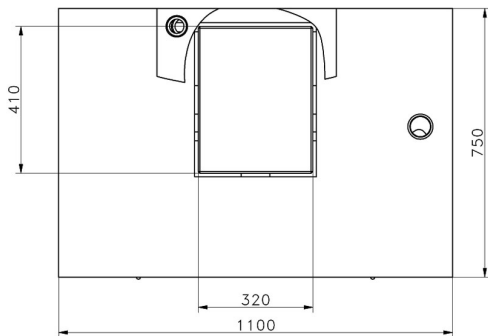
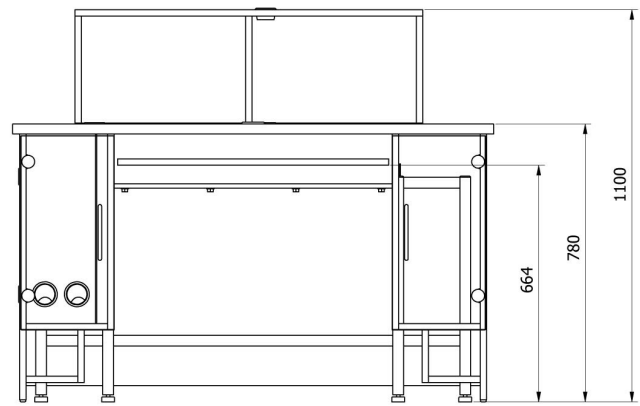
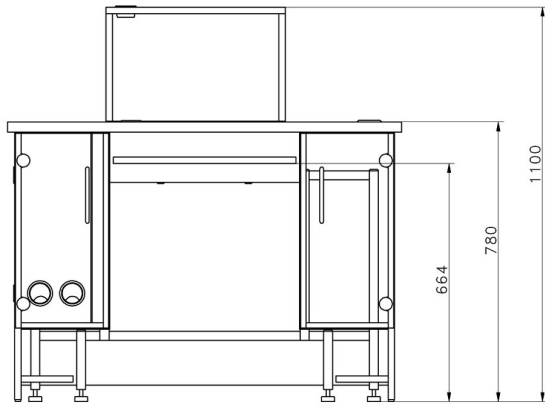
MAS1 Modules  
 XA 5Y.M.A.P Microbalance for pipettes calibration  
 MYA 5Y.P Microbalance for pipettes calibration

AS 5Y Analytical Balance  
 Analytical Balance for Filters XA 5Y.F  
 MYA 5Y Microbalance

MYA 5Y.F Microbalance for Filters  
 AS X7 Analytical Balance  
 AS X2 PLUS Analytical Balances  
 XA 5Y.M.A Microbalance  
 MAS Modules  
 MPS Modules

AS R2 PLUS Analytical Balance  
 XA 5Y.M Microbalance  
 UYA 5Y.KO Manual Mass Comparator  
 AS R1 PLUS Analytical Balance  
 XA 5Y.M.A.S Microbalance for stents weighing

## Device dimensions



—SDKP

—SDKP DUAL