



More information on the website  
[radwag.com/en/info,w1,W3Y](https://radwag.com/en/info,w1,W3Y)

# PSW/DUAL Professional Dual Weighing Workstation



The drawings, photos and graphics used are for illustrative purposes only.

## Datasheet

Physical parameters	
Delivery components	table for calibration, anti-vibration table
Packaging dimensions	1140×820×986 mm
Net weight	220 kg (table 140 + stone 80)
Gross weight	252 kg
Length	1350 mm
Width	750 mm
Height	1100 mm
Number of workstations	2



## Compatible with

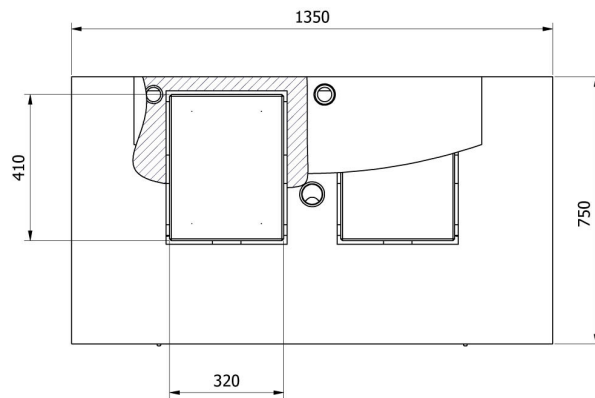
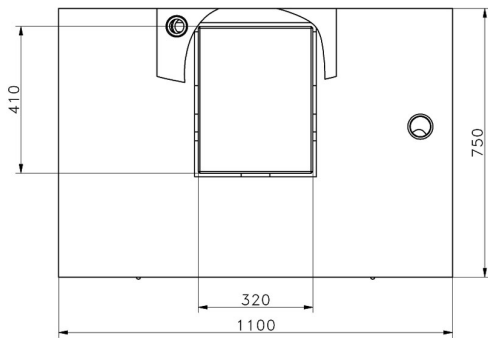
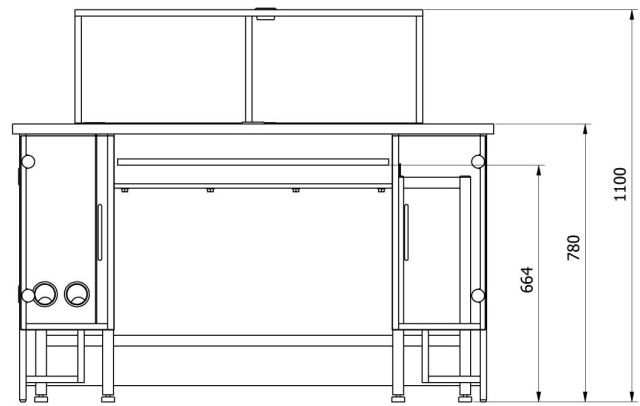
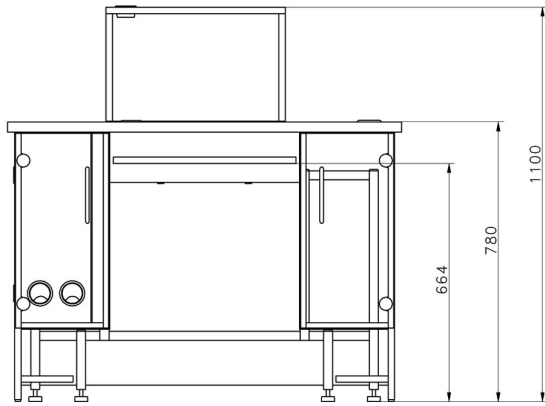
MAS1 Modules  
 XA 5Y.M.A.P Microbalance for pipettes calibration  
 Microbalance for Pipette Calibration MYA 5Y.P

AS 5Y Analytical Balance  
 XA 5Y.F Analytical Balance for Filters  
 MYA 5Y Microbalance

Microbalance for Filters MYA 5Y.F  
AS X7 Analytical Balance  
AS X2 PLUS Analytical Balances  
XA 5Y.M.A Microbalance  
MAS Modules  
MPS Modules

AS R2 PLUS Analytical Balance  
XA 5Y.M Microbalance  
UYA 5Y.KO Manual Mass Comparator  
AS R1 PLUS Analytical Balance  
XA 5Y.M.A.S Microbalance for stents weighing

## Device dimensions



—SDKP

—SDKP DUAL