



PS 210.R2 Precision Balance

WL-212-0018

More information on the website
radwag.com/us/info,w1,W30



The drawings, photos and graphics used are for illustrative purposes only.

Functions

-  Autotest
-  Dosing
-  Percent Weighing
-  Totalizing
-  Parts counting
-  Peak hold
-  Newton unit measurement
-  Statistics
-  Checkweighing
-  Under-pan weighing
-  GLP Procedures
-  Animal weighing
-  Density determination

Datasheet

Maximum capacity [Max]	210 g
Minimum load	20 mg
Readability [d]	1 mg
Verification unit [e]	10 mg
Tare range	-210 g
Standard repeatability [5% Max]	0,5 mg

Standard repeatability [Max]	1 mg
Standard minimum weight (USP)	1 g
Standard minimum weight (U=1%, k=2)	0,1 g
Linearity	±2 mg
Stabilization time	2 s
Adjustment	internal (automatic)
OIML Class	II
Sensitivity temperature drift	$2 \times 10^{-6} / ^\circ\text{C} \times \text{Rt}$
Physical parameters	
Leveling system	manual
Display	LCD (backlit)
Delivery components	Balance, weighing pan, weighing pan shield, grounding bumper ×1, bumper ×3, power supply.
Weighing pan dimensions	128×128 mm
Packaging dimensions	475×380×345 mm
Net weight	3,7 kg
Gross weight	5 kg
Construction	
Protection class	IP 43
Communication interface	2×RS232 ¹ , USB-A, USB-B, Wi-Fi (option)
Power supply	Adapter: 100 – 240V AC 50/60Hz 0,6A; 12V DC 1,2A Balance: 12 – 15V DC 0,4A max
Power consumption	4 W
Operating temperature	+10 – +40 °C
Relative humidity	40% – 80%

* Wi-Fi® is a registered trademark of Wi-Fi® Alliance.



Additional fee for verification



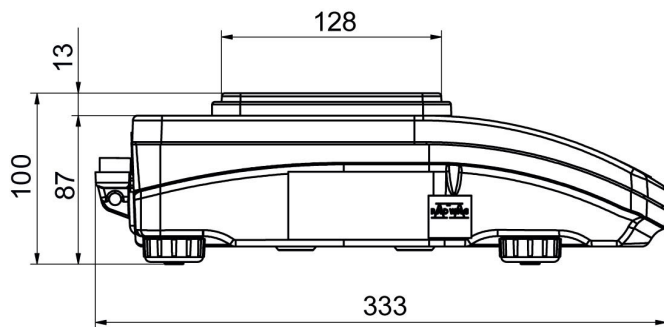
Accessories (Additional Fee)

!Balance Storage Case	RS 232, RS 485 cables
Antivibration tables	Displays
Power Adapters	Draft Shield
Cigarette lighter receptacle power supply cables	Receipt Printer
USB cable (scale - printer)	Protective cover for balances
Density determination KIT	RS 232, RS 485 cables
Barcode scanners	Under-pan weighing
Anti-draft Chamber for balances with a weighing pan 128×128mm	RS 232 cables (scale - printer)

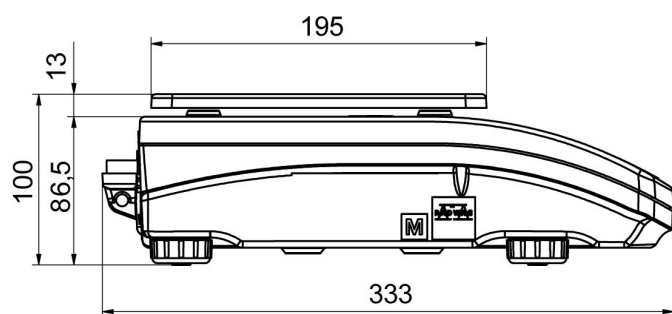
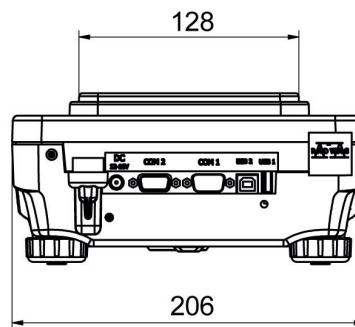
Software (Additional Fee)

- RAD Key [WX-010-0005]
- Alibi Reader PC Software [WX-010-0114]
- R Panel [WX-010-0187]
- RADWAG Development Studio [WX-010-0104]

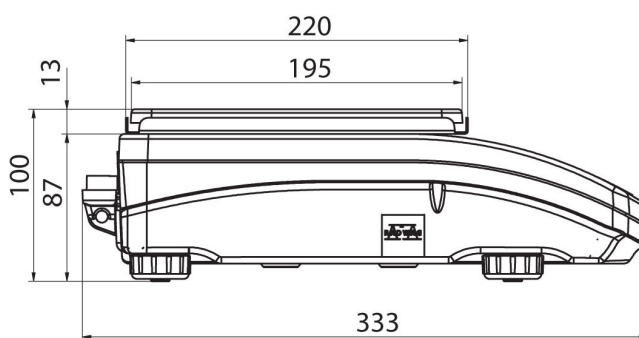
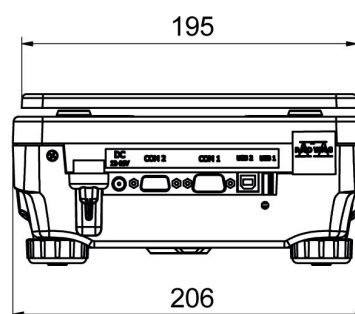
Device dimensions



PS R, d = 1mg



PS R, d = 10 mg



PS R.M, d = 10 mg

