



More information on the website  
[radwag.com/us/info,w1,UZ4](http://radwag.com/us/info,w1,UZ4)

# MAS.1.21.Y Weighing Module



The drawings, photos and graphics used are for illustrative purposes only.

## Datasheet

Maximum capacity [Max]	21 g
Minimum load	1 mg
Readability [d]	0,01 mg
Tare range	-21 g
Minimum weight (USP)	24 mg
Minimum weight (U=1%,k=2)	2,4 mg
Repeatability (Max)	0,025 mg
Repeatability (5% Max)	0,012 mg
Linearity	±0,06 mg
Stabilization time	6 s
<b>Physical parameters</b>	
Display	5,7" Resistiv-Farb-Touchscreen
Weighing pan dimensions	ø33 mm
Device dimensions	289×143×125 mm
Packaging dimensions	650×340×315 mm

Physical parameters	
Net weight	4,7 kg
Gross weight	6,7 kg
Construction	
Protection class	IP 54
Communication interface	2×RS232, 2×USB-A, Ethernet, 4 IN / 4 OUT (digital), Wi-Fi
Power supply	100 – 240 V AC 50/60 Hz
Operating temperature	+10 ÷ +40 °C
Relative humidity	40% ÷ 80%

\* Wi-Fi® is a registered trademark of Wi-Fi® Alliance.



## Accessories

Professional Weighing Tables  
 Antivibration tables  
 RS 232, RS 485 cables

RS 232 – USB Converter  
 RS 232 cables (scale - printer)

## Software

• R Panel [WX-010-0187]

## Device dimensions



MAS.1  
MAS.1.R



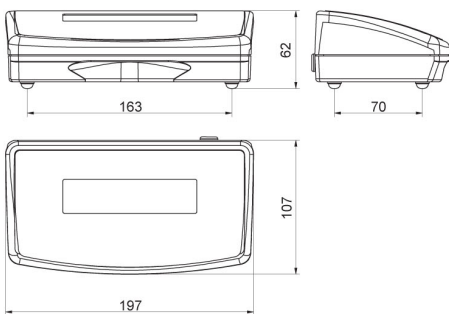
MAS.1



MAS.1.Y



MAS



R operator panel



Y operator panel