



More information on the website  
[radwag.com/en/info,w1,UZ4](http://radwag.com/en/info,w1,UZ4)

# MAS.1.21.Y Weighing Module



The drawings, photos and graphics used are for illustrative purposes only.

## Datasheet

| Metrological parameters   |                                   |
|---------------------------|-----------------------------------|
| Maximum capacity [Max]    | 21 g                              |
| Minimum load              | 1 mg                              |
| Readability [d]           | 0.01 mg                           |
| Tare range                | -21 g                             |
| Minimum weight (USP)      | 24 mg                             |
| Minimum weight (U=1%,k=2) | 2.4 mg                            |
| Repeatability (Max)       | 0.025 mg                          |
| Repeatability (5% Max)    | 0.012 mg                          |
| Linearity                 | ±0.06 mg                          |
| Stabilization time        | 6 s                               |
| Physical parameters       |                                   |
| Display                   | 5.7" resistive colour touchscreen |
| Weighing pan dimensions   | ø33 mm                            |
| Device dimensions         | 289×143×125 mm                    |
| Packaging dimensions      | 650×340×315 mm                    |

| Physical parameters      |   |
|--------------------------|---|
| Net weight               | 4.7 kg  |
| Gross weight             | 6.7 kg  |
| Construction             |   |
| Protection class         | IP 54   |
| Communication interface  |   |
| Communication interface  | 2×RS232, 2×USB-A, Ethernet, 4 IN / 4 OUT (digital), Wi-Fi |
| Electrical parameters    |   |
| Power supply             | 100 – 240 V AC 50/60 Hz                                   |
| Environmental conditions |   |
| Operating temperature    | +10 ÷ +40 °C  |
| Relative humidity        | 40% – 80%   |

\* Wi-Fi® is a registered trademark of Wi-Fi® Alliance.



## Accessories

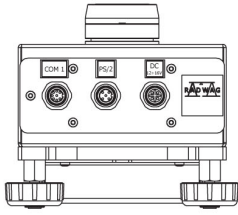
Professional Weighing Tables  
 Antivibration Tables  
 RS 232, RS 485 cables

RS 232 – USB Converter  
 RS 232 cables (scale - printer)

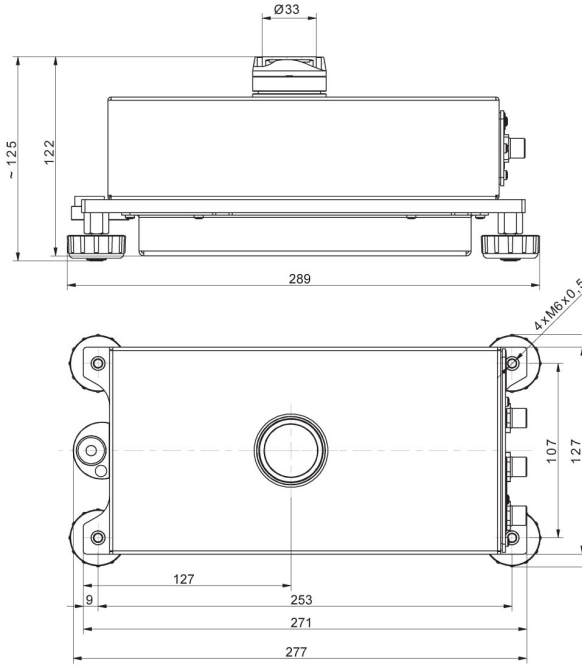
## Software

• R-Panel [WX-010-0187]

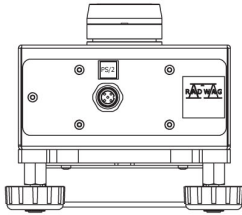
## Device dimensions



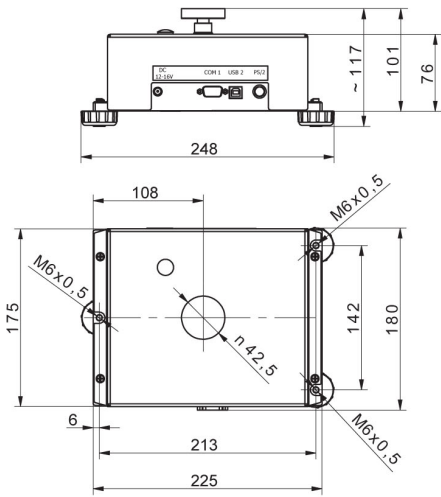
MAS.1  
MAS.1.R



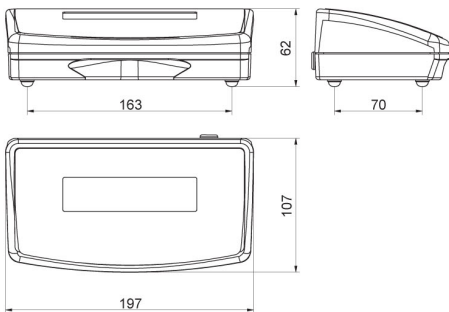
MAS.1



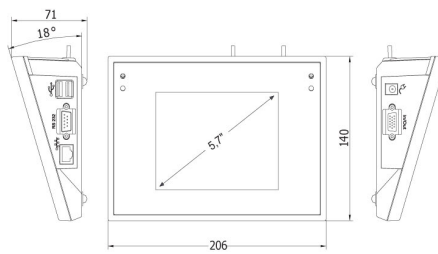
MAS.1.Y



MAS



R operator panel



Y operator panel