



More information on the website  
[radwag.com/it/info,w1,ULD](http://radwag.com/it/info,w1,ULD)

## Piattaforma PL/4/3000/H9/Z



The drawings, photos and graphics used are for illustrative purposes only.

### Foglio di calcolo

Parametri metrologici	
Capacità massima [Max]	3000 kg
Accuratezza	1 kg
Costruzione	
Punteggio IP	IP 68
Costruzione	Stainless steel AISI304
Materiale da pesata	Stainless steel AISI304
Parametri fisici	
Dimensioni del piatto di pesata	1500×1500 mm
Altezza della piattaforma	111 mm

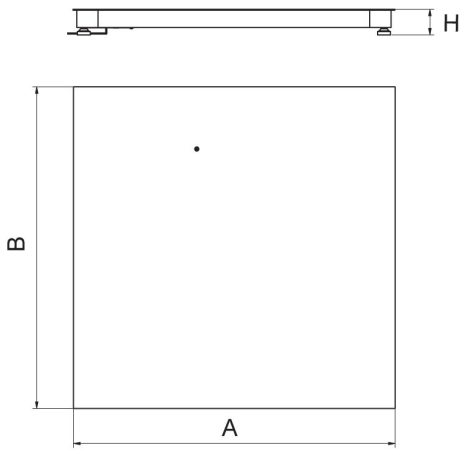


### Accessori

Terminale di pesata PUE 5  
Terminale di pesata PUE 7.1

Terminale di pesata PUE HX7  
Terminale di pesata PUE HY10

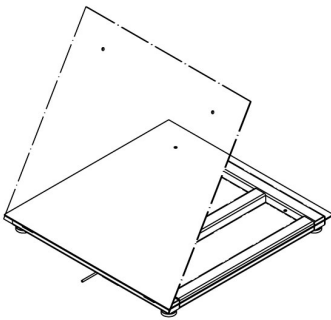
## Device dimensions



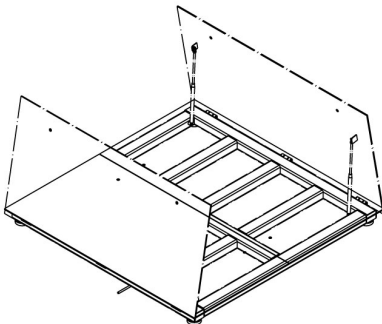
Platform	A	B	H
PLC/4/C6	800	800	120 ±10
PLC/4/C7	1000	1000	120 ±10
PLC/4/C8	1200	1200	120 ±10
PLC/4/C8/9	1200	1500	120 ±10
PLC/4/C9	1500	1500	120 ±10
PLC/4/C10	1500	2000	120 ±10
PLC/4/C11	2000	2000	120 ±10

dimensions in mm

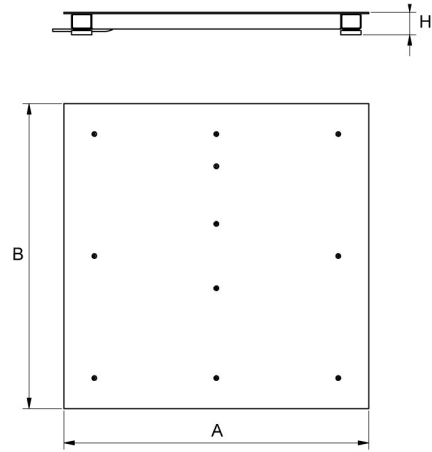
PLC/4/C



PL/4/H6/Z  
 PL/4/H7/Z  
PL/4/H8/Z



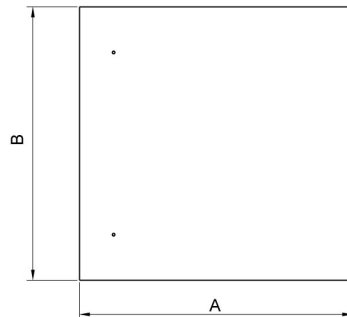
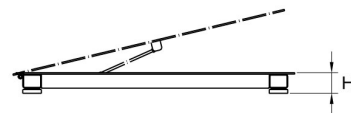
PL/4/H8/9/Z  
 PL/4/H9/Z  
PL/4/H10/Z



Platform	A	B	H
PL/4/H6	800	800	88 ±2
PL/4/H7	1000	1000	88 ±2
PL/4/H8	1200	1200	88 ±2
PL/4/H8/9	1200	1500	88 ±2
PL/4/H9	1500	1500	88 ±2
PL/4/H10	1500	2000	111 ±2

dimensions in mm

PL/4/H



Platform	A	B	H
PL/4/H6/Z	800	800	88 ±2
PL/4/H7/Z	1000	1000	88 ±2
PL/4/H8/Z	1200	1200	88 ±2
PL/4/H8/9/Z	1200	1500	88 ±2
PL/4/H9/Z	1500	1500	88 ±2
PL/4/H10/Z	1500	2000	111 ±2

dimensions in mm

PL/4/H/Z