



More information on the website  
[radwag.com/en/info,w1,UG8](http://radwag.com/en/info,w1,UG8)

# HX7.4N.300.H1.LD Multifunctional Stainless Steel Ramp Scale



The drawings, photos and graphics used are for illustrative purposes only.

## Functions



Dosing



Percent Weighing



Parts counting



Formulation



Replaceable unit



ALIBI Memory

## Datasheet

### Metrological parameters

Maximum capacity [Max]	300 kg
Minimum load	2 kg
Readability [d]	100 g
Verification unit [e]	100 g
Tare range	-300 kg
Max readability for non-verified scale	20 g
OIML Class	III

### Physical parameters

Display	7" graphic colour
---------	-------------------

Physical parameters	
Weighing pan dimensions	840×860 mm
Packaging dimensions	1390×1290×580 mm
Net weight	130 kg
Gross weight	212 kg
Cable length	3 m
Indicator	PUE HX7
Number of buttons	22
Construction	
Protection class	IP 68 construction, IP 66/68 indicator
Keypad	membrane
Construction	Stainless steel AISI304
Communication interface	
Communication interface	RS232, USB-A, 4IN, 4OUT, Ethernet, Modbus RTU
Optional interfaces	USB (M12 4P), Ethernet, module RS485, module RS232, module Profibus (Dp SLAVE), PROFINET (RRJ45), EtherNet/IP (RRJ45), 12 IN, 12 OUT, 4-20mA, 0-10V
Electrical parameters	
Power supply	100 – 240 V AC 50/60 Hz
Power consumption max.	25 W
Optional power supply	12-24V DC
Environmental conditions	
Operating temperature	-10 ÷ +40 °C
Storage temperature	-10 ÷ +50 °C
Relative humidity	10% ÷ 80% RH no condensation
Features of use	
Max number of platforms	2



Extra payment for verification



## Accessories

RS 232 cables (scale - printer)  
 RS 232 cables (scale - ZEBRA printer)  
 Displays  
 Power Adapters  
 RS 232, RS 485 cables  
 USB cable (scale - printer)  
 IN/OUT Cables  
 Barcode scanners

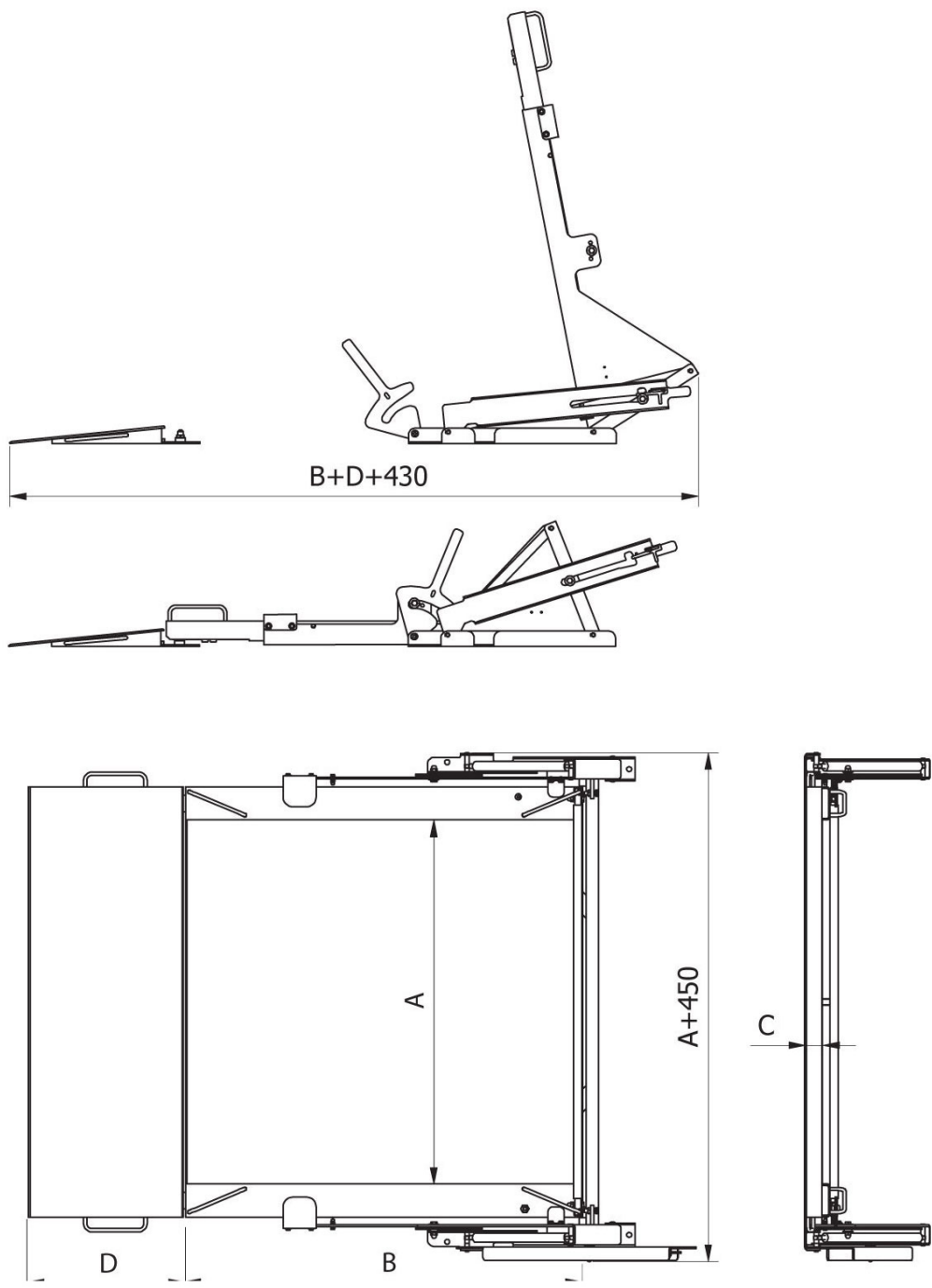
Label Printers  
 Stands, wall mounting kits and mounting brackets  
 Keypad, external switches  
 USB adapter  
 Receipt Printer  
 Additional Weighing platforms Module  
 RS 232 – USB Converter  
 Additional modules

## Software

- E2R Weighing [WX-010-0099]
- RAD Key [WX-010-0005]
- Alibi Reader [WX-010-0114]
- Scale Editor 2.1 [WX-010-0173]

- E2R Weighing Records [WX-010-0038]
- Label Editor R02 [WX-010-0094]
- R-Lab [WX-010-0080]
- RADWAG Development Studio [WX-010-0104]

## Device dimensions



	A [mm]	B [mm]	C [mm]	D [mm]
HX7.4N.150.H1.LD	840	860	45	426
HX7.4N.300.H1.LD	840	860	45	426
HX7.4N.600.H1.LD	840	860	45	426
HX7.4N.150.H2.LD	1100	1200	45	426
HX7.4N.300.H2.LD	1100	1200	45	426
HX7.4N.600.H2.LD	1100	1200	45	426
HX7.4N.300.H3.LD	1200	1500	45	426
HX7.4N.600.H3.LD	1200	1500	45	426
HX7.4N.1500.H2.LD	1100	1200	52	476
HX7.4N.1500.H3.LD	1200	1500	52	476
HX7.4N.300.H4.LD	1500	1500	52	476
HX7.4N.600.H4.LD	1500	1500	52	476
HX7.4N.1500.H4.LD	1500	1500	52	476