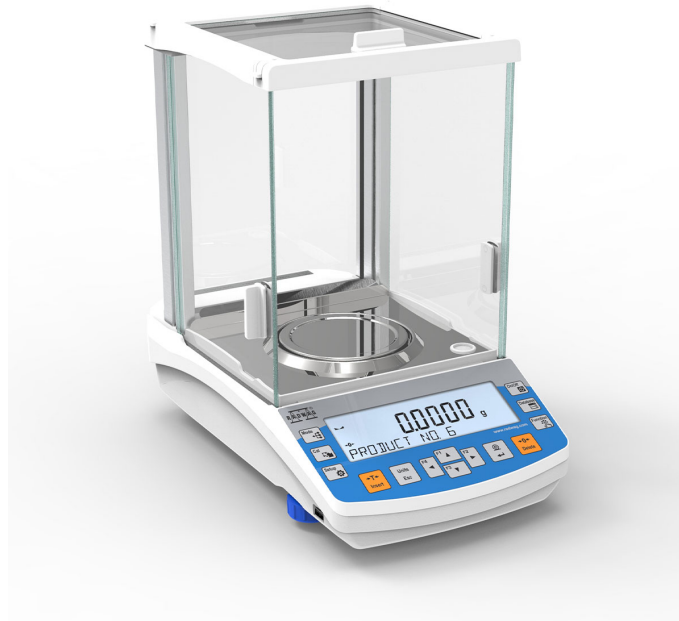




More information on the website
radwag.com/ja/info,w1,TY1

AS 110.R2 PLUS

WL-104-0175



The drawings, photos and graphics used are for illustrative purposes only.



Autotest



Dosing



Percent Weighing



Totalizing



Parts counting



Peak hold



Newton unit measurement



Statistics



Checkweighing



Under-pan weighing



GLP Procedures



Animal weighing



Density determination

[Max]	110 g
	10 mg
[d]	0,1 mg
[e]	1 mg
	-110 g
[5% Max]	0,06 mg

Electromagnetic Compatibility	
Electromagnetic Emission [Max]	0,08 mg
Electromagnetic (USP)	120 mg
Electromagnetic (U=1%, k=2)	12 mg
Electromagnetic [5% Max]	0,09 mg
Electromagnetic [Max]	0,1 mg
EMC	±0,2 mg
EMC	2 s
EMC	Electromagnetic (Electromagnetic)
OIML	I
General	
Electromagnetic	Electromagnetic
Electromagnetic	LCD (EM)
Electromagnetic	7 Electromagnetic
Electromagnetic	, , , , ,
Electromagnetic	ø100 mm
Electromagnetic	490×400×520 mm
Electromagnetic	7,3 kg
Electromagnetic	9 kg
Environment	
Environment	IP 43
Connectivity	
Connectivity	2×RS232 ¹ , 2×USB-A Electromagnetic, USB-B, Wi-Fi Electromagnetic
Power	
Power	Adapter: 100 – 240V AC 50/60Hz 0,6A; 12V DC 1,2A : 12 – 15V DC 0,4A max
Power max.	3 W
Temperature	
Temperature	+10 – +40 °C
Temperature	40% – 80%

* Wi-Fi® is a registered trademark of Wi-Fi® Alliance.



Additional fee for verification



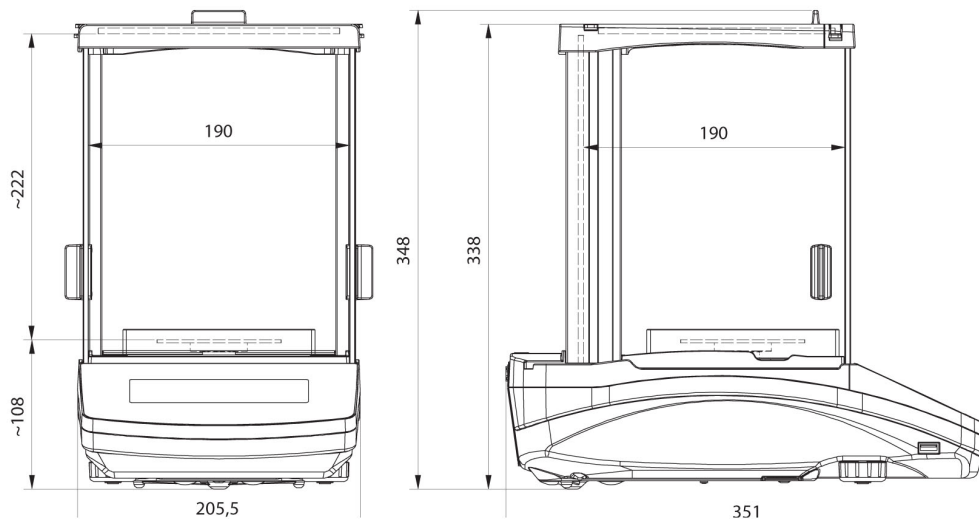
Additional Fee

USB cable (Type-C - Type-A)
 RS 232 RS 485
 RS 232 RS 485

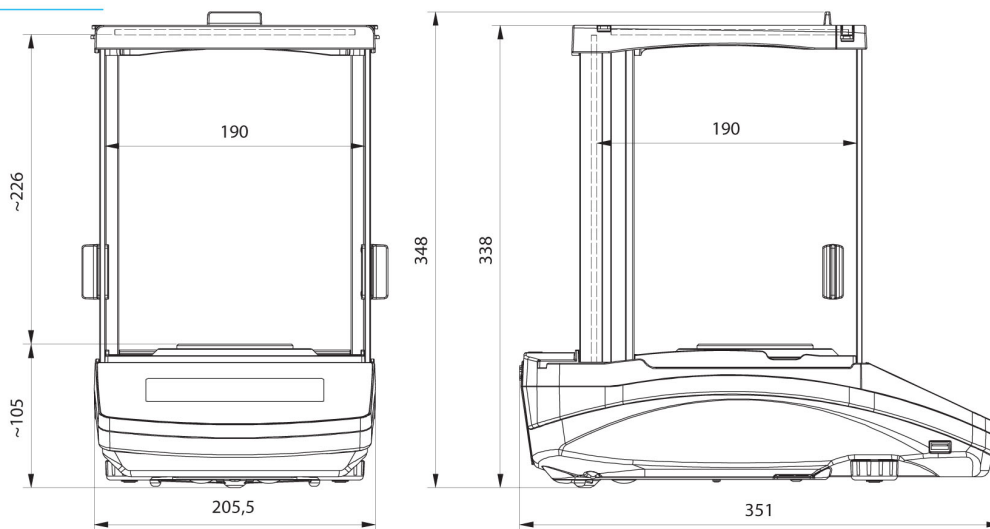
RS 232 RS 485
 RS 232 RS 485
 RS 232 RS 485

(Additional Fee)

- [WX-010-0005]
- [WX-010-0114]
- [WX-010-0104]
- [WX-010-0187]
- [WX-010-0080]



AS R2, d = 0.01 mg



AS R2, AS R1 d = 0.1 mg