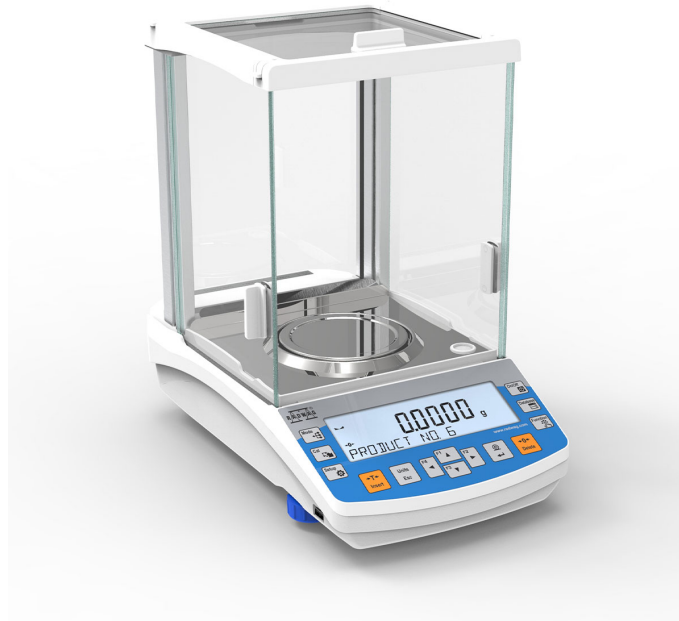




More information on the website
radwag.com/ja/info,w1,TY1

AS 110.R2 PLUS

WL-104-0175



The drawings, photos and graphics used are for illustrative purposes only.



Autotest



Dosing



Percent Weighing



Totalizing



Parts counting



Peak hold



Newton unit measurement



Statistics



Checkweighing



Under-pan weighing



GLP Procedures



Animal weighing



Density determination

[Max]	110 g
	10 mg
[d]	0,1 mg
[e]	1 mg
	-110 g
[5% Max]	0,06 mg

Electromagnetic Compatibility	
Electromagnetic Emission [Max]	0,08 mg
Electromagnetic Emission (USP)	120 mg
Electromagnetic Emission (U=1%, k=2)	12 mg
Electromagnetic Emission [5% Max]	0,09 mg
Electromagnetic Immunity [Max]	0,1 mg
Temperature	±0,2 mg
Response Time	2 s
Power	Electromagnetic (Electromagnetic)
OIML Class	I
General Information	
Electromagnetic Emission	Electromagnetic
Display	LCD (Color)
Resolution	700x1000 pixels
Buttons
Display Diameter	ø100 mm
Dimensions	490x400x520 mm
Weight	7,3 kg
Capacity	9 kg
Environmental	
Protection Class	IP 43
Connectivity	
Connectivity	2xRS232 ¹ , 2xUSB-A (Type-C), USB-B, Wi-Fi (802.11n)
Power	
Power Adapter	Adapter: 100 – 240V AC 50/60Hz 0,6A; 12V DC 1,2A : 12 – 15V DC 0,4A max
Power max.	3 W
Operating Conditions	
Operating Temperature	+10 – +40 °C
Operating Humidity	40% – 80%

* Wi-Fi® is a registered trademark of Wi-Fi® Alliance.



Additional fee for verification



Additional Fee

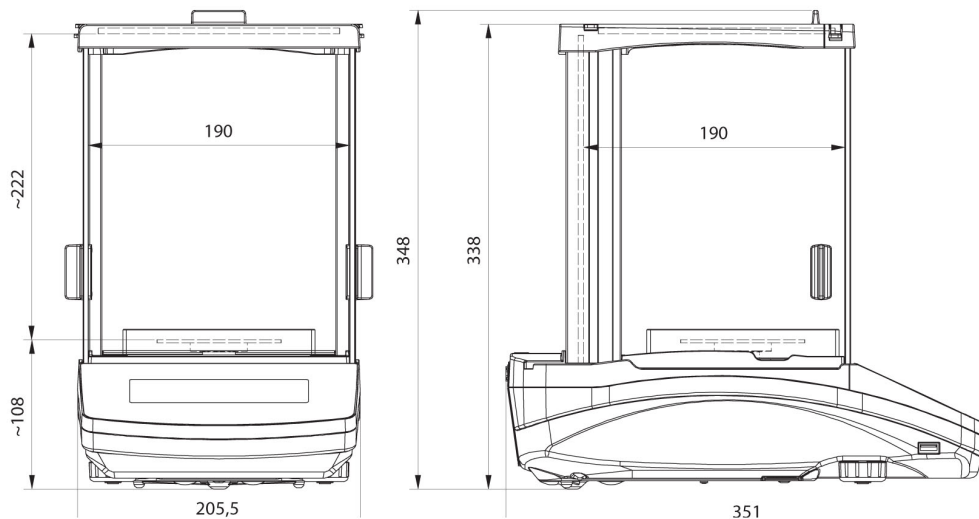
USB cable (Type-C - Type-C)
 RS 232/RS 485 cable
 RS 232/RS 485 cable

RS 232/RS 485 cable
 RS 232/RS 485 cable
 RS 232/RS 485 cable

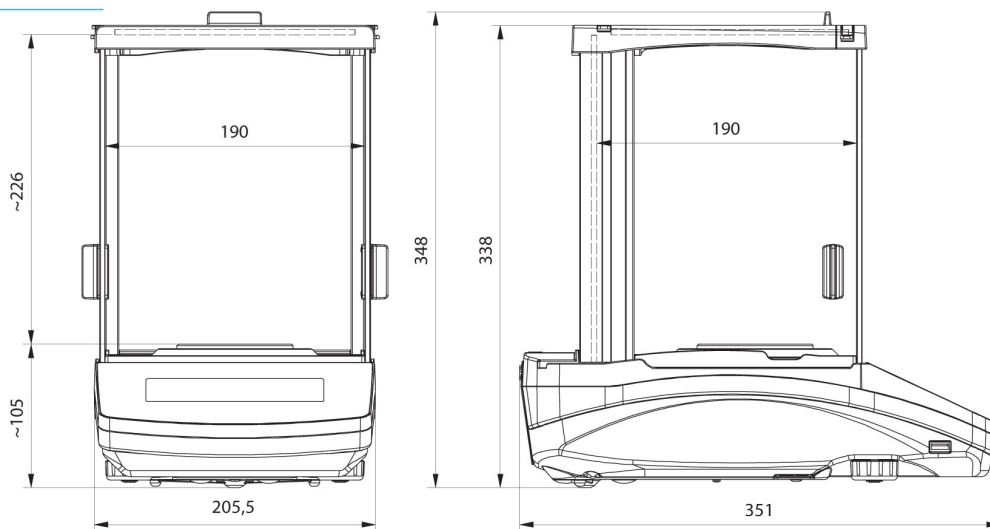
(Additional Fee)

- [WX-010-0005]
- [WX-010-0114]
- [WX-010-0104]

- [WX-010-0187]
- [WX-010-0080]



AS R2, d = 0.01 mg



AS R2, AS R1 d = 0.1 mg