



More information on the website
radwag.com/en/info,w1,TS4

Ramp for C10 3000kg Scale



The drawings, photos and graphics used are for illustrative purposes only.

Datasheet

Metrological parameters	
Max readability for non-verified scale	200 g
Construction	
Material	mild steel
Physical parameters	
Platform size	1500×1460 mm

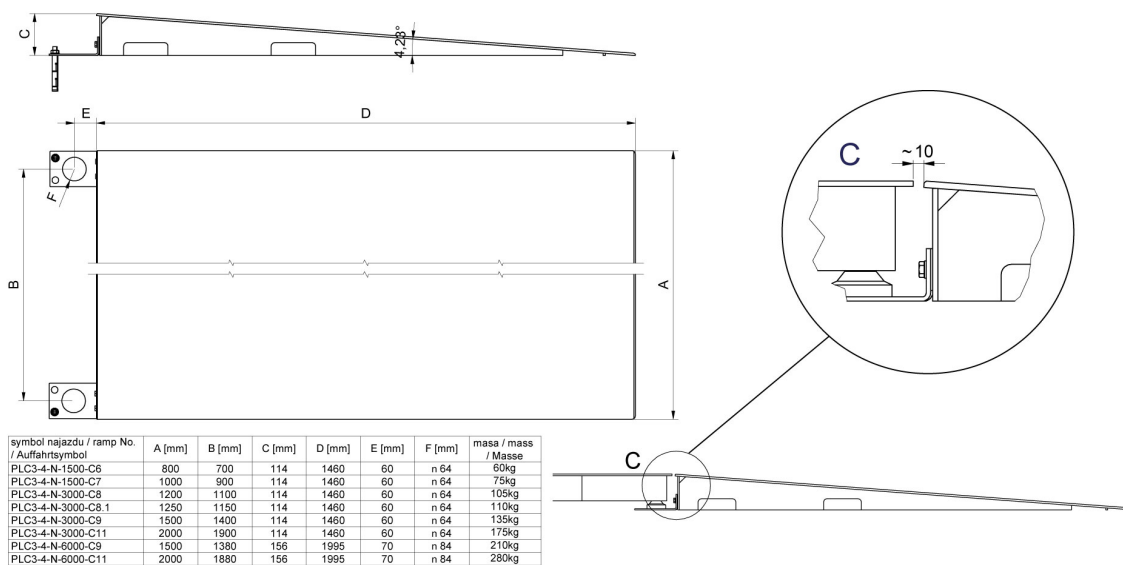


Compatible with

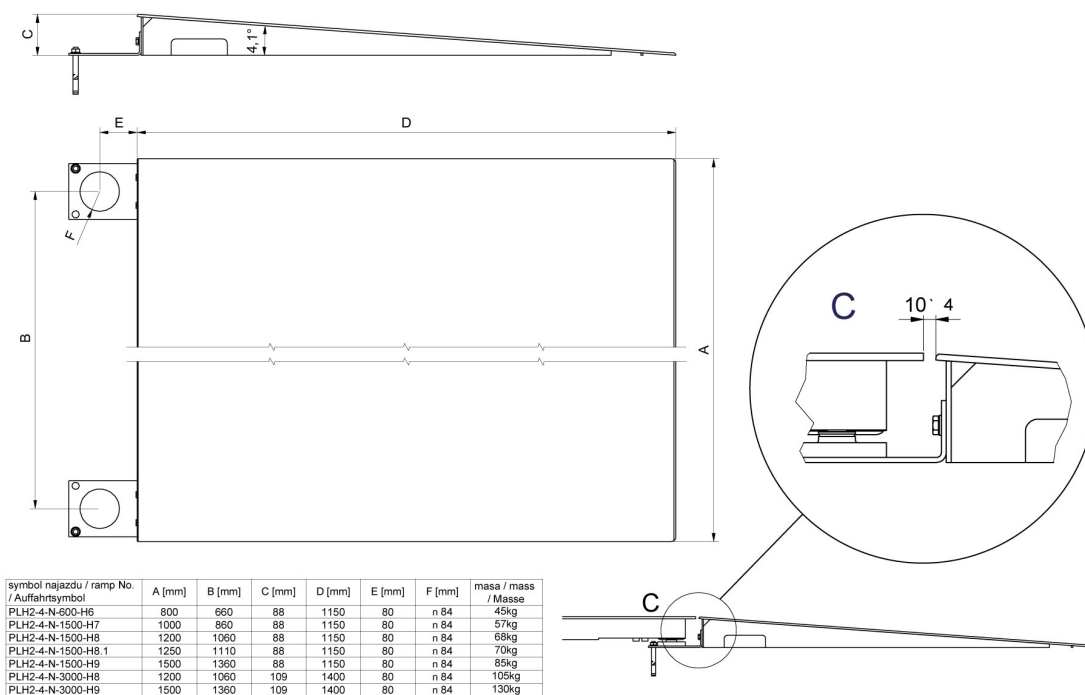
HX7.4C Multifunctional Platform Scale
 C315.4 Platform Scale

H315 4C Platform Scale

Device dimensions



Ramps made of powder-coated steel



Ramps made of stainless steel