



More information on the website  
[radwag.com/en/info,w1,SLX](http://radwag.com/en/info,w1,SLX)

# C315.30.C2.R Load Cell Platform Scale



The drawings, photos and graphics used are for illustrative purposes only.

## Functions

 Plus/Minus Control

 Percent Weighing

 Totalizing

 Parts counting

 Internal battery

 Peak hold

 Newton unit measurement

 GLP Procedures

 Animal weighing

 ALIBI Memory

## Datasheet

| Metrological parameters                |        |
|--|--------|
| Maximum capacity [Max]                 | 30 kg  |
| Minimum load                           | 200 g  |
| Readability [d]                        | 10 g   |
| Verification unit [e]                  | 10 g   |
| Tare range                             | -30 kg |
| Max readability for non-verified scale | 1 g    |
| OIML Class                             | III    |

| Physical parameters         |                                     |
|-----------------------------|-------------------------------------|
| Display                     | LCD (backlit)                       |
| Weighing pan dimensions     | 400×500 mm                          |
| Packaging dimensions        | 720×620×210 mm                      |
| Net weight                  | 12.5 kg                             |
| Gross weight                | 13.5 kg                             |
| Construction                |                                     |
| Protection class            | IP 65 construction, IP 43 terminal  |
| Construction                | mild steel St3S                     |
| Weighing pan material       | Stainless steel AISI304             |
| Communication interface     |                                     |
| Communication interface     | RS232                               |
| Optional interfaces         | RS232                               |
| Electrical parameters       |                                     |
| Power supply                | 100 – 240 V AC 50/60 Hz and battery |
| Power consumption max.      | 5 W                                 |
| Operation time on batteries | max 8h                              |
| Environmental conditions    |                                     |
| Operating temperature       | -10 – +40 °C                        |
| Storage temperature         | -10 – +50 °C                        |
| Relative humidity           | 10% – 85% RH no condensation        |
| Indicator                   | C315                                |



Extra payment for verification



## Accessories

Antivibration Tables  
 Power Adapters  
 RS 232 cables (scale - printer)  
 Cigarette lighter receptacle power supply cables  
 Displays  
 Displays  
 RS 232, RS 485 cables  
 RS 232 – Ethernet Converter

AP2-1 Current Loop Unit  
 RS 232, RS 485 cables  
 RS 232 – USB Converter  
 RS 232 cables (scale - printer)  
 RS 232 – RS 485 Converter  
 Receipt Printer  
 Stands, wall mounting kits and mounting brackets

## Software

- RAD Key [WX-010-0005]
- R-Lab [WX-010-0080]

- R-Panel [WX-010-0187]
- Scale Editor 2.1 [WX-010-0173]

## Device dimensions



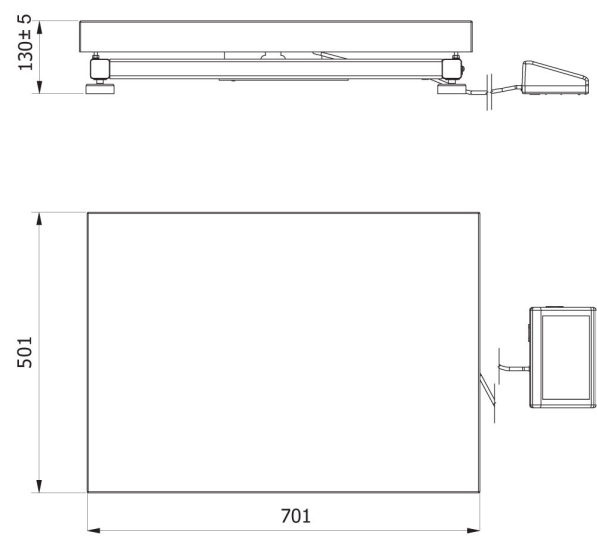
C315.C2.R



C315.C2.K



C315.C3.M



C315.C3.K