



More information on the website  
radwag.com/en/info,w1,RAP

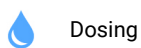
# HX7.4.300.H6 Multifunctional Stainless Steel Platform Scale, pit version

WP-225-0002



The drawings, photos and graphics used are for illustrative purposes only.

## Functions



Dosing



Percent Weighing



Parts counting



Formulation



Replaceable unit



ALIBI Memory

## Datasheet

Metrological parameters	
Maximum capacity [Max]	300 kg
Minimum load	2 kg
Readability [d]	100 g
Verification unit [e]	100 g
Tare range	-300 kg
Max readability for non-verified scale	20 g
OIML Class	III

Physical parameters	
Display	7" graphic colour
Cable length	3 m
Weighing pan dimensions	800×800 mm
Packaging dimensions	820×1250×490 mm
Net weight	59.7 kg
Gross weight	81.3 kg
Construction	
Protection class	IP 66 / 69 construction, IP 66 / 67 terminal
Keypad	membrane
Construction	Stainless steel AISI304
Communication interface	
Communication interface	RS232, USB-A, 4IN, 4OUT, Ethernet, Modbus RTU
Optional interfaces	USB (M12 4P), Ethernet, module RS485, module RS232, module Profibus (Dp SLAVE), PROFINET (RRJ45), EtherNet/IP (RRJ45), 12 IN, 12 OUT, 4-20mA, 0-10V
Electrical parameters	
Power supply	100 – 240 V AC 50/60 Hz
Power consumption max.	25 W
Optional power supply	12 – 24 V DC
Environmental conditions	
Operating temperature	-10 – +40 °C
Storage temperature	-10 – +50 °C
Relative humidity	10% – 80% RH no condensation
Indicator	PUE HX7
Number of buttons	22
Features of use	
Max number of platforms	2



Additional fee for verification



## Accessories (Additional Fee)

RS 232 cables (scale - printer)  
 RS 232 cables (scale - ZEBRA printer)  
 Ramps  
 Displays  
 Power Adapters  
 RS 232, RS 485 cables  
 USB cable (scale - printer)  
 IN/OUT Cables  
 Barcode scanners

Label Printers  
 Stands, wall mounting kits and mounting brackets  
 Frame for embedded scales  
 Keypad, external switches  
 USB adapter  
 Receipt Printer  
 Additional Weighing platforms Module  
 RS 232 – USB Converter  
 Additional modules

## Software (Additional Fee)

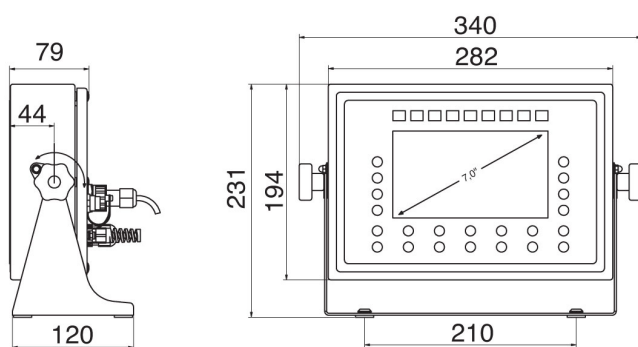
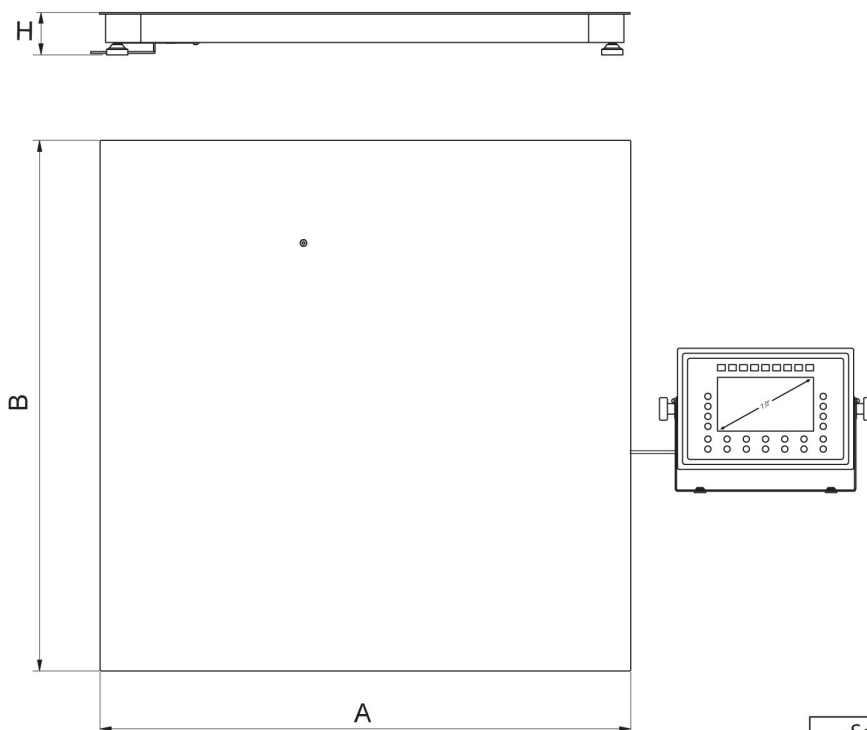
• E2R Weighing [WX-010-0099]

• E2R Weighing Records [WX-010-0038]

- RAD Key [WX-010-0005]
- Alibi Reader [WX-010-0114]
- Scale Editor 2.1 [WX-010-0173]

- Label Editor R02 [WX-010-0094]
- R-Lab [WX-010-0080]
- RADWAG Development Studio [WX-010-0104]

## Device dimensions



Scale type	A [mm]	B [mm]	H [mm]
HX7.4.300.H6	800	800	88 ±2
HX7.4.600.H6	800	800	88 ±2
HX7.4.300.H7	1000	1000	88 ±2
HX7.4.600.H7	1000	1000	88 ±2
HX7.4.1500.H7	1000	1000	88 ±2
HX7.4.1500.H8	1200	1200	88 ±2
HX7.4.3000.H8	1200	1200	111 ±2
HX7.4.1500.H8/9	1200	1500	88 ±2
HX7.4.3000.H8/9	1200	1500	111 ±2
HX7.4.1500.H9	1500	1500	88 ±2
HX7.4.3000.H9	1500	1500	111 ±2
HX7.4.3000.H10	1500	2000	111 ±2
HX7.4.6000.H10	1500	2000	166 ±2

\* dimensions in mm