



More information on the website
radwag.com/us/info,w1,R54

MWSH 6000 Weighing Module



The drawings, photos and graphics used are for illustrative purposes only.

Datasheet

Maximum capacity [Max]	6000 g
Minimum load	500 mg
Preload range	600 g
Readability [d]	0,01 g
Tare range	-6000 g
Repeatability	15 mg
Linearity	±30 mg
Stabilization time	1,5 s
Adjustment	internal (automatic)
Construction	
Protection class	IP 65
Housing	aluminum, Stainless steel
Communication interface	RS232, RS485, Ethernet, 2 IN / 2 OUT, PROFIBUS (option), PROFINET (option)

Power supply	100 – 240 V AC 50/60 Hz
Operating temperature	+10 – +40 °C
Relative humidity	15% – 80%
Physical parameters	
Weighing pan dimensions	100×100 mm
Device dimensions	336×175×96 mm
Packaging dimensions	580×335×280 mm

Accessories

RS 232 cables (scale - Ethernet)
RS 232, RS 485 cables
IN/OUT Cables

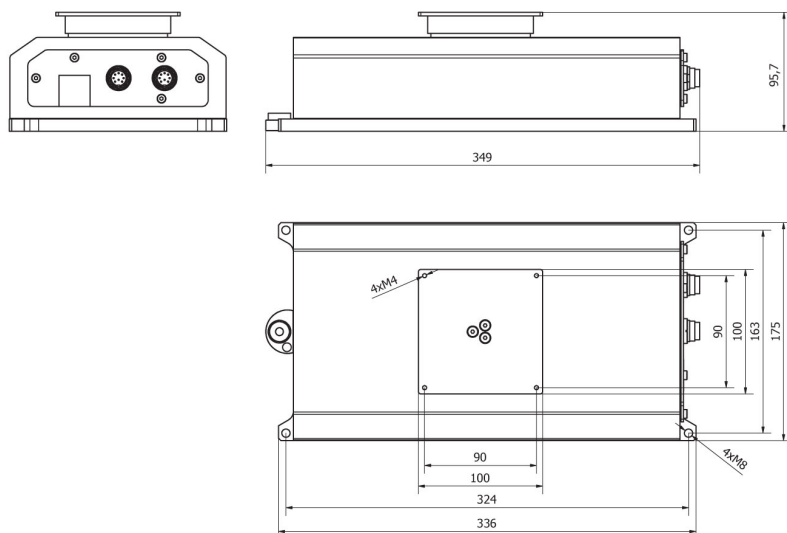
Powerbanks
RS 232 – USB Converter

Software

• MWMH Manager [WX-010-0103]
• Scale Editor - EWAG 2.1 [WX-010-0173]

• RAD Key [WX-010-0005]
• RADWAG Development Studio [WX-010-0104]

Device dimensions



[MWSH](#)